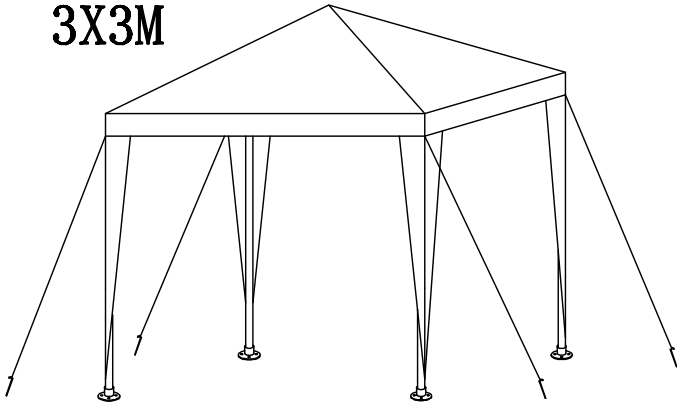


**3X3M**



- |   |  |     |  |     |  |     |
|---|--|-----|--|-----|--|-----|
| ① |  | X 4 |  | X 1 |  | X 4 |
| ② |  | X 4 |  | X 4 |  | X 8 |
| ③ |  | X 8 |  | X 4 |  |     |
| ④ |  | X 4 |  |     |  |     |
| ⑤ |  | X 4 |  |     |  | X 1 |
| ⑥ |  | X 4 |  |     |  |     |

