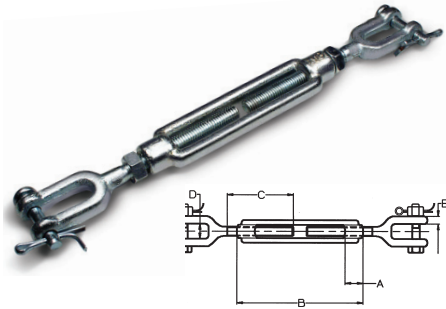
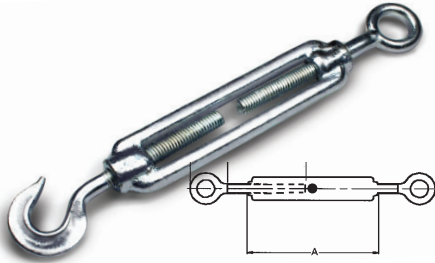


TENSOR CINCADO GANCHO/ANILLA DIN 1480**TENSOR CINCADO HORQUILLA/HORQUILLA DIN 1480**

TGA

THH

Medida	Denom. TGA	Referencia	Envase	Embalaje	Carga Trabajo S.W.L.(Kg)	Medida Equival.	A	B	C	D	E	F
M 5	TGA 105	0952110-0	50	400	50	3/16"	9	79	19	40	40	19
M 6	TGA 106	0952111-9	50	300	75	1/4"	10	88	24	50	50	24
M 8	TGA 108	0952112-7	25	150	165	5/16"	12	110	28	52	52	28
M 10	TGA 110	0952113-5	25	75	235	3/8"	15	130	37	60	62	37
M 11	TGA 111	0952114-3	25	25	280	7/16"	17	135	37	65	65	37
M 12	TGA 112	0952115-1	10	50	320	1/2"	18	140	39	67	65	39
M 14	TGA 114	0952116-0	10	40	420	9/16"	21	155	43	83	82	43
M 16	TGA 116	0952117-8	10	10	530	5/8"	27	170	63	97	105	63
M 20	TGA 120	0952118-6	5	5	730	3/4"	34	200	74	116	110	74
M 22	TGA 122	0952119-4	1	25	1120	7/8"	36	220	80	120	125	80
M 24	TGA 124	0952120-7	1	30	1550	1"	39	255	85	125	135	85
M 27	TGA 127	0952121-5	1	20	1870	1 1/16"	45	255	86	150	135	86
M 30	TGA 130	0952122-3	1	20	2240	1 1/4"	45	255	90	150	145	90
M 32	TGA 132	0952123-1	1	15	2850	1 5/16"	45	255	92	150	145	92
M 36	TGA 136	0952124-0	1	15	3530	1 1/2"	55	295	116	150	170	116

Medida	Denom. THH	Referencia	Envase	Embalaje	Carga Trabajo S.W.L.(Kg)	Medida Equival.	A	B	C	D	E
M 6	THH 106	0952130-3	25	150	230	3/16"	10	88	60	8	4
M 8	THH 108	0952131-1	25	75	440	5/16"	14	110	70	10	5
M 10	THH 110	0952132-0	10	40	440	3/8"	15	130	80	12	6
M 12	THH 112	0952133-8	10	10	600	1/2"	18	140	90	16	7
M 14	THH 114	0952134-6	10	10	600	9/16"	20	170	95	18	7,5
M 16	THH 116	0952135-4	5	5	800	5/8"	22	190	100	20	8
M 20	THH 120	0952136-2	5	5	1660	3/4"	30	220	110	24	10
M 22	THH 122	0952137-0	1	40	2600	7/8"	33	242	120	28	12
M 24	THH 124	0952138-9	1	15	2600	1"	39	255	125	30	13
M 27	THH 127	0952139-7	1	1	2600	1 1/16"	43	300	130	32	14
M 30	THH 130	0952140-0	1	4	3400	1 1/4"	45	255	140	36	16
M 32	THH 132	0952141-8	1	1	4000	1 5/16"	48	300	150	40	19
M 36	THH 136	0952142-6	1	1	4800	1 1/2"	55	295	170	45	22