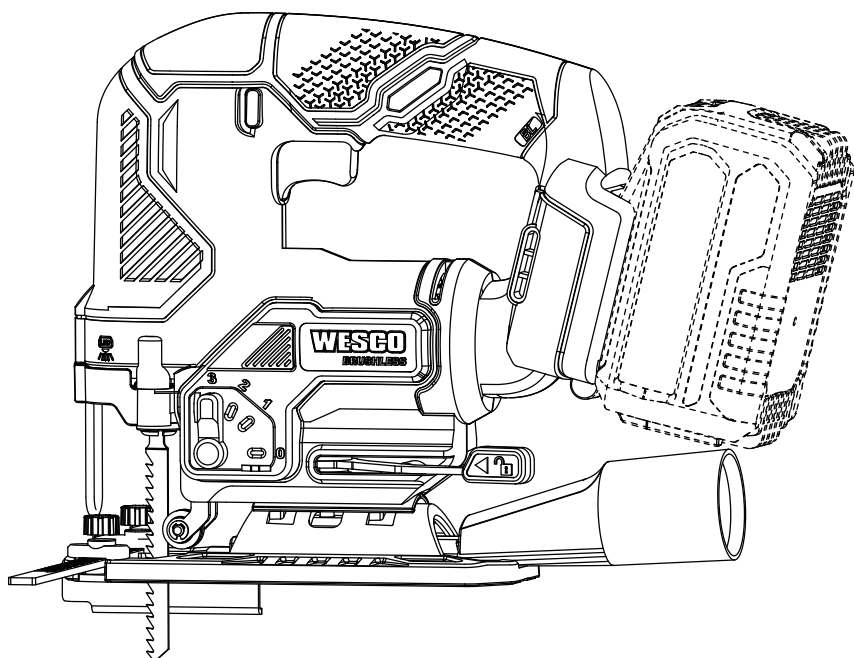


WESCO

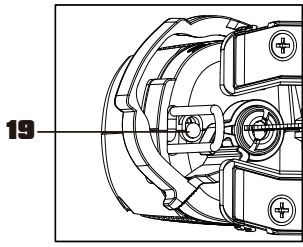
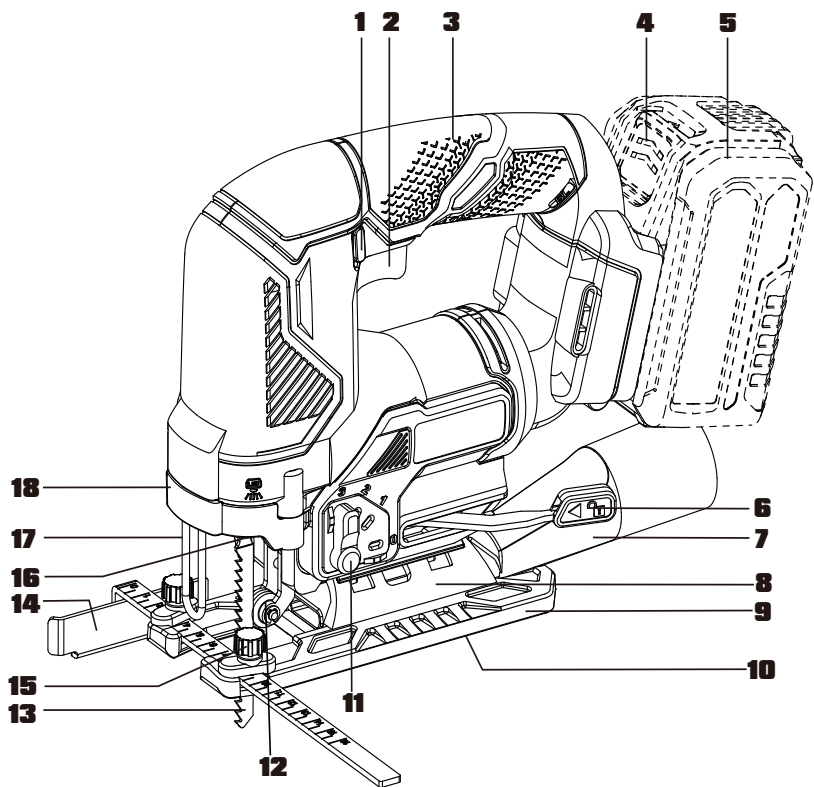


WS2308.9 (CSJ18BW.9)

2 YEAR
Warranty

• Cordless jig saw	EN	P06
• Akku-Stichsäge	DE	P12
• Scie sauteuse sans fil	FR	P18
• Seghetto Alternativo a Batteria	IT	P24
• Sierra de calar a batería	ES	P30
• Акумулаторен прободен трион	BG	P36

Original instructions	EN
Originalbetriebsanleitung	DE
Notice originale	FR
Istruzioni originali	IT
Manual original	ES
Оригинални инструкции	BG



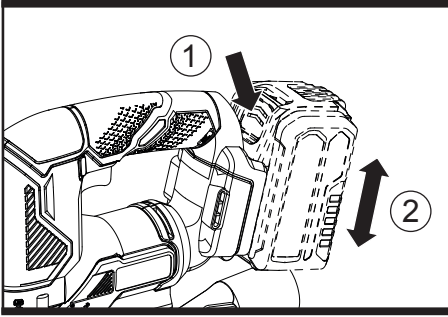


Fig.A

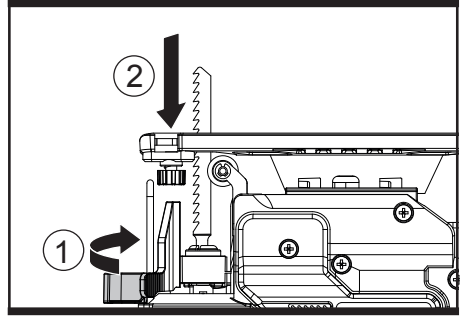


Fig.B

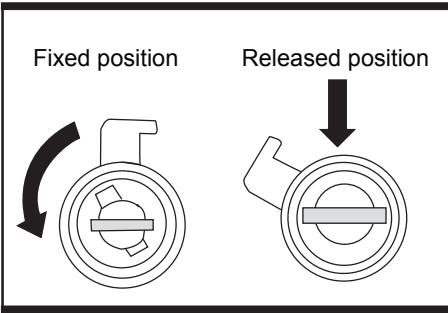


Fig.C

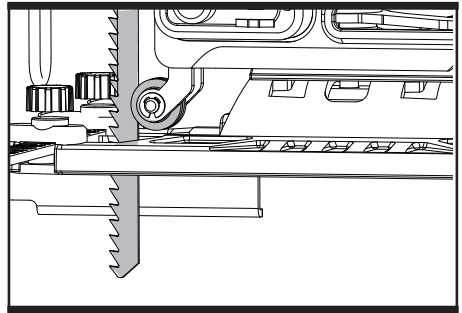


Fig.D

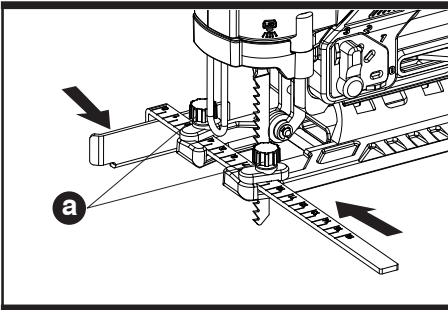


Fig.E

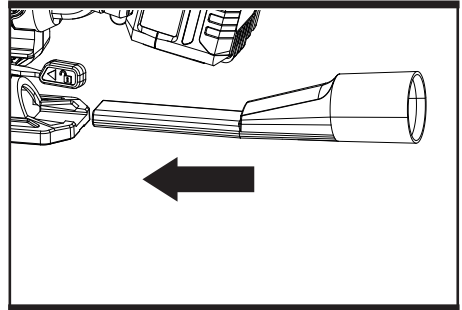


Fig.F

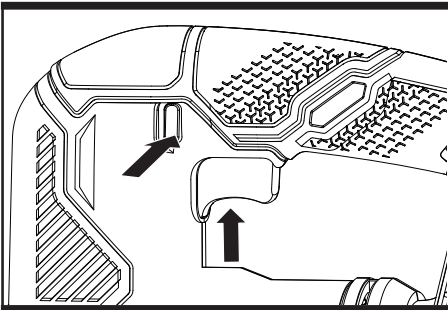


Fig.G

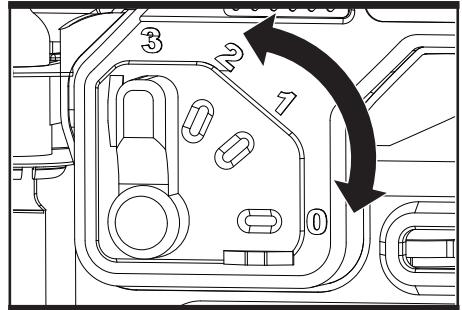


Fig.H

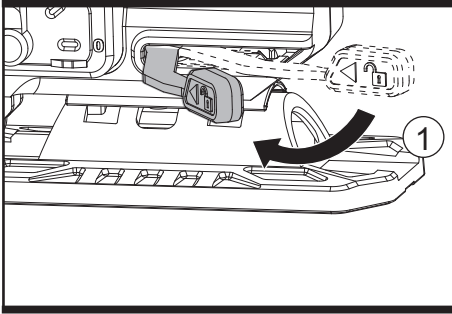


Fig.I1

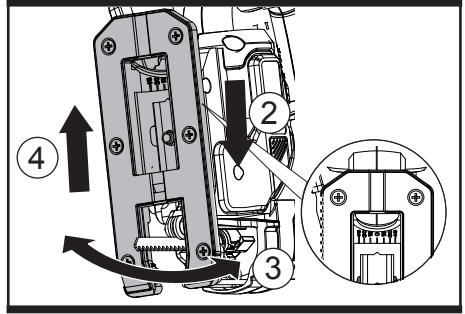


Fig.I2

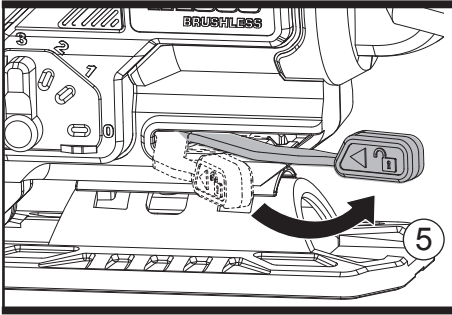


Fig.I3

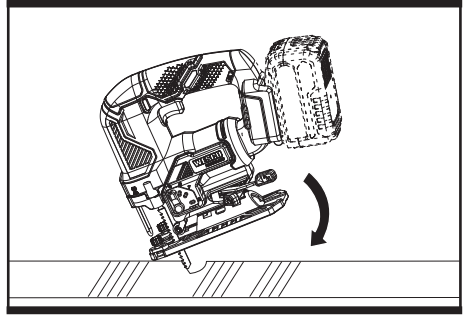


Fig.J1

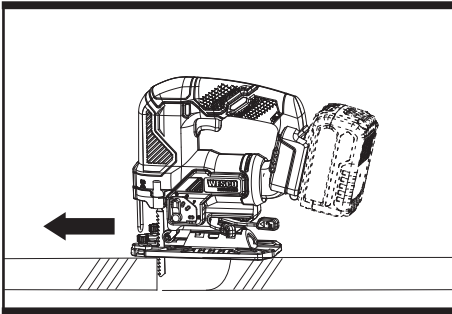


Fig.J2

COMPONENT LIST

1. Lock button
2. On/off switch
3. Hand grip area
4. Battery pack release button*
5. Battery pack*
6. SDS plate spanner
7. Dust adapter
8. Angle plate
9. Base plate
10. Plastic foot plate protection
11. Pendulum action control
12. Roller guide
13. Saw blade
14. Parallel guide
15. Locking knob
16. Tool-free blade holder
17. Finger protection tool
18. Tool-free blade holder lever
19. LED light

* Not all the accessories illustrated or described are included in standard delivery.

TECHNICAL DATA

Type WS2308.9 (23-designation of machinery, representative of cordless jig saw)

Rated voltage		18V Li-Ion
No-load speed		0-3500 /min
Stroke length		26mm
Bevel capacity		$\pm 45^\circ$
Cutting capacity	Wood	120mm
	Steel	10mm
Machine weight (Bare tool)		2.2 kg

NOISE INFORMATION

A weighted sound pressure

A weighted sound power

K_{PA} & K_{WA}

Wear ear protection.

$L_{PA} = 85 \text{ dB(A)}$

$L_{WA} = 93 \text{ dB(A)}$

5 dB(A)

VIBRATION INFORMATION

Vibration total values (triax vector sum) determined according to EN 62841:

Cutting boards	Vibration emission value $a_{h,b} = 6.83 \text{ m/s}^2$
	Uncertainty $K = 1.5 \text{ m/s}^2$

Cutting sheet metal	Vibration emission value $a_{h,m} = 6.49 \text{ m/s}^2$
	Uncertainty $K = 1.5 \text{ m/s}^2$

The declared vibration total value and the declared noise emission value have been measured in accordance with a standard test method and may be used for comparing one tool with another.
 The declared vibration total value and the declared noise emission value may also be used in a preliminary assessment of exposure.

WARNING: The vibration and noise emissions during actual use of the power tool can differ from the declared value depending on the ways in which the tool is used especially what kind of workpiece is processed dependant on the following examples and other variations on how the tool is used:
 How the tool is used and the materials being cut or drilled.
 The tool being in good condition and well maintained.
 The use of the correct accessory for the tool and ensuring it is sharp and in good condition.
 The tightness of the grip on the handles and if any anti vibration and noise accessories are used.
 And the tool is being used as intended by its design and these instructions.

This tool may cause hand-arm vibration syndrome if its use is not adequately managed.

WARNING: To be accurate, an estimation of exposure level in the actual conditions of use should also take account of all parts of the operating cycle such as the times when the tool is switched off and when it is running idle but not actually doing the job. This may significantly reduce the exposure level over the total working period.
 Helping to minimise your vibration and noise exposure risk.
 Always use sharp chisels, drills and blades.
 Maintain this tool in accordance with these instructions and keep well lubricated (where appropriate).
 If the tool is to be used regularly then invest in anti vibration and noise accessories.
 Plan your work schedule to spread any high vibration tool use across a number of days.

ACCESSORIES

Dust adapter	1
Parallel guide	1
Base cover	1
Wood cutting blade	1

We recommend that you purchase your accessories from the same store that sold you the tool. Refer to the accessory packaging for further details. Store personnel can assist you and offer advice.

PRODUCT SAFETY

GENERAL POWER TOOL SAFETY WARNINGS



WARNING! Read all safety warnings, instructions, illustrations and specifications provided with this power tool. Failure to follow all instructions listed below may result in electric shock, fire and/or serious injury.

Save all warnings and instructions for future reference.

The term "power tool" in the warnings refers to your mains-operated (corded) power tool or battery-operated (cordless) power tool.

1. WORK AREA SAFETY

- a) **Keep work area clean and well lit.** Cluttered or dark areas invite accidents.
- b) **Do not operate power tools in explosive atmospheres, such as in the presence of flammable liquids, gases or dust.** Power tools create sparks which may ignite the dust or fumes.
- c) **Keep children and bystanders away while operating a power tool.** Distractions can cause you to lose control.

2. ELECTRICAL SAFETY

- a) **Power tool plugs must match the outlet. Never modify the plug in any way. Do not use any adapter plugs with earthed (grounded) power tools.** Unmodified plugs and matching outlets will reduce risk of electric shock.
- b) **Avoid body contact with earthed or grounded surfaces, such as pipes, radiators, ranges and refrigerators.** There is an increased risk of electric shock if your body is earthed or grounded.
- c) **Do not expose power tools to rain or wet conditions.** Water entering a power tool will increase the risk of electric shock.
- d) **Do not abuse the cord. Never use the cord for carrying, pulling or unplugging the power tool. Keep cord away from heat, oil, sharp edges or moving parts.** Damaged or entangled cords increase the risk of electric shock.
- e) **When operating a power tool outdoors, use an extension cord suitable for outdoor use.** Use of a cord suitable for outdoor use reduces the risk of electric shock.
- f) **If operating a power tool in a damp location is unavoidable, use a residual current device (RCD) protected supply.** Use of an RCD reduces the risk of electric shock.

3. PERSONAL SAFETY

- a) **Stay alert, watch what you are doing and use common sense when operating a power tool. Do not use a power tool while you are tired or under the influence of drugs, alcohol or medication.** A moment of inattention while operating power tools may result in serious personal injury.
- b) **Use personal protective equipment. Always wear eye protection.** Protective equipment such as dust mask, non-skid safety shoes, hard hat, or hearing protection used for appropriate conditions will reduce personal injuries.
- c) **Prevent unintentional starting. Ensure the switch is in the off-position before connecting to power source and/or battery pack, picking up or carrying the tool. Carrying power tools with your finger on the switch or energising power tools that have the switch on invites accidents.**
- d) **Remove any adjusting key or wrench before turning the power tool on.** A wrench or a key left attached to a rotating part of the power tool may result in personal injury.

- e) **Do not overreach. Keep proper footing and balance at all times.** This enables better control of the power tool in unexpected situations.
- f) **Dress properly. Do not wear loose clothing or jewellery. Keep your hair and clothing away from moving parts.** Loose clothes, jewellery or long hair can be caught in moving parts.
- g) **If devices are provided for the connection of dust extraction and collection facilities, ensure these are connected and properly used.** Use of dust collection can reduce dust-related hazards.
- h) **Do not let familiarity gained from frequent use of tools allow you to become complacent and ignore tool safety principles.** A careless action can cause severe injury within a fraction of a second.

4. POWER TOOL USE AND CARE

- a) **Do not force the power tool. Use the correct power tool for your application.** The correct power tool will do the job better and safer at the rate for which it was designed.
- b) **Do not use the power tool if the switch does not turn it on and off.** Any power tool that cannot be controlled with the switch is dangerous and must be repaired.
- c) **Disconnect the plug from the power source and/or remove the battery pack, if detachable, from the power tool before making any adjustments, changing accessories, or storing power tools.** Such preventive safety measures reduce the risk of starting the power tool accidentally.
- d) **Store idle power tools out of the reach of children and do not allow persons unfamiliar with the power tool or these instructions to operate the power tool.** Power tools are dangerous in the hands of untrained users.
- e) **Maintain power tools and accessories. Check for misalignment or binding of moving parts, breakage of parts and any other condition that may affect the power tool's operation.** If damaged, have the power tool repaired before use. Many accidents are caused by poorly maintained power tools.
- f) **Keep cutting tools sharp and clean.** Properly maintained cutting tools with sharp cutting edges are less likely to bind and are easier to control.
- g) **Use the power tool, accessories and tool bits etc. in accordance with these instructions, taking into account the working conditions and the work to be performed.** Use of the power tool for operations different from those intended could result in a hazardous situation.
- h) **Keep handles and grasping surfaces dry, clean and free from oil and grease.** Slippery handles and grasping surfaces do not allow for safe handling and control of the tool in unexpected situations.

5. BATTERY TOOL USE AND CARE

- a) **Recharge only with the charger specified by the manufacturer.** A charger that is suitable for one type of battery pack may create a risk of fire when used with another battery pack.
- b) **Use power tools only with specifically designated battery packs.** Use of any other battery packs may create a risk of injury and fire.
- c) **When battery pack is not in use, keep it away from other metal objects, like paper clips, coins, keys, nails, screws or other small metal objects, that can make a connection from one terminal to another.** Shorting the battery terminals together may cause burns or a fire.

- d) Under abusive conditions, liquid may be ejected from the battery; avoid contact. If contact accidentally occurs, flush with water. If liquid contacts eyes, additionally seek medical help. Liquid ejected from the battery may cause irritation or burns.
 - e) Do not use a battery pack or tool that is damaged or modified. Damaged or modified batteries may exhibit unpredictable behaviour resulting in fire, explosion or risk of injury.
 - f) Do not expose a battery pack or tool to fire or excessive temperature. Exposure to fire or temperature above 130 °C may cause explosion.
 - g) Follow all charging instructions and do not charge the battery pack or tool outside the temperature range specified in the instructions. Charging improperly or at temperatures outside the specified range may damage the battery and increase the risk of fire.
- 6. SERVICE**
- a) Have your power tool serviced by a qualified repair person using only identical replacement parts. This will ensure that the safety of the power tool is maintained.
 - b) Never service damaged battery packs. Service of battery packs should only be performed by the manufacturer or authorized service providers.

JIG SAW SAFETY WARNINGS

1. Hold jig saw by insulated gripping surfaces, when performing an operation where the cutting accessory may contact hidden wiring. Cutting accessory contacting a "live" wire may make exposed metal parts of the power tool "live" and could give the operator an electric shock.
2. Use clamps or another practical way to secure and support the workpiece to a stable platform. Holding the workpiece by hand or against your body leaves it unstable and may lead to loss of control.

SYMBOLS



To reduce the risk of injury, user must read instruction manual



Wear eye protection



Wear ear protection



Wear dust mask



Warning



Waste electrical products must not be disposed of with household waste. Please recycle where facilities exist. Check with your local authorities or retailer for recycling advice.

OPERATING INSTRUCTIONS



NOTE: Before using the tool, read the instruction book carefully.

INTENDED USE

The machine is intended for sawing wood, plastic, metal and building materials while resting firmly on the workpiece. It is suitable for straight and curved cuts with bevel angles to 45°. The saw blade recommendations are to be observed.

ASSEMBLY

1. TO REMOVE OR INSTALL BATTERY PACK (NOT SUPPLIED)(SEE FIG. A)

Depress the battery pack release button to release and slide the battery pack out from your tool. After recharge, slide it back into your tool. A simple push and slight pressure will be sufficient.

2. FITTING THE SAW BLADE (SEE FIG. B, C)

Rotate the tool-free blade holder lever (Jigsaw upside down) and hold in position. Then fully insert the blade into the tool-free blade holder slot with blade teeth facing forward and release the blade holder lever, which will clamp over the top of the blade. Ensure the tool-free blade holder is locked in place. Try to pull the blade out of the blade holder again to ensure it is locked in position. Ensure the edge of the blade is located in the groove of the blade guide. To remove a blade, rotate the tool-free blade holder lever again and then lift out the blade.



WARNING: Blade teeth are very sharp. For best cutting results ensure you use a blade suited to the material and cut quality you need.

3. ROLLER GUIDE (SEE FIG. D)

Ensure the blade is located and runs smoothly in the groove otherwise the pendulum function will not work correctly and the blade will not be supported during cutting.

4. FITTING THE PARALLEL GUIDE (SEE FIG. E)

Slide the parallel guide arm through both parallel guide fixtures and tighten the locking nut (a) to achieve the required cutting distance. The parallel guide can be mounted in two positions as shown in Fig. E.

5. DUST TUBE (SEE FIG. F)

Mount the dust tube into the opening of the base plate. Make sure that the plastic tip of the vacuum connection engages into the corresponding opening on the housing as shown in Fig. F.

OPERATION

1. SAFETY ON/OFF SWITCH (SEE FIG. G)

The lock button can be locked in the OFF position. This helps to reduce the possibility of accidental starting when not in use. Depress the lock button to left or right then on/off switch and release the lock button. Your switch is now on. To switch off, just release the on/off switch.

2. PENDULUM ACTION CONTROL (SEE FIG. H)

The pendulum action varies the forward cutting angle of the blade for increased cutting efficiency. This can also be adjusted during no load running. Refer to the chart 1 for more details. Do not use excessive blade force when cutting with the pendulum action. The blade cuts on the upward stroke only.

Chart 1	
0	Thin materials. Fine cuts. Tight curves.
I	Hard materials, (e.g. steel & chipboard)
II	Thick materials (e.g. wood) & plastic
III	Fast cuts (e.g. softwood). Cutting in the direction of the wood grain.

3. BASE PLATE

Adjusting the angle of the base plate enables bevel cutting. The base plate must always be held firmly against the materials being cut to reduce saw vibration, blade jumping or blade breakage.

4. BASE PLATE ANGLE ADJUSTMENT (SEE FIG. I1-I3)

Your jig saw is equipped with the SDS base plate. Hold the SDS plate spanner and pull it outwards to 90°. Hold the SDS base plate and move it backwards a little. Now the base plate is loosen and can be turned either to left or right to a desired angle according to the angle scale marking shown on the angle plate. Move the base plate forwards a little until the teeth of the angle plate exactly match to a small raised block. Return the SDS plate spanner to lock the SDS base plate at the required angle. Check the angle and ensure the base plate is firmly clamped.

The angle scale markings on the angle plate are accurate for most general purposes but it is recommended for accurate work to set the angle with a protractor and make a test cut on other material.

5. FINGER PROTECTION

The finger protection is located in front of the blade holder. Whilst working, it will help prevent accidental contact with moving blade.

6. WORK LIGHT

Press the on/off switch, the work light will illuminate.

Release the on/off switch to turn off the work light.



CAUTION: Do not look into the strong light or see the source of light directly.

WORKING HINTS FOR YOUR JIG SAW

If your jig saw becomes too hot, especially when used at low speed, set the speed to maximum and run no load for 2-3 minutes to cool the motor. Avoid prolonged usage at very low speeds.

GENERAL

Always use a blade suited to the material and material thickness to be cut. Always ensure the workpiece is firmly held or clamped to prevent movement. For easier control, use low speed to start cutting, then increase to correct speed.

Any movement of the material may affect the quality of the cut. The blade cuts on the upward stroke and may chip the uppermost surface or face of the workpiece. Ensure your uppermost surface is a non-visible surface when your work is finished.

CUTTING LAMINATES

Use a fine tooth blade when cutting most laminates and thin wood materials. To reduce edge chipping, clamp pieces of waste wood at both ends on both sides and cut through the waste wood during cutting.

CIRCLE CUTTING

Do not use the pendulum action when cutting tight circles or angles.

PLUNGE SAWING (SEE FIG. J1, J2)

Plunge cutting may be used only on soft materials such as wood, aerated concrete, gypsum plaster boards, etc.

Use only short saw blades. Place the front edge of the base plate on the workpiece and switch on. Press the machine firmly against the workpiece and plunge the saw blade slowly into the workpiece.

As soon as the complete surface of the base plate rests on the work piece, continue to saw along the cutting line.

METAL CUTTING

Use a finer tooth blade for ferrous metals and a coarse tooth blade for non-ferrous metals. When cutting thin sheet metals always clamp wood on both sides of the sheet to reduce vibration or tearing of the sheet metal. Both wood and sheet metal must be cut. Do not force the cutting blade when cutting thin metal or sheet steel as they are harder materials and will take longer to cut. Excessive blade force may reduce the life of the blade or damage the motor. To reduce heat during metal cutting, add a little lubricant along the cutting line.

MAINTAINANCE

Remove the battery pack from the tool before carrying out any adjustment, servicing or maintenance.

There are no user serviceable parts in your power tool. Never use water or chemical cleaners to clean your power tool. Wipe clean with a dry cloth. Always store your power tool in a dry place. Keep the motor ventilation slots clean. Keep all working controls free of dust. Occasionally you may see sparks through the ventilation slots. This is normal and will not damage your power tool.

For Battery tools

The ambient temperature range for the use and storage of tool and battery is 0°C-45°C.

The recommended ambient temperature range for the charging system during charging is 0°C-40°C.

ENVIRONMENTAL PROTECTION



Waste electrical products must not be disposed of with household waste. Please recycle where facilities exist. Check with your local authorities or retailer for recycling advice.

DECLARATION OF CONFORMITY

We,
Positec Germany GmbH
Postfach 680194, 50704 Cologne, Germany

Declare that the product,
Description: **Battery-operated Jig saw**
Type: **WS2308.9 (23 - designation of machinery, representative of jig saw)**
Function: **Sawing various materials**

Complies with the following Directives,
2006/42/EC, 2014/30/EU, 2011/65/EU & (EU)2015/863

Standards conform to
EN 62841-1, EN 62841-2-11, EN IEC 55014-1, EN IEC 55014-2, EN IEC 63000

The person authorized to compile the technical file,
Name Marcel Filz
Address Positec Germany GmbH
Postfach 680194, 50704 Cologne, Germany



2023/04/03
Allen Ding
Deputy Chief Engineer, Testing & Certification
Positec Technology (China) Co., Ltd
18, Dongwang Road, Suzhou Industrial
Park, Jiangsu 215123, P. R. China

DECLARATION OF CONFORMITY(UK)

We,
Positec Power Tools (Europe) Ltd,
PO Box 6242, Newbury, RG14 9LT, UK

On behalf of Positec declare that the product
Description: **Battery-operated Jig saw**
Type designation: **WS2308.9 (23 - designation of machinery, representative of jig saw)**
Function: **Sawing various materials**

Complies with the following regulations:
Supply of Machinery (Safety) Regulations 2008
Electromagnetic Compatibility Regulations 2016
The Restriction of the Use of Certain Hazardous Substances in Electrical and Electronic Equipment Regulations

Standards conform to
BS EN 62841-1, BS EN 62841-2-11, BS EN IEC 55014-1, BS EN IEC 55014-2, BS EN IEC 63000

The person authorized to compile the technical file,
Name Jim Kirkwood
Address Positec Power Tools (Europe) Ltd,
PO Box 6242, Newbury, RG14 9LT, UK



2023/04/03
Allen Ding
Deputy Chief Engineer, Testing & Certification
Positec Technology (China) Co., Ltd
18, Dongwang Road, Suzhou Industrial
Park, Jiangsu 215123, P. R. China

KOMPONENTEN

1. Verriegelungstaste
2. Ein-/Aus-Schalter
3. Griffbereich
4. Akkupack-Freigabetaste*
5. Akkupack*
6. SDS-Plattenschlüssel
7. Staubadapter
8. Winkelplatte
9. Grundplatte
10. Kunststoff-Fußplattenschutz
11. Pendelhubsteuerung
12. Rollenführung
13. Sägeblatt
14. Parallelführung
15. Verriegelungsknopf
16. Werkzeugfreier Sägeblattwechsel
17. Fingerschutzwerkzeug
18. Hebel für werkzeugfreie Sägeblattwechsel
19. LED-Licht

* Abgebildetes oder beschriebenes Zubehör gehört teilweise nicht zum Lieferumfang.

TECHNISCHE DATEN

Typ **WS2308.9 (23-Bezeichnung der Maschine, Repräsentant Stichsäge)**

Nennspannung		18V $\overline{\text{---}}$
Leerlaufdrehzahl		0-3500 /min
Strichlänge		26mm
Fasenkapazität		$\pm 45^\circ$
Schneidleistung	Holz	120mm
	Stahl	10mm
Maschinengewicht (Nacktes Werkzeug)		2.2 kg

INFORMATIONEN ÜBER LÄRM

Gewichteter Schalldruck
Gewichtete Schalleistung
 $K_{PA} & K_{WA}$

$L_{PA} = 85 \text{ dB(A)}$
 $L_{WA} = 93 \text{ dB(A)}$
5 dB(A)

Tragen Sie einen Gehörschutz.

INFORMATIONEN ÜBER VIBRATIONEN

Vibrations Gesamt Messwertermittlung gemäß EN 62841:

Brett schneiden	Vibrationsemissionswert $a_{h,B} = 6.83 \text{ m/s}^2$
	Unsicherheit $K = 1.5 \text{ m/s}^2$

Der angegebene Vibrationsgesamtwert kann und der angegebene Vibrationsemissionswert wurden gemäß Standardprüfverfahren gemessen und können zum Vergleichen eines Werkzeug mit einem anderen verwendet werden.

Der angegebene Vibrationsgesamtwert und der angegebene Vibrationsemissionswert können auch für eine anfängliche Beurteilung der Beeinträchtigung verwendet werden.



WARNUNG: Die Vibrations- und Lärmemissionen bei der eigentlichen Nutzung des Elektrowerkzeugs können vom angegebenen Wert abweichen, je nachdem, wie das Werkzeug verwendet wird und insbesondere abhängig davon, welcher Werkstücktyp verarbeitet wird, und abhängig von folgenden Beispielen und verschiedenen Einsatzmöglichkeiten des Werkzeugs:

Wie das Werkzeug verwendet wird und Materialien geschnitten oder angebohrt werden.

Das Werkzeug ist in gutem Zustand und gut gepflegt.

Verwendung des richtigen Zubehörs für das Werkzeug und Gewährleistung seiner Schärfe und seines guten Zustands.

Die Festigkeit des Griffs auf den Handgriffen und, falls Antivibrations- und Lärmschutzzubehör verwendet wird.

Und ob das verwendete Werkzeug dem Design und diesen Anweisungen entsprechend verwendet wird.

Wird dieses Werkzeug nicht angemessen gehandhabt, kann es ein Hand-Arm-Vibrationssyndrom erzeugen.



WARNUNG: Um genau zu sein, sollte ein Abschätzung des Belastungsgrades aller Arbeitsabschnitte während tatsächlicher Verwendung berücksichtigt werden, z.B. die Zeiten, wenn das Werkzeug ausgeschaltet ist, und wenn es sich im Leerlauf befindet und eigentlich nicht eingesetzt wird. Auf diese Weise kann der Belastungsgrad während der gesamten Arbeitszeit wesentlich gemindert werden. Hilft dabei, das Risiko der Vibrations- und Lärmbelastung zu minimieren.

Verwenden Sie **IMMER** scharfe Meissel, Bohrer und Sägeblätter.

Pflegen Sie dieses Werkzeug diesen Anweisungen entsprechend und achten Sie auf eine gute Einfettung (wo erforderlich).

Falls das Werkzeug regelmäßig verwendet werden soll, investieren Sie in Antivibrations- und Lärmschutzzubehör.

Machen Sie einen Arbeitsplan, um die Verwendung von hochvibrierenden Werkzeugen auf mehrere Tage zu verteilen.

ZUBEHÖRTEILE

Staubadapter	1
Parallelführung	1
Grundabdeckung	1
Holzschneideblatt	1

Wir empfehlen Ihnen, sämtliche Zubehörteile beim selben Fachhändler zu beziehen, bei dem Sie auch Ihr Elektrowerkzeug gekauft haben. Weitere Informationen finden Sie auf der Verpackung der Zubehörteile. Auch Ihr Fachhändler berät Sie gerne.

PRODUKTSICHERHEIT

ALLGEMEINE SICHERHEITSHINWEISE FÜR ELEKTROWERKZEUGE



WARNUNG! Machen Sie sich mit allen Sicherheitswarnungen, Anweisungen, Abbildungen und Spezifikationen vertraut, die mit diesem Elektrowerkzeug geliefert werden. Die Nichtbeachtung der unten aufgeführten Anweisungen kann in elektrischen Schlägen, Feuer und/oder schweren Verletzungen resultieren.

Bewahren Sie alle Sicherheitshinweise und Anweisungen für die Zukunft auf.

Der in den Sicherheitshinweisen verwendete Begriff „Elektrowerkzeug“ bezieht sich auf akkubetriebene Elektrowerkzeuge (ohne Netzkabel).

1. ARBEITSPLATZSICHERHEIT

- a) Halten Sie Ihren Arbeitsbereich sauber und gut beleuchtet. Unordnung oder unbeleuchtete Arbeitsbereiche können zu Unfällen führen.
- b) Arbeiten Sie mit dem Elektrowerkzeug nicht in explosionsgefährdeter Umgebung, in der sich brennbare Flüssigkeiten, Gase oder Stäube befinden. Elektrowerkzeuge erzeugen Funken, die den Staub oder die Dämpfe entzünden können.
- c) Halten Sie Kinder und andere Personen während der Benutzung des Elektrowerkzeugs fern. Bei Ablenkung können Sie die Kontrolle über das Gerät verlieren.

2. ELEKTRISCHE SICHERHEIT

- a) Der Anschlussstecker des Elektrowerkzeuges muss in die Steckdose passen. Der Stecker darf in keiner Weise verändert werden. Verwenden Sie keine Adapterstecker gemeinsam mit schutzgeerdeten Elektrowerkzeugen. Unveränderte Stecker und passende Steckdosen verringern das Risiko eines elektrischen Schlages.
- b) Vermeiden Sie Körperkontakt mit geerdeten Oberflächen wie von Rohren, Heizungen, Herden und Kühlschränken. Es besteht ein erhöhtes Risiko durch elektrischen Schlag, wenn Ihr Körper geerdet ist.
- c) Halten Sie Elektrowerkzeuge von Regen oder Nässe fern. Das Eindringen von Wasser in ein Elektrowerkzeug erhöht das Risiko eines elektrischen Schlages.
- d) Zweckentfremden Sie das Kabel nicht, um das Elektrowerkzeug zu tragen, aufzuhängen oder um den Stecker aus der Steckdose zu ziehen. Halten Sie das Kabel fern von Hitze, Öl, scharfen Kanten oder sich bewegenden Geräteteilen. Beschädigte oder verwickelte Kabel erhöhen das Risiko eines elektrischen Schlages.
- e) Wenn Sie mit einem Elektrowerkzeug im Freien arbeiten, verwenden Sie nur Verlängerungskabel, die auch für den Außenbereich geeignet sind. Die Anwendung eines für den Außenbereich geeigneten Verlängerungskabels verringert das Risiko eines elektrischen Schlages.
- f) Wenn der Betrieb des Elektrowerkzeuges in feuchter Umgebung nicht vermeidbar ist, verwenden Sie einen Fehlerstromschutzschalter. Der Einsatz eines Fehlerstromschutzschalters vermindert das Risiko eines elektrischen Schlages.

3. SICHERHEIT VON PERSONEN

- a) Seien Sie aufmerksam, Achten Sie darauf, was Sie tun,

und gehen Sie mit Vernunft an die Arbeit mit einem Elektrowerkzeug. Benutzen Sie kein Elektrowerkzeug, wenn Sie müde sind oder unter dem Einfluss von Drogen, Alkohol oder Medikamenten stehen. Ein Moment der Unachtsamkeit beim Gebrauch des Elektrowerkzeuges kann zu ernsthaften Verletzungen führen.

- b) Tragen Sie persönliche Schutzausrüstung und immer eine Schutzbrille. Das Tragen persönlicher Schutzausrüstung, wie Staubmaske, rutschfeste Sicherheitsschuhe, Schutzhelm oder Gehörschutz, je nach Art und Einsatz des Elektrowerkzeuges, verringert das Risiko von Verletzungen.
 - c) Vermeiden Sie eine unbeabsichtigte Inbetriebnahme. Vergewissern Sie sich, dass das Elektrowerkzeug ausgeschaltet ist, bevor Sie es an den Akku anschließen, es aufnehmen oder tragen. Wenn Sie beim Tragen des Elektrowerkzeuges den Finger am Schalter haben oder das Gerät eingeschaltet an die Stromversorgung anschließen, kann dies zu Unfällen führen.
 - d) Entfernen Sie Einstellwerkzeuge oder Schraubenschlüssel, bevor Sie das Elektrowerkzeug einschalten. Ein Werkzeug oder Schlüssel, der sich in einem drehenden Geräteteil befindet, kann zu Verletzungen führen.
 - e) Vermeiden Sie eine abnormale Körperhaltung. Sorgen Sie für einen sicheren Stand und halten Sie jederzeit das Gleichgewicht. Dadurch können Sie das Elektrowerkzeug in unerwarteten Situationen besser kontrollieren.
 - f) Tragen Sie geeignete Kleidung. Tragen Sie keine weite Kleidung oder Schmuck. Halten Sie Haare und Kleidung fern von sich bewegenden Teilen. Lockere Kleidung, Schmuck oder lange Haare können von sich bewegenden Teilen erfasst werden.
 - g) Wenn Staubabsaug- und -auffangeinrichtungen montiert werden können, vergewissern Sie sich, dass diese angeschlossen sind und richtig verwendet werden. Verwendung einer Staubabsaugung kann Gefährdungen durch Staub verringern.
 - h) Vermeiden Sie, durch die häufige Nutzung des Werkzeugs in einen Trotz zu verfallen und Prinzipien für die Werkzeugsicherheit zu ignorieren. Eine unachtsame Aktion kann im Bruchteil einer Sekunde zu schweren Verletzungen führen.
- ### 4. VERWENDUNG UND BEHANDLUNG DES ELEKTROWERKZEUGES
- a) Überlasten Sie das Gerät nicht. Verwenden Sie für Ihre Arbeit das dafür bestimmte Elektrowerkzeug. Mit dem passenden Elektrowerkzeug arbeiten Sie besser und sicherer im angegebenen Leistungsbereich.
 - b) Benutzen Sie kein Elektrowerkzeug, dessen Schalter defekt ist. Ein Elektrowerkzeug, das sich nicht mehr ein- oder ausschalten lässt, ist gefährlich und muss repariert werden.
 - c) Klemmen Sie den Stecker von der Stromversorgung ab und/oder entfernen Sie den Akku (falls abnehmbar) aus dem Elektrowerkzeug, bevor Sie Geräteeinstellungen vornehmen, Zubehörteile wechseln oder das Gerät weglegen. Diese Vorsichtsmaßnahme verhindert den unbeabsichtigten Start des Elektrowerkzeuges.
 - d) Bewahren Sie unbenutzte Elektrowerkzeuge außerhalb der Reichweite von Kindern auf. Lassen Sie Personen das Gerät nicht benutzen, die mit diesem nicht vertraut sind oder diese Anweisungen nicht gelesen haben. Elektrowerkzeuge sind gefährlich, wenn Sie von unerfahrenen Personen benutzt werden.
 - e) Warten Sie die Elektrowerkzeuge und Zubehör. Kontrollieren Sie, ob bewegliche Teile einwandfrei

funktionieren und nicht klemmen, ob Teile gebrochen oder so beschädigt sind, dass die Funktion des Elektrowerkzeuges beeinträchtigt ist. Lassen Sie beschädigte Teile vor dem Einsatz des Gerätes reparieren. Viele Unfälle haben ihre Ursache in schlecht gewarteten Elektrowerkzeugen.

- f) Halten Sie Schneidwerkzeuge scharf und sauber. Sorgfältig gepflegte Schneidwerkzeuge mit scharfen Schneidkanten verkleben sich weniger und sind leichter zu führen.
- g) Verwenden Sie Elektrowerkzeug, Zubehör, Einsatzwerkzeuge usw. entsprechend diesen Anweisungen. Berücksichtigen Sie dabei die Arbeitsbedingungen und die auszuführende Tätigkeit. Der Gebrauch von Elektrowerkzeugen für andere als die vorgesehenen Anwendungen kann zu gefährlichen Situationen führen.
- h) Halten Sie die Griffe trocken, sauber und frei von Öl und Fett. Rutschige Griffe und Oberflächen unterbinden die sichere Bedienbarkeit und Kontrolle über das Werkzeug in unerwarteten Situationen.

5. Verwendung und Behandlung des Akkuwerkzeugs

- a) Laden Sie die Akkus nur in Ladegeräten auf, die vom Hersteller empfohlen werden. Für ein Ladegerät, das für eine bestimmte Art von Akku geeignet ist, besteht Brandgefahr, wenn es mit anderen Akkus verwendet wird.
- b) Verwenden Sie nur die dafür vorgesehenen Akkus in den Elektrowerkzeugen. Der Gebrauch von anderen Akkus kann zu Verletzungen und Brandgefahr führen.
- c) Halten Sie den nicht benutzten Akku fern von Büroklammern, Münzen, Schlüsseln, Nägeln, Schrauben oder anderen kleinen Metallgegenständen, die eine Überbrückung der Kontakte verursachen könnten. Ein Kurzschluss zwischen den Akkukontakten kann Verbrennungen oder Feuer zur Folge haben.
- d) Bei falscher Anwendung kann Flüssigkeit aus dem Akku austreten. Vermeiden Sie den Kontakt damit. Bei zufälligem Kontakt mit Wasser abspülen. Wenn die Flüssigkeit in die Augen kommt, nehmen Sie zusätzlich ärztliche Hilfe in Anspruch. Austretende Akkuflüssigkeit kann zu Hautreizungen oder Verbrennungen führen.
- e) Verwenden Sie kein Akkupack oder Werkzeug, das beschädigt ist. Beschädigte oder modifizierte Akkus können unvorhersehbare Reaktionen auslösen und zu Bränden, Explosionen oder Verletzungen führen.
- f) Setzen Sie das Akkupack oder Werkzeug keinem Feuer oder übermäßig hohen Temperaturen aus. Die Belastung durch Feuer oder Temperaturen über 130 °C kann zur Explosion führen.
- g) Befolgen Sie alle Ladeanweisungen, und laden Sie das Akkupack oder Werkzeug nicht außerhalb des in den Anweisungen festgelegten Temperaturbereichs auf. Ein unsachgemäßer Ladevorgang oder Temperaturen außerhalb des festgelegten Bereichs können den Akku schädigen und die Brandgefahr erhöhen.

6. SERVICE

- a) Lassen Sie Ihr Elektrowerkzeug nur von qualifiziertem Fachpersonal und nur mit Original-Ersatzteilen reparieren. Damit wird sichergestellt, dass die Sicherheit des Gerätes erhalten bleibt.
- b) Führen Sie niemals Wartungsarbeiten an beschädigten Akkus durch. Die Wartung von Akkupacks darf nur vom Hersteller selbst oder autorisierten Dienstleistern durchgeführt werden.

SICHERHEITSHINWEISE FÜR STICHSÄGEN

- Halten Sie das Gerät an den isolierten Griffflächen, wenn Sie Arbeiten ausführen, bei denen das Einsatzwerkzeug verborgene Stromleitungen. Metallteile am Werkzeug, die mit stromführenden Drähten in Berührung kommen, werden selbst stromführend und können der Bedienperson einen elektrischen Schlag versetzen.
- Sichern Sie das Werkstück zum Beispiel mit Einspannvorrichtungen auf einer stabilen Plattform. Das Werkstück ist instabil, wenn es mit der Hand oder dem Körper abgestützt wird, was zum Verlust der Kontrolle führen kann.

SYMBOLS



Um das Verletzungsrisiko zu verringern, muss der Benutzer die Bedienungsanleitung lesen



Augenschutz tragen



Gehörschutz tragen



Staubmaske tragen



Warnung



Elektroaltgeräte dürfen nicht mit dem Hausmüll entsorgt werden. Bitte recyceln Sie, wo Einrichtungen vorhanden sind. Wenden Sie sich an Ihre örtlichen Behörden oder Ihren Händler, um Ratschläge zum Recycling zu erhalten.

HINWEISE ZUM BETRIEB



HINWEIS: Lesen Sie das Handbuch vor Inbetriebnahme des Werkzeuges sorgfältig durch.

INTENDED USE

Das Elektrowerkzeug ist bestimmt, bei fester Auflage Trennschnitte und Ausschnitte in Holz, Kunststoff, Metall, Keramikplatten und Gummi auszuführen. Es ist geeignet für gerade und kurvige Schnitte mit einem Gehrungswinkel bis 45°. Die Sägeblattempfehlungen sind zu beachten.

MONTAGE


1. ANBRINGEN UND ENTFERNEN DES AKKUS (NICHT MITGELIEFERT) (SIEHE ABB. A)

Drücken Sie die Akkuverriegelung hinein, um den Akku zu entriegeln, und ziehen Sie ihn aus dem Bohrer heraus. Schieben Sie ihn nach dem Aufladen wieder in den Bohrer hinein. Schieben Sie ihn mit leichtem Druck ganz in die Aufnahme hinein.

2. DAS SÄGEBLATT MONTIEREN (SIEHE ABB. B, C)

Drehen Sie den werkzeugfreien Sägeblatt-Halterhebel (Stichsägen umgedreht) und halten Sie ihn in Position. Führen Sie dann das Sägeblatt vollständig in den Schlitz des werkzeugfreien Sägeblatt-Halters ein, wobei die Sägezähne nach vorne zeigen,

und lassen Sie den Sägeblatt-Halterhebel los, der sich über dem Sägeblatt festklemmen wird. Stellen Sie sicher, dass der werkzeu­gf­reie Sägeblatt-Halter an Ort und Stelle verriegelt ist. Versuchen Sie erneut, das Sägeblatt aus dem Sägeblatt-Halter zu ziehen, um sicherzustellen, dass es in Position verriegelt ist. Stellen Sie sicher, dass die Kante des Sägeblatts in der Nut des Sägeblatt-Führungsstückes liegt. Um ein Sägeblatt zu entfernen, drehen Sie den werkzeu­gf­reien Sägeblatt-Halterhebel erneut und heben Sie dann das Sägeblatt heraus.

 **WARNUNG: Die Zähne des Sägeblattes sind scharf.** Für beste Arbeitsergebnisse wählen Sie ein zum Material und zur jeweiligen Arbeit passendes Sägeblatt.

3. ROLLER FÜHRUNG (SIEHE ABB. D)

Stellen Sie sicher, dass die Klinge sich in der Nut befindet und reibungslos läuft, da sonst die Pendelfunktion nicht korrekt funktioniert und die Klinge beim Schneiden nicht unterstützt wird.

4. DAS ANBRINGEN DES PARALLELFÜHRUNG (SIEHE ABB. E)

Schieben Sie den Parallelführungsarm durch beide Parallelführungsbeschläge und ziehen Sie die Feststellschraube (a) an, um den erforderlichen Schnittabstand zu erreichen. Die Parallelführung kann in zwei Positionen montiert werden, wie in Abbildung E gezeigt.

5. STAUBROHR (SIEHE ABB. F)

Montieren Sie das Staubrohr in die Öffnung der Grundplatte. Stellen Sie sicher, dass die Kunststoffspitze des Staubsaugeranschlusses in die entsprechende Öffnung am Gehäuse eingreift, wie in Abbildung F gezeigt.

BETRIEB

1. SICHERHEITS-EIN/AUS-SCHALTER (SIEHE ABB. G)

Die Sperrtaste kann in der AUS-Position arretiert werden. Dies hilft, die Möglichkeit eines unbeabsichtigten Starts im Ruhezustand zu verringern. Drücken Sie die Sperrtaste nach links oder rechts und dann den Ein-/Aus-Schalter und lassen Sie die Sperrtaste los. Ihr Schalter ist jetzt eingeschaltet. Zum Ausschalten lassen Sie einfach den Ein-/Aus-Schalter los.

2. PENDELHUBREGELUNG (SIEHE ABB. H)

Die Pendelhubbewegung verändert den vorderen Schnittwinkel des Sägeblatts für effizienteres Sägen. Dies kann auch eingestellt werden, wenn die Säge ohne Belastung läuft. Für mehr Details sehen Sie die untere Darstellung. Üben Sie nicht übermäßige Kraft auf die Säge aus, wenn Sie mit Pendelhubbewegung sägen. Die Säge sägt nur beim Aufwärtshub.

TABELLE 1	
0	Dünne Materialien. Feine Schnitte. Enge Kurven.
I	Harte Materialien, (z. B. Stahl & Spanholz)
II	Dichte Materialien (z. B. Holz & Plastik)
III	Schnelle Schnitte (z. B. Weichholz), Schnitte in Richtung der Holzmaserung.

3. GRUNDPLATTE

Das Einstellen des Winkels der Grundplatte ermöglicht Gehrungsschnitte. Die Grundplatte muss stets fest gegen das zu schneidende Material gedrückt werden, um die Sägevibrationen, das Springen der Klinge oder das Brechen der Klinge zu reduzieren.

4. WINKELVERSTELLUNG DER GRUNDPLATTE (SIEHE ABB. I1-I3)

Ihr Stichsäge ist mit der SDS-Grundplatte ausgestattet. Halten Sie den SDS-Plattenschlüssel und ziehen Sie ihn nach außen auf 90°. Halten Sie die SDS-Grundplatte und bewegen Sie sie ein wenig nach hinten. Nun ist die Grundplatte gelöst und kann entweder nach links oder rechts auf einen gewünschten Winkel gemäß der Winkelskalenmarkierung auf der Winkelplatte gedreht werden. Bewegen Sie die Grundplatte ein wenig nach vorne, bis die Zähne der Winkelplatte genau zu einem kleinen erhöhten Block passen. Setzen Sie den SDS-Plattenschlüssel wieder ein, um die SDS-Grundplatte im erforderlichen Winkel zu verriegeln. Überprüfen Sie den Winkel und stellen Sie sicher, dass die Grundplatte fest eingespannt ist.

Die Winkelskalenmarkierungen auf der Winkelplatte sind für die meisten allgemeinen Zwecke genau, aber es wird empfohlen, für präzise Arbeiten den Winkel mit einem Winkelmesser einzustellen und einen Testschnitt an einem anderen Material durchzuführen.


5. FINGER SCHUTZ

Der Fingerschutz befindet sich vor dem Klingenträger. Während der Arbeit hilft er, unbeabsichtigten Kontakt mit der sich bewegend Klinge zu verhindern.

6. ARBEITSLEUCHE

Drücken Sie den Ein/Aus-Schalter, um die Arbeitsleuchte einzuschalten.

Lassen Sie den Ein/Aus-Schalter los, um die Arbeitsleuchte auszuschalten.

 **VORSICHT: Sehen Sie nicht direkt in das starke Licht oder betrachten Sie die Lichtquelle nicht direkt.**

ARBEITSHINWEISE FÜR IHRE STICHSÄGE

Wenn Ihr Gerät zu heiß wird, besonders bei niedriger Geschwindigkeit, stellen Sie die höchste Geschwindigkeit ein und lassen Sie es 2-3 Minuten ohne Belastung laufen, um den Motor abzukühlen. Vermeiden Sie längeren Betrieb bei niedriger Geschwindigkeit.

ALLGEMEIN

Benutzen Sie immer ein für das Material und die Materialstärke geeignetes Sägeblatt. Das Werkstück muss bei allen Arbeiten sicher befestigt oder festgeklemmt werden, damit es nicht verrutschen kann. Für eine bessere Kontrolle verwenden Sie am Anfang eine geringe Schnittgeschwindigkeit; erhöhen Sie diese dann, um die Geschwindigkeit richtig einzustellen.

LAMINAT SCHNEIDEN

Verwenden Sie für die meisten Lamine und Holze ein Sägeblatt mit feinen Zähnen. Um das Splittern der Kanten zu verringern, klemmen Sie Abfallholz an beide Enden und Seiten. Schneiden Sie beim Sägen dann durch das Abfallholz.

KREISLINIEN SCHNEIDEN

Benutzen Sie nicht den Pendelhub, wenn Sie enge Kreislinien oder Winkel schneiden.

TAUCHSÄGEN (SIEHE ABB. J1, J2)

Es dürfen nur weiche Werkstoffe wie Holz, Gasbeton, Gipskarton o.Ä. im Tauchsägeverfahren bearbeitet werden! Nur kurze Sägeblätter verwenden. Das Gerät mit der vorderen Kante der Fußplatte auf das Werkstück aufsetzen und einschalten. Das Gerät fest gegen das Werkstück drücken und das Sägeblatt langsam in das Werkstück eintauchen. Sobald die Fußplatte ganzflächig aufliegt, entlang der Schnittlinie weitersägen.

SCHNEIDEN VON METALL

Benutzen Sie ein feinzahnes Sägeblatt für Eisenmetalle und ein grobzahnes für Nichteisenmetalle. Klemmen Sie dünne Metallbleche zwischen zwei Holzstücke, um Vibrationen zu dämpfen und ein Einreißen der Bleche zu vermeiden. Beides, sowohl das Holz als auch das Metallblech muss geschnitten werden. Wenden Sie beim Sägen von dünnen Metall- oder Stahlblechen keine Gewalt an. Sie sind härter und die Schnitte benötigen mehr Zeit. Ein zu hoher Druck auf das Sägeblatt kann die Lebensdauer des Sägeblattes reduzieren oder den Motor beschädigen. Tragen Sie entlang der Schnittlinie etwas Schmiermittel auf, um die entstehende Wärme abzuleiten.

WARTUNG

Entfernen Sie das Akkupack, bevor Sie Einstellungen, Service- oder Wartungsarbeiten daran durchführen.

Ihr Werkzeug benötigt keine zusätzliche Schmierung oder Wartung. Es enthält keine Teile, die Sie warten müssen. Reinigen Sie Ihr Werkzeug niemals mit Wasser oder chemischen Lösungsmitteln. Wischen Sie es mit einem trockenen Tuch sauber. Lagern Sie Ihr Werkzeug immer an einem trockenen Platz. Sorgen Sie dafür, dass bei staubigen Arbeiten die Lüftungsöffnungen frei sind. Halten Sie alle Bedienelemente staubfrei. Gelegentlich sind durch die Lüftungsschlitze hindurch Funken zu sehen. Dies ist normal und wird Ihr Werkzeug nicht beschädigen.

Bei Akkuwerkzeugen

Der Umgebungstemperaturbereich für die Nutzung und Lagerung von Werkzeug und Akku liegt zwischen 0 °C und 45 °C. Der empfohlene Umgebungstemperaturbereich für die Ladestation liegt zwischen 0 °C und 40 °C.

UMWELTSCHUTZ



Elektroprodukte dürfen nicht mit dem normalen Haushaltsmüll entsorgt werden, sondern sollten nach Möglichkeit zu einer Recyclingstelle gebracht werden.

Ihre zuständigen Behörden oder Ihr Fachhändler geben Ihnen hierzu gerne Auskunft.

KONFORMITÄTSERKLÄRUNG

Wir,
Positec Germany GmbH
Postfach 680194, 50704 Cologne, Germany

Erklären hiermit, dass unser Produkt
Description: **Kabellose Stichsäge**
Type: **WS2308.9 (23 - Bezeichnung der Maschine, Repräsentant Stichsäge)**
Funktion: **Sägen verschiedenen Materialien**

Den Bestimmungen der folgenden Richtlinien entspricht:
2006/42/EC, 2014/30/EU, 2011/65/EU & (EU)2015/863

Normen:
EN 62841-1, EN 62841-2-11, EN IEC 55014-1, EN IEC 55014-2, EN IEC 63000

Zur Kompilierung der technischen Datei ermächtigte Person
Name Marcel Filz
Anschrift Positec Germany GmbH
Postfach 680194, 50704 Cologne, Germany



2023/04/03
Allen Ding
Stellvertretender Cheffingenieur, Prüfung und Zertifizierung
Positec Technology (China) Co., Ltd
18, Dongwang Road, Suzhou Industrial
Park, Jiangsu 215123, P. R. China


LISTE DES COMPOSANTS

1. Bouton de verrouillage
2. Interrupteur marche/arrêt
3. Zone de prise en main
4. Bouton de libération du bloc-batterie*
5. Bloc-batterie*
6. Clé plate pour plaque SDS
7. Adaptateur de poussière
8. Plaque d'angle
9. Plaque de base
10. Protection en plastique pour plaque de pied
11. Contrôle d'action pendulaire
12. Guide à rouleaux
13. Lame de scie
14. Guide parallèle
15. Bouton de verrouillage
16. Support de lame sans outil
17. Outil de protection des doigts
18. Levier de support de lame sans outil
19. Lumière LED

* Les accessoires reproduits ou décrits ne sont pas tous compris avec le modèle standard livré.

CARACTÉRISTIQUES TECHNIQUES

Modèle **WS2308.9** (23-désignations des pièces, illustration de la Scie sauteuse)

Tension nominale		18V 
Vitesse à vide		0-3500 /min
Longueur de course		26mm
Capacité de biseau		± 45°
Capacité de coupe	Bois	120mm
	Acier	10mm
Poids de la machine (Outil nu)		2.2 kg

INFORMATIONS RELATIVES AU BRUIT

Niveau de pression acoustique pondéré A

Niveau de puissance acoustique pondéré A

K_{pa} & K_{wa}

Porter une protection pour les oreilles.

$L_{PA} = 85$ dB(A)

$L_{WA} = 93$ dB(A)

5 dB(A)

INFORMATIONS RELATIVE AUX VIBRATIONS

Valeurs totales de vibration (somme du vecteur triaxial) déterminées selon la norme EN 62841:

Découpe d'un panneau	Valeur d'émission de vibrations $a_{hB} = 6.83$ m/s ²
	Incertitude $K = 1.5$ m/s ²

Découpe de tôle	Valeur d'émission de vibrations $a_{TM} = 6.49 \text{ m/s}^2$
	Incertitude $K = 1.5 \text{ m/s}^2$

La valeur totale de vibration déclarée et la valeur d'émission de bruit déclarée ont été mesurées conformément à la méthode d'essai standard et peuvent être utilisées pour comparer un outil à un autre.

La valeur totale de vibration déclarée et la valeur d'émission de bruit déclarée peuvent également être utilisées lors d'une évaluation préliminaire de l'exposition.



AVERTISSEMENT: les vibrations et les émissions de bruit au cours de l'utilisation réelle de l'outil électrique peuvent varier de la valeur déclarée en fonction du mode d'utilisation de l'outil, en particulier du type de pièce traité selon les exemples suivants et d'autres variations concernant le mode d'utilisation de l'outil:

Comment l'outil est utilisé et quels matériaux sont coupés ou percés.

L'outil est en bon état et bien entretenu.

L'utilisation du bon accessoire pour l'outil et l'assurance qu'il est affûté et en bon état.

La force avec laquelle vous serrez les poignées et l'utilisation éventuelle d'un quelconque accessoire anti-bruit et anti-vibration.

Et l'outil est utilisé comme prévu dans sa conception et dans les présentes instructions.

Cet outil peut causer un syndrome de vibration du bras et de la main s'il n'est pas correctement géré.



AVERTISSEMENT: Pour être précise, une évaluation du niveau d'exposition en conditions réelles d'utilisation doit également tenir compte de toutes les parties du cycle d'utilisation telles que les moments où l'outil est éteint, et ceux où il fonctionne au ralenti mais ne réalise pas réellement de tâche. Ceci peut réduire de façon significative le niveau d'exposition et la période de fonctionnement totale.

Facteurs contribuant à minimiser votre risque d'exposition aux vibrations et au bruit.

Utilisez TOUJOURS des ciseaux, des forets et des lames affûtés.

Entretenez cet outil en accord avec les présentes instructions et maintenez-le lubrifié (si approprié).

Si l'outil doit être fréquemment utilisé, investissez dans des accessoires anti-bruit et anti-vibration.

Planifiez votre travail pour étaler toute utilisation d'outil à fortes vibrations sur plusieurs jours.

ACCESSOIRES

Adaptateur anti-poussière	1
Guide parallèle	1
Couvercle de base	1
Lame de coupe de bois	1

Nous recommandons d'acheter tous les accessoires dans le magasin d'acquisition de l'outil. Pour plus d'informations, se référer à l'emballage des accessoires. Le personnel du magasin est également là pour vous conseiller.

SÉCURITÉ DU PRODUIT

AVERTISSEMENTS DE SÉCURITÉ GÉNÉRAUX POUR L'OUTIL



AVERTISSEMENT! Lire l'ensemble des mises en garde, instructions, illustrations et spécifications fourni avec cet outil électrique. *Ne pas suivre toutes les instructions énumérées ci-dessous peut conduire à une électrocution, un incendie et / ou des blessures graves.*

Conserver tous les avertissements et toutes les instructions pour pouvoir s'y reporter ultérieurement.

Le terme «outil» dans les avertissements fait référence à votre outil électrique alimenté par le secteur (avec cordon d'alimentation) ou votre outil fonctionnant sur batterie (sans cordon d'alimentation).

1. SÉCURITÉ DE LA ZONE DE TRAVAIL

- Conservé la zone de travail propre et bien éclairée. *Les zones en désordre ou sombres sont propices aux accidents.*
- Ne pas faire fonctionner les outils électriques en atmosphère explosive, par exemple en présence de liquides inflammables, de gaz ou de poussières. *Les outils électriques produisent des étincelles qui peuvent enflammer les poussières ou les fumées.*
- Maintenir les enfants et les personnes présentes à l'écart pendant l'utilisation de l'outil. *Les distractions peuvent vous faire perdre le contrôle de l'outil.*

2. SÉCURITÉ ÉLECTRIQUE

- Il faut que les fiches de l'outil électrique soient adaptées au socle. *Ne jamais modifier la fiche de quelque façon que ce soit. Ne pas utiliser d'adaptateurs avec des outils à branchement de terre. Des fiches non modifiées et des socles adaptés réduiront le risque de choc électrique.*
- Éviter tout contact du corps avec des surfaces reliées à la terre telles que les tuyaux, les radiateurs, les cuisinières et les réfrigérateurs. *Il existe un risque accru de choc électrique si votre corps est relié à la terre.*
- Ne pas exposer les outils à la pluie ou à des conditions humides. *La pénétration d'eau à l'intérieur d'un outil augmentera le risque de choc électrique.*
- Ne pas maltraiter le cordon. *Ne jamais utiliser le cordon pour porter, tirer ou débrancher l'outil. Maintenir le cordon à l'écart de la chaleur, du lubrifiant, des arêtes ou des parties en mouvement. Des cordons endommagés ou emmêlés augmentent le risque de choc électrique.*
- Lorsqu'on utilise un outil à l'extérieur, utiliser un prolongateur adapté à l'utilisation extérieure. *L'utilisation d'un cordon adapté à l'utilisation extérieure réduit le risque de choc électrique.*
- Si l'usage d'un outil dans un emplacement humide est inévitable, utiliser une alimentation protégée par un dispositif à courant différentiel résiduel (DDR). *L'usage d'un DDR réduit le risque de choc électrique.*

3. SÉCURITÉ DES PERSONNES

- Restez vigilant, regardez ce que vous êtes en train de faire et faites preuve de bon sens dans votre utilisation de l'outil. *Ne pas utiliser un outil lorsque vous êtes fatigué ou sous l'emprise de drogues, d'alcool ou de médicaments. Un moment d'inattention en cours d'utilisation d'un outil peut entraîner des blessures graves des personnes.*
- Utiliser un équipement de sécurité. *Toujours porter une*

protection pour les yeux. Les équipements de sécurité tels que les masques contre les poussières, les chaussures de sécurité antidérapantes, les casques ou les protections acoustiques utilisés pour les conditions appropriées réduiront les blessures de personnes.

- Éviter tout démarrage intempestif. *S'assurer que l'interrupteur est en position arrêt avant de brancher l'outil au secteur et/ou au bloc de batteries, de le ramasser ou de le porter. Porter les outils en ayant le doigt sur l'interrupteur ou brancher des outils dont l'interrupteur est en position marche est source d'accidents.*
- Retirer toute clé de réglage avant de mettre l'outil en marche. *Une clé laissée fixée sur une partie tournante de l'outil peut donner lieu à des blessures de personnes.*
- Ne pas se précipiter. *Garder une position et un équilibre adaptés à tout moment. Cela permet un meilleur contrôle de l'outil dans des situations inattendues.*
- S'habiller de manière adaptée. *Ne pas porter de vêtements amples ou de bijoux. Garder les cheveux et les vêtements à distance des parties en mouvement. Des vêtements amples, des bijoux ou les cheveux longs peuvent être pris dans des parties en mouvement.*
- Si des dispositifs sont fournis pour le raccordement d'équipements pour l'extraction et la récupération des poussières, s'assurer qu'ils sont connectés et correctement utilisés. *Utiliser des collecteurs de poussière peut réduire les risques dus aux poussières.*
- Ne pas laisser les habitudes acquises au cours d'une utilisation fréquente des outils nous rendre complaisants et ignorer les principes de sécurité de l'outil. *Une action imprudente peut entraîner des blessures graves en une fraction de seconde.*

4. UTILISATION ET ENTRETIEN DE L'OUTIL

- Ne pas forcer l'outil. *Utiliser l'outil adapté à votre application. L'outil adapté réalisera mieux le travail et de manière plus sûre au régime pour lequel il a été construit.*
- Ne pas utiliser l'outil si l'interrupteur ne permet pas de passer de l'état de marche à arrêt et vice versa. *Tout outil qui ne peut pas être commandé par l'interrupteur est dangereux et il faut le réparer.*
- Débrancher la prise de la source d'alimentation et / ou retirer la batterie, si elle est amovible, de l'outil, avant tout réglage, changement d'accessoires ou avant de ranger l'outil. *De telles mesures de sécurité préventives réduisent le risque de démarrage accidentel de l'outil.*
- Conserver les outils à l'arrêt hors de la portée des enfants et ne pas permettre à des personnes ne connaissant pas l'outil ou les présentes instructions de le faire fonctionner. *Les outils sont dangereux entre les mains d'utilisateurs novices.*
- Entretien les outils et accessoires électriques. *Vérifier qu'il n'y a pas de mauvais alignement ou de blocage des parties mobiles, des pièces cassées ou toute autre condition pouvant affecter le fonctionnement de l'outil. En cas de dommages, faire réparer l'outil avant de l'utiliser. De nombreux accidents sont dus à des outils mal entretenus.*
- Garder affûtés et propres les outils permettant de couper. *Des outils destinés à couper correctement entretenus avec des pièces coupantes tranchantes sont moins susceptibles de bloquer et sont plus faciles à contrôler.*
- Utiliser l'outil, les accessoires et les lames etc., conformément à ces instructions, en tenant compte des conditions de travail et du travail à réaliser. *L'utilisation*

de l'outil pour des opérations différentes de celles prévues pourrait donner lieu à des situations dangereuses.

- h) **Maintenir les poignées et les surfaces de préhension sèches, propres et exemptes d'huile et de graisse.** Des poignées et surfaces de préhension glissantes ne permettent pas une manipulation et un contrôle de l'outil en toute sécurité en cas d'imprévu.
5. **UTILISATION DES OUTILS FONCTIONNANT SUR BATTERIES ET PRÉCAUTIONS D'EMPLOI**
- a) **Ne recharger qu'avec le chargeur spécifié par le fabricant.** Un chargeur qui est adapté à un type de bloc de batteries peut entraîner un risque d'incendie lorsqu'il est utilisé avec un autre type de bloc de batteries.
- b) **N'utiliser les outils qu'avec des blocs de batteries spécifiquement désignés.** L'utilisation de tout autre bloc de batteries peut entraîner un risque de blessure et d'incendie.
- c) **Lorsqu'un bloc de batteries n'est pas utilisé, le maintenir à l'écart de tout autre objet métallique, par exemple trombones, pièces de monnaie, clés, clous, vis ou autres objets de petite taille qui peuvent donner lieu à une connexion d'une borne à une autre.** Le court-circuitage des bornes d'une batterie entre elles peut causer des brûlures ou un incendie.
- d) **Dans de mauvaises conditions, du liquide peut être éjecté de la batterie; éviter tout contact. En cas de contact accidentel, nettoyer à l'eau. Si le liquide entre en contact avec les yeux, rechercher en plus une aide médicale.** Le liquide éjecté des batteries peut causer des irritations ou des brûlures.
- e) **N'utilisez pas de batterie ou d'outil endommagé ou modifié.** Des batteries endommagées ou modifiées peuvent se comporter de façon imprévisible et causer un incendie, une explosion ou un risque de blessure.
- f) **N'exposez pas une batterie ou un outil à un incendie ou à une température excessive.** L'exposition à un incendie ou une température supérieure à 130 °C peut causer une explosion.
- g) **Suivez toutes les instructions de charge et ne rechargez pas la batterie ou l'outil en dehors de la plage de température spécifiée dans les instructions.** Recharger la batterie de façon inappropriée ou en dehors de la plage de température spécifiée peut l'endommager et augmente le risque d'incendie.
6. **MAINTENANCE ET ENTRETIEN**
- a) **Faire entretenir l'outil par un réparateur qualifié utilisant uniquement des pièces de rechange identiques.** Cela assurera le maintien de la sécurité de l'outil.
- b) **Ne révisez jamais de batteries endommagées.** La révision de batteries doit uniquement être effectuée par le fabricant ou les prestataires de service autorisés.

AVERTISSEMENTS DE SÉCURITÉ POUR SCIE SABRE

1. **Tenir l'outil par les zones de prises isolées lors d'une utilisation où l'outil tranchant pourrait entrer en contact avec des fils cachés.** L'accessoire de coupe, s'il entre en contact avec un fil "sous tension", peut mettre les parties métalliques exposées de l'outil "sous tension" et électrocuter l'opérateur.
2. **Utiliser des pinces ou tout autre moyen pratique pour fixer et soutenir la pièce sur une plate-forme stable.** Tenir la pièce à la main ou contre le corps la rend instable et peut conduire à une perte de contrôle.

SYMBOLES



Utilisation en intérieur uniquement (chargeur)
Lire le manuel de l'opérateur.



Porter des lunettes de protection



Porter une protection auditive



Porter un masque anti-poussière



Avertissement



Les déchets de produits électriques ne doivent pas être jetés avec les ordures ménagères. Veuillez recycler là où les installations existent. Vérifiez auprès de vos autorités locales ou de votre revendeur pour obtenir des conseils de recyclage.

INSTRUCTIONS D'UTILISATION



REMARQUE: Avant d'utiliser cet outil, lire attentivement le mode d'emploi.

UTILISATION CONFORME

L'appareil est conçu pour effectuer, sur un support rigide, des découpes et coupes dans le bois, les matières plastiques, le métal, le caoutchouc et les plaques en céramique. Il est approprié pour des coupes droites et curvilignes avec des angles d'onglet jusqu'à 45°. Respecter les recommandations d'utilisation des lames de scie.


ASSEMBLAGE

1. ENLEVER OU INSTALLER LA BATTERIE (NON FOURNI)(VOIR FIG. A)

Enfoncez la languette du bloc de batterie pour le dégager et faites-le glisser hors de votre perceuse. Après la recharge, faites-le glisser en place sur votre perceuse. Un simple coulissement et une légère pression seront suffisants.

2. INSTALLATION DE LA LAME DE SCIE (VOIR FIG. B, C)

Faites pivoter le levier de support de lame sans outil (scie sauteuse à l'envers) et maintenez-le en position. Ensuite, insérez complètement la lame dans la fente du support de lame sans outil avec les dents de la lame orientées vers l'avant, puis relâchez le levier du support de lame, qui se fixera par-dessus la lame. Assurez-vous que le support de lame sans outil est verrouillé en place. Essayez de tirer à nouveau sur la lame pour vous assurer qu'elle est bien en position verrouillée. Assurez-vous que le bord de la lame est situé dans la rainure du guide de lame. Pour retirer une lame, faites à nouveau pivoter le levier de support de lame sans outil, puis retirez la lame.

 **AVERTISSEMENT: Les dents de la lame sont très coupantes.** Pour de meilleurs résultats de coupe, utilisez une lame adaptée au matériau et à la qualité de coupe dont vous avez besoin.

3. GUIDE À ROULEAUX (VOIR FIG. D)

Assurez-vous que la lame est positionnée et glisse en douceur dans la rainure, sinon la fonction pendulaire ne fonctionnera pas correctement et la lame ne sera pas soutenue pendant la coupe.

4. MONTAGE DU GUIDE PARALLÈLE (VOIR FIG. E)

Faites glisser le bras du guide parallèle à travers les deux fixations du guide parallèle et serrez l'écrou de serrage (a) pour obtenir la distance de coupe requise. Le guide parallèle peut être monté dans deux positions comme indiqué dans la figure E.

5. TUBE D'ASPIRATION DE POUSSIÈRE (VOIR FIG. F)

Montez le tube d'aspiration dans l'ouverture de la plaque de base. Assurez-vous que l'embout en plastique de la connexion d'aspiration s'engage dans l'ouverture correspondante sur le boîtier comme indiqué dans la figure F.

FONCTIONNEMENT

1. INTERRUPTER DE SÉCURITÉ MARCHE/ARRÊT (VOIR FIG. G)

Le bouton de verrouillage peut être verrouillé en position ARRÊT. Cela aide à réduire la possibilité de démarrage accidentel lorsqu'il n'est pas utilisé. Appuyez sur le bouton de verrouillage vers la gauche ou la droite, puis sur l'interrupteur marche/arrêt, et relâchez le bouton de verrouillage. Votre interrupteur est maintenant activé. Pour éteindre, il suffit de relâcher l'interrupteur marche/arrêt.

2. CONTRÔLE DE L'ACTION DU PENDULE (VOIR FIG. H)

L'action du pendule fait varier l'angle de coupe avant de la lame pour une meilleure efficacité de coupe. Ceci peut également être ajusté pendant une course sans charge. Reportez-vous au tableau 1 pour plus de détails. N'utilisez pas une force de lame excessive lors de la coupe avec l'action du pendule. La lame ne coupe que pendant la course ascendante.

Graphique 1	
0	Matériaux fins. Coupes fines. Courbes serrées.
I	Matériaux durs (exemple : acier aggloméré)
II	Matériaux épais (ex. Bois) et plastiques
III	Coupes rapides (exemple : bois tendre). Découpe dans le sens du fil du bois.

3. PLAQUE DE BASE

Ajuster l'angle de la plaque de base permet de réaliser des coupes en biseau. La plaque de base doit toujours être maintenue fermement contre les matériaux coupés pour réduire les vibrations de la scie, le saut de lame ou la rupture de lame.

4. AJUSTEMENT DE L'ANGLE DE LA PLAQUE DE BASE (VOIR FIG. I1-I3)

Votre scie sauteuse est équipée d'une plaque de base SDS. Tenez la clé plate pour plaque SDS et tirez-la vers l'extérieur à 90°. Tenez la plaque de base SDS et déplacez-la légèrement vers l'arrière. Maintenant, la plaque de base est desserrée et peut être tournée vers la gauche ou vers la droite jusqu'à un angle désiré selon les marques d'échelle d'angle indiquées sur la plaque d'angle. Déplacez légèrement la plaque de base vers l'avant jusqu'à ce que les dents de la plaque d'angle correspondent exactement à un petit bloc surélevé. Remplacez la clé plate pour verrouiller la plaque de base SDS à l'angle requis. Vérifiez l'angle et assurez-vous que la plaque de base est fermement serrée. Les marques d'échelle d'angle sur la plaque d'angle sont précises pour la plupart des utilisations générales, mais il est recommandé, pour un travail précis, de régler l'angle avec un rapporteur et de faire un essai de coupe sur un autre matériau.

5. PROTECTION DES DOIGTS

La protection des doigts est située devant le porte-lame. Pendant le travail, elle aidera à éviter tout contact accidentel avec la lame en mouvement.

6. ÉCLAIRAGE DE TRAVAIL

Appuyez sur l'interrupteur marche/arrêt pour allumer l'éclairage de travail.

Relâchez l'interrupteur marche/arrêt pour éteindre l'éclairage de travail.

 **ATTENTION : Ne regardez pas directement la lumière forte ou la source de lumière.**

CONSEILS POUR LE BON FONCTIONNEMENT DE VOTRE SCIE SAUTEUSE

Si votre scie sauteuse devient trop chaude, surtout lorsqu'elle est utilisée à basse vitesse, réglez la vitesse au maximum et ne lui faites aucune charge pendant 2-3 minutes afin de refroidir le moteur. Éviter un usage prolongé à très basse vitesse.

GENERALITES

Utilisez toujours une lame adaptée au matériau et à l'épaisseur du matériau à couper. Assurez-vous toujours que la pièce à usiner est fermement maintenue ou serrée pour empêcher tout mouvement. Pour faciliter le contrôle, commencez la coupe à faible vitesse, puis augmentez au fur et à mesure pour corriger.

DECOUPE DE STRATIFIÉS

Utilisez une lame à dents fines pour couper la plupart des stratifiés et des matériaux en bois fins. Pour réduire l'écaillage des bords, fixez des morceaux de bois de rebut des deux côtés de la pièce à travailler (« en sandwich ») et sciez au travers de ces rebuts de bois pendant la coupe.

COUPE DE CERCLES

N'utilisez pas l'action du pendule lorsque vous coupez des cercles ou des angles serrés.

COUPES EN PLONGÉE (VOIR. J1, J2)

La coupe en plongée peut être utilisée uniquement sur des matériaux souples tels que le bois, le béton cellulaire, les plaques de plâtre, etc. N'utilisez que des lames de scie courtes. Placez le bord avant de la plaque de base sur la pièce à travailler et mettez

en marche. Appuyez fermement l'outil contre la pièce et plongez la lame de scie lentement dans la pièce. Dès que la surface totale de la plaque de base repose sur la pièce à travailler, continuez à scier le long de la ligne de coupe.

COUPE DE METAUX

Utilisez une lame à dents plus fines pour les métaux ferreux et une lame à grosses dents pour les métaux non ferreux. Lorsque vous coupez des tôles minces, fixez toujours du bois des deux côtés de la feuille pour réduire les vibrations ou la déchirure de la tôle. Il faut couper aussi bien le bois que la tôle. Ne forcez pas la lame lors de la coupe de tôles fines ou de tôles d'acier, car ce sont des matériaux plus durs et prendront plus de temps à être coupés. Une force excessive sur la lame peut réduire la durée de vie de la lame ou endommager le moteur. Pour réduire la chaleur pendant la coupe du métal, ajoutez un peu de lubrifiant le long de la ligne de coupe.

ENTRETIEN

Retirer la batterie avant de procéder à un réglage, une réparation ou un entretien.

L'outil motorisé ne requiert pas de graissage ou d'entretien particulier. Il n'y a pas de pièces réparables par l'utilisateur dans cet outil. Ne jamais utiliser d'eau ou de nettoyants chimiques pour nettoyer l'outil. Nettoyer avec un chiffon sec. Toujours conserver l'outil motorisé dans un endroit sec. Maintenir les fentes de ventilation du moteur propres. Empêcher que les commandes de marche soient couvertes de sciure. Il est normal que des étincelles soient visibles dans les fentes de ventilation, cela n'endommagera pas l'outil motorisé.

Pour les outils à batterie

La plage de température ambiante pour l'utilisation et le stockage de l'outil et de la batterie est de 0 °C à 45 °C.

La plage de température ambiante recommandée pour le système de recharge au cours de la charge est de 0 °C à 40 °C.

PROTECTION DE L'ENVIRONNEMENT



Les déchets d'équipements électriques et électroniques ne doivent pas être déposés avec les ordures ménagères. Ils doivent être collectés pour être recyclés dans des centres spécialisés. Consultez les autorités locales ou votre revendeur pour obtenir des renseignements sur l'organisation de la collecte.

DÉCLARATION DE CONFORMITÉ

Nous,
Positec Germany GmbH
Postfach 680194, 50704 Cologne, Germany

Déclarons que ce produit,
Description: **Scie sauteuse sans fil**
Modèle: **WS2308.9 (23 - désignations des pièces, illustration de la Scie sauteuse)**
Fonctions: **Sciage de matériaux divers**

Est conforme aux directives suivantes,
2006/42/EC, 2014/30/EU, 2011/65/EU & (EU)2015/863

Et conforme aux normes,
EN 62841-1, EN 62841-2-11, EN IEC 55014-1, EN IEC 55014-2, EN IEC 63000

La personne autorisée à compiler le dossier technique,
Nom **Marcel Filz**
Adresse **Positec Germany GmbH**
Postfach 680194, 50704 Cologne, Germany



2023/04/03
Allen Ding
Ingénieur en chef adjoint, Essais & Certification
Positec Technology (China) Co., Ltd
18, Dongwang Road, Suzhou Industrial
Park, Jiangsu 215123, P. R. China


ELEMENTI DELL'APPARECCHIO

1. Pulsante di blocco
2. Interruttore di accensione/spengimento
3. Area impugnatura
4. Pulsante di rilascio del pacco batteria*
5. Pacco batteria*
6. Chiave per piastre SDS
7. Adattatore per polvere
8. Piastra angolare
9. Piastra di base
10. Protezione per piastra di plastica
11. Controllo dell'azione pendolare
12. Guida a rullo
13. Lama sega
14. Guida parallela
15. Pomello di bloccaggio
16. Supporto lama senza attrezzi
17. Strumento di protezione delle dita
18. Leva di supporto lama senza attrezzi
19. Luce a LED

* Accessori illustrati o descritti non fanno necessariamente parte del volume di consegna.

DATI TECNICI

Codice **WS2308.9** (23-designazione del macchinario rappresentativo del Seghetto alternativo)

Tensione nominale		18V 
Velocità a vuoto		0-3500 /min
Lunghezza del tratto		26mm
Capacità di smusso		± 45°
Capacità di taglio	Legna	120mm
	Acciaio	10mm
Peso della macchina (strumento nudo)		2.2 kg

INFORMAZIONI SUL RUMORE

Pressione acustica ponderata A

Potenza acustica ponderata A

K_{pa} & K_{wa}

Indossare protezione per le orecchie.

$L_{PA} = 85$ dB(A)

$L_{WA} = 93$ dB(A)

5 dB(A)

ELEMENTI DELL'APPARECCHIO

I valori totali di vibrazione (somma vettoriale triassiale) sono determinati secondo lo standard EN 62841:

Taglio tavole	Valore emissione vibrazioni $a_{hB} = 6.83$ m/s ²
	Incertezza K = 1.5 m/s ²

Taglio di lamiere	Valore emissione vibrazioni $a_{h,M} = 6.49 \text{ m/s}^2$
	Incertezza $K = 1.5 \text{ m/s}^2$

Il valore totale di emissione di vibrazioni dichiarato e il valore di emissioni sonore dichiarati sono stati misurati in base a un metodo di collaudo standard e possono essere utilizzati per il confronto di un utensile con un altro.

Il valore totale di emissione di vibrazioni dichiarato e il valore di emissioni sonore dichiarato possono anche essere utilizzati in una valutazione preliminare dell'esposizione.



AVVERTENZA: le emissioni di vibrazioni e sonore durante l'uso effettivo dell'elettro utensile possono differire dal valore dichiarato in base alle modalità con cui esso viene utilizzato. In particolare quale tipo di pezzo viene lavorato dipende dai seguenti fattori e da altre variazioni sulle modalità di utilizzo dell'elettro utensile:

Come viene usato l'elettro utensile e quali sono i materiali tagliati o forati.

Le condizioni e la buona manutenzione dell'elettro utensile.

L'uso dell'accessorio corretto per il taglio e la sua affilatura, nonché le sue buone condizioni.

La tenuta della presa sulle impugnature e se vengono utilizzati eventuali accessori antivibrazioni e antirumore.

L'adeguatezza dell'utilizzo dell'elettro utensile rispetto a quanto previsto.

Questo elettro utensile potrebbe causare l'insorgenza della sindrome della vibrazione dell'avambraccio se il suo utilizzo non viene gestito correttamente.



AVVERTENZA: per essere precisi, una stima del livello di esposizione nelle attuali condizioni di utilizzo dovrebbe anche tenere conto di tutte le parti del ciclo operativo, come le volte in cui lo strumento viene spento e il tempo in cui viene lasciato girare a vuoto senza realmente fare il suo lavoro. Questo potrebbe ridurre significativamente il livello di esposizione sul periodo di lavoro totale.

Aiuto a minimizzare il rischio di esposizione alle vibrazioni e al rumore.

Usare sempre scalpelli, trapani e lame affilati.

Conservare questo elettro utensile sempre in conformità a queste istruzioni e mantenerlo ben lubrificato (dove appropriato).

Se l'utensile deve essere utilizzato regolarmente, investire in accessori antivibrazioni e antirumore.

Pianificare il lavoro in modo da suddividere i lavori che implicano le maggiori vibrazioni nell'arco di più giorni.

ACCESSORI

Adattatore per polvere	1
Guida parallela	1
Copertura della base	1
Lama per il taglio del legno	1

Si raccomanda di acquistare tutti gli accessori nello stesso negozio in cui è stato acquistato l'attrezzo. Fare riferimento alla confezione dell'accessorio per altri dettagli. Il personale del negozio può aiutarvi e consigliarvi.

SICUREZZA DEL PRODOTTO

AVVISI GENERALI PER LA SICUREZZA DEGLI UTENSILI A MOTORE



AVVERTENZA: Leggere tutte le avvertenze di sicurezza, le istruzioni, le illustrazioni e le specifiche fornite con questo elettroutensile. La mancata osservanza delle istruzioni elencate di seguito potrebbe provocare una scossa elettrica, un incendio e/o lesioni gravi.

Conservare tutti gli avvisi e le istruzioni per poterli consultare quando necessario.

Il termine «elettrodomestico elettrico» utilizzato di seguito in questo manuale si riferisce a utensili elettrici alimentati dalla rete (con linea di allacciamento), oltre che ad utensili elettrici alimentati a batteria (senza linea di allacciamento).

1. POSTO DI LAVORO

- a) **Mantenere pulito e ordinato il posto di lavoro.** Il disordine e le zone di lavoro non illuminate possono essere fonte di incidenti.
- b) **Evitare d'impiegare l'utensile in ambienti soggetti al rischio di esplosioni nei quali siano presenti liquidi, gas o polveri infiammabili.** Gli utensili elettrici producono scintille che possono incendiare polveri e gas.
- c) **Mantenere lontani i bambini e altre persone durante l'impiego dell'utensile elettrico.** Eventuali distrazioni potranno comportare la perdita di controllo sull'utensile.

2. SICUREZZA ELETTRICA

- a) **La spina elettrica dovrà essere adatta alla presa di corrente.** Evitare assolutamente di apportare modifiche alla spina. Non impiegare spine adattatrici assieme a utensili con collegamento a terra. Le spine non modificate e le prese adatte allo scopo riducono il rischio di scosse elettriche.
- b) **Evitare il contatto fisico con superfici collegate a terra, come tubi, apparecchiature per il riscaldamento, cucine elettriche e frigoriferi.** Nel momento in cui il corpo è messo a massa sussiste un maggior rischio di scosse elettriche.
- c) **Custodire l'utensile al riparo dalla pioggia o dall'umidità.** L'eventuale infiltrazione di acqua in un elettroutensile comporta un aumento del rischio d'insorgenza di scosse elettriche.
- d) **Non usare il cavo di alimentazione per scopi diversi da quelli previsti, al fine di trasportare o appendere l'elettrodomestico, oppure per staccare la spina dalla presa di corrente.** Mantenere l'elettrodomestico al riparo da fonti di calore, olio, spigoli o parti di strumenti in movimento. I cavi danneggiati o aggrovigliati aumentano il rischio d'insorgenza di scosse elettriche.
- e) **Qualora si voglia usare l'utensile all'aperto, impiegare solo ed esclusivamente cavi di prolunga omologati per l'impiego all'esterno.** L'uso di un cavo di prolunga omologato per l'impiego all'esterno riduce il rischio d'insorgenza di scosse elettriche.
- f) **Se si deve utilizzare l'elettrodomestico in un luogo umido, utilizzare una fonte di alimentazione dotata di interruttore differenziale.** L'uso di un interruttore differenziale riduce il rischio di folgorazioni elettriche.

3. SICUREZZA DELLE PERSONE

- a) **È importante concentrarsi su ciò che si sta facendo e maneggiare con giudizio l'elettrodomestico mentre si lavora.** Non utilizzare l'elettrodomestico quando si è stanchi o sotto

l'effetto di alcol, stupefacenti e medicinali. Un attimo di distrazione durante l'uso dell'elettrodomestico potrebbe causare lesioni gravi.

- b) **Indossare sempre dispositivi di protezione individuale, e guanti protettivi.** Se si avrà cura d'indossare equipaggiamento protettivo individuale come una maschera antipolvere, calzature antiscivolo di sicurezza, elmetto o dispositivi di protezione acustica, a seconda dell'impiego previsto per l'elettrodomestico, si potrà ridurre il rischio di lesioni.
 - c) **Evitare l'avviamento involontario. Controllare che l'interruttore sia nella posizione di spegnimento (off) prima di effettuare il collegamento a una fonte di alimentazione/batteria e prima di sollevare o trasportare l'elettrodomestico.** Il fatto di tenere il dito sopra all'interruttore o di collegare l'utensile acceso all'alimentazione di corrente potrebbe essere causa di incidenti.
 - d) **Togliere gli attrezzi di regolazione o la chiave inglese prima di accendere l'elettrodomestico.** Un attrezzo o una chiave inglese che si trovino in una parte della macchina che sta girando può causare lesioni a persone.
 - e) **È importante non sopravvalutarsi.** Avere cura di mettersi in una posizione sicura e di mantenere l'equilibrio. In tal modo sarà possibile controllare meglio la macchina in situazioni inaspettate.
 - f) **Indossare indumenti adeguati.** Evitare di indossare vestiti lenti o gioielli. Tenere i capelli e gli indumenti lontani dalle parti mobili. Vestiti lenti, gioielli o capelli lunghi potrebbero impigliarsi in parti in movimento.
 - g) **Se sussiste la possibilità di montare dispositivi di aspirazione o di captazione della polvere, assicurarsi che gli stessi siano stati installati correttamente e vengano utilizzati senza errori.** L'impiego dei suddetti dispositivi diminuisce il pericolo rappresentato dalla polvere.
 - h) **Non lasciare che la familiarità acquisita con l'utilizzo frequente dell'elettrodomestico si trasformi in autocompiacimento e trascuratezza dei principi di sicurezza.** Un'azione imprudente può causare lesioni gravi entro una frazione di secondo.
- ### 4. MANEGGIO E IMPIEGO ACCURATO DI ELETTROUTENSILI
- a) **Non sovraccaricare l'elettrodomestico.** Impiegare l'elettrodomestico adatto per eseguire il lavoro. Utilizzando l'elettrodomestico elettrico adatto si potrà lavorare meglio e con maggior sicurezza nell'ambito della gamma di potenza indicata.
 - b) **Non utilizzare elettroutensili con interruttori difettosi.** Un elettroutensile che non si può più accendere o spegnere è pericoloso e dovrà essere riparato.
 - c) **Staccare la spina dalla presa di corrente e/o rimuovere la batteria, se rimovibile, dall'elettrodomestico prima di effettuare qualsiasi regolazione, sostituire gli accessori o riporre gli utensili elettrici.** Tale precauzione eviterà che la macchina possa essere messa in funzione inavvertitamente.
 - d) **Custodire gli elettroutensili non utilizzati fuori della portata dei bambini.** Non fare usare l'apparecchio a persone non abituate a farlo o che non abbiano letto le presenti istruzioni. Gli elettroutensili sono pericolosi se utilizzati da persone inesperte.
 - e) **Eseguire la manutenzione di elettroutensile e accessori.** Verificare che le parti mobili dell'elettrodomestico funzionino perfettamente e non s'inceppino, che non ci siano pezzi rotti o danneggiati al punto tale da limitare la funzione della macchina stessa. Far riparare le parti danneggiate prima di utilizzare l'elettrodomestico. Numerosi incidenti vengono causati

da elettrotensili la cui manutenzione è stata effettuata in modo poco accurato.

- f) **Mantenere affilati e puliti gli utensili da taglio.** Gli utensili da taglio curati con particolare attenzione e con taglienti affilati s'inceppano meno di frequente e sono più facili da condurre.
- g) **Utilizzare elettrotensili, accessori, attrezzi, ecc. in conformità con le presenti istruzioni e secondo quanto previsto per questo tipo specifico di macchina.** Osservare le condizioni di lavoro e il lavoro da eseguire durante l'impiego. L'impiego di elettrotensili per usi diversi da quelli consentiti potrà dar luogo a situazioni di pericolo.
- h) **Mantenere le impugnature e le superfici di presa asciutte, pulite e prive di olio e grasso.** Le impugnature e le superfici di presa scivolose non permettono l'uso e il controllo sicuri dell'elettrotensile in situazioni impreviste.

5. MANEGGIO E IMPIEGO ACCURATO DELLE BATTERIE

- a) **Caricare la batteria solo ed esclusivamente con i dispositivi di carica consigliati dal produttore.** Per un dispositivo di carica previsto per un determinato tipo di batteria, sussiste pericolo di incendio, se utilizzato con una batteria di tipo diverso.
 - b) **Utilizzare negli elettrotensili elettrici solo ed esclusivamente le batterie previste per tale scopo.** L'uso di batterie di tipo diverso potrebbe dare insorgenza a lesioni a persone e comportare il rischio d'incendi.
 - c) **Tenere la batteria non utilizzata lontano da graffette, monete, chiavi, chiodi, viti o altri oggetti in metallo di piccole dimensioni che potrebbero causare un ponte tra i contatti.** Un eventuale cortocircuito tra i contatti della batteria può dare origine a bruciature o ad incendi.
 - d) **In caso di impiego sbagliato, possono verificarsi fuoriuscite di liquido dalla batteria. Evitarne il contatto. In caso di contatto casuale, sciacquare con acqua. Qualora il liquido dovesse entrare in contatto con gli occhi, chiedere immediato consiglio a un medico. Il liquido fuoriuscito dalla batteria può causare irritazioni cutanee o bruciature.**
 - e) **Non utilizzare una batteria o un elettrotensile danneggiati o modificati.** Le batterie danneggiate o modificate potrebbero manifestare un comportamento imprevedibile con la possibilità di causare un'esplosione o un incendio.
 - f) **Non esporre una batteria o un utensile al fuoco o a temperature elevate.** L'esposizione al fuoco o a una temperatura superiore a 130°C potrebbe provocare un'esplosione.
 - g) **Seguire tutte le istruzioni per la carica e non caricare la batteria o l'elettrotensile a una temperatura che non rientri nell'intervallo di valori specificato nelle istruzioni.** Una ricarica effettuata in maniera scorretta o a una temperatura che non rientra nell'intervallo di valori specificato, potrebbe danneggiare la batteria aumentando il rischio d'incendio.
- ## 6. ASSISTENZA
- a) **Fare riparare l'apparecchio esclusivamente da personale specializzato e solo impiegando pezzi di ricambio originali.** In tal modo potrà essere salvaguardata la sicurezza dell'apparecchio.
 - b) **Non riparare le batterie danneggiate.** Gli interventi di riparazione sulle batterie devono essere eseguiti dal costruttore o da fornitori di assistenza autorizzati.

AVVISI GENERALI PER LA SICUREZZA DEL SEGNETTO ALTERNATIVO

- 1. **Afferrare lo strumento per le apposite maniglie quando si eseguono operazioni durante le quali l'attrezzo potrebbe entrare in contatto con cavi nascosti.** L'accessorio di taglio può venire a contatto con un cavo alimentato e la corrente può passare attraverso le parti metalliche dell'utensile e esporre l'operatore al rischio di folgorazione.
- 2. **Usare morse o altri metodi pratici per fissare e sostenere il pezzo in lavorazione su una piattaforma stabile.** Tenere il pezzo in lavorazione con le mani o contro il corpo non ne assicura la stabilità e potrebbe comportare la perdita di controllo.

SIMBOLI



Per ridurre il rischio di lesioni, l'utente deve leggere il manuale di istruzioni



Indossare una protezione per gli occhi



Indossare protezioni per le orecchie



Indossare una maschera antipolvere



Avvertimento



I prodotti elettrici di scarto non devono essere smaltiti con i rifiuti domestici. Si prega di riciclare dove esistono strutture. Verificare con le autorità locali o il rivenditore per consigli sul riciclaggio.

ISTRUZIONI SUL FUNZIONAMENTO



NOTA: Leggere scrupolosamente il manuale delle istruzioni prima di usare l'attrezzo.

USO CONFORME ALLE NORME

In caso di appoggi fissi, la macchina è idonea per l'esecuzione di tagli di troncatura e di tagli dal pieno nel legno, in materie plastiche, nel metallo, nella piastra ceramica e nella gomma. Essa è adatta per tagli diritti e curvi con un angolo obliquo fino a 45°. Osservare sempre le indicazioni relative alle lame.

ASSEMBLEA

1. IMOZIONE E INSTALLAZIONE DELL'UNITÀ BATTERIA (NON FORNIT) (VEDERE FIGURA. A)

Premere il rilascio del pacco batteria per rimuoverlo dal trapano. Dopo la ricarica far scorrere la batteria attraverso la porta della batteria del trapano. Sarà sufficiente una leggera pressione.

2. MONTAGGIO DELLA LAMA SEGA (VEDERE FIGURA. B, C)

Ruotare la leva del portalamina senza attrezzi (Sega alternativa capovolta) e tenerla in posizione. Poi inserire completamente la lama nello slot del portalamina senza attrezzi con i denti della lama rivolti in avanti e rilasciare la leva del portalamina, che si bloccherà sopra la parte superiore della lama. Assicurarsi che il portalamina senza attrezzi sia bloccato in posizione. Provare a tirare nuovamente la lama fuori dal portalamina per assicurarsi che sia bloccata in posizione. Assicurarsi che il bordo della lama sia bloccato nella scanalatura della guida della lama. Per rimuovere una lama, ruotare nuovamente la leva del portalamina senza attrezzi e quindi sollevare la lama.



ATTENZIONE: i denti della lama sono molto affilati. Per ottenere i migliori risultati di taglio, assicurarsi di usare una lama adatta al materiale ed alla qualità di taglio necessaria.

3. GUIDA A RULLO (VEDERE FIGURA. D)

Assicurarsi che la lama sia posizionata e scorra senza problemi nella scanalatura, altrimenti la funzione pendolare non funzionerà correttamente e la lama non sarà supportata durante il taglio.

4. MONTAGGIO DELLA GUIDA PARALLELA (VEDERE FIGURA. E)

Inserire il braccio della guida parallela attraverso entrambi i fissaggi della guida parallela e stringere il dado di bloccaggio (a) per ottenere la distanza di taglio richiesta. La guida parallela può essere montata in due posizioni come mostrato nella Fig. E.

5. TUBO PER LA POLVERE (VEDERE FIGURA. F)

Montare il tubo per la polvere nell'apertura della piastra base. Assicurarsi che la punta in plastica del connettore per l'aspirapolvere si inserisca nell'apertura corrispondente sul corpo come mostrato nella Fig. F.

FUNZIONAMENTO

1. INTERRUPTORE DI SICUREZZA ON/OFF (VEDERE FIGURA. G)

Il pulsante di blocco può essere bloccato nella posizione OFF. Questo aiuta a ridurre la possibilità di avviamento accidentale quando non è in uso. Premere il pulsante di blocco verso sinistra o destra, quindi l'interruttore on/off e rilasciare il pulsante di blocco. Ora il tuo interruttore è acceso. Per spegnere, basta rilasciare l'interruttore on/off.

2. CONTROLLO AZIONE DI PENDOLO (VEDERE FIGURA. H)

L'azione di pendolo varia l'angolazione in avanti del taglio della lama per aumentare l'efficienza di taglio. Questa può essere regolata anche quando il motore funziona a vuoto. Fare riferimento alla Tabella 1 per i dettagli. Non esercitare pressione eccessiva quando si taglia usando la funzione di pendolo. La lama taglia solamente nella fase di corsa verso l'alto.

TABELLA 1	
0	Materiali fini. Tagli accurati. Curve strette.
I	Materiali duri (e.g. acciaio e truciolato)
II	Materiali spessi (e.g. legno e plastiche)
III	Tagli rapidi (e.g. legni teneri). Tagliare nella direzione della venatura del legno.

3. PIASTRA BASE

Regolare l'angolo della piastra base consente il taglio in falda. La piastra base deve essere sempre tenuta saldamente contro i materiali in fase di taglio per ridurre le vibrazioni della sega, il saltellamento della lama o la rottura della lama.

4. REGOLAZIONE DELL'ANGOLO DELLA PIASTRA BASE (VEDERE FIGURA. I1-13)

La tua sega a traforo è dotata di una piastra base SDS. Tieni la chiave a piastra SDS e tirala verso l'esterno fino a 90°. Tieni la piastra base SDS e muovila leggermente all'indietro. Ora la piastra base è allentata e può essere girata a sinistra o a destra fino a raggiungere l'angolo desiderato in base alle indicazioni della scala degli angoli riportate sulla piastra dell'angolo. Muovi la piastra base leggermente in avanti fino a quando i denti della piastra dell'angolo corrispondono esattamente a un piccolo blocco rialzato. Riporta la chiave a piastra SDS per bloccare la piastra base SDS nell'angolo richiesto. Controlla l'angolo e assicurati che la piastra base sia saldamente serrata.

Le indicazioni della scala degli angoli sulla piastra dell'angolo sono accurate per la maggior parte degli utilizzi generali, ma per un lavoro preciso si consiglia di impostare l'angolo con un goniometro e fare un taglio di prova su un altro materiale.

5. PROTEZIONE PER LE DITA

La protezione per le dita è situata di fronte al portalamina. Mentre lavori, aiuterà a prevenire il contatto accidentale con la lama in movimento.

6. LUCE DI LAVORO

Premi l'interruttore on/off, la luce di lavoro si illuminerà. Rilascia l'interruttore on/off per spegnere la luce di lavoro.



ATTENZIONE: Non guardare direttamente nella forte luce o verso la fonte luminosa.

CONSIGLI SUL FUNZIONAMENTO DEL SEGhetto ALTERNATIVO

Se l'attrezzo diventa troppo caldo, in modo particolare quando è usato a bassa velocità, impostare la velocità al massimo e farlo funzionare a vuoto per 2-3 minuti per raffreddare il motore. Evitare l'uso prolungato a velocità molto basse.

GENERALE

Usare sempre una lama adatta al materiale ed allo spessore da tagliare. Assicurarsi che il pezzo in lavorazione sia ben fissato con morsetti per prevenirne il movimento. Per un controllo più facile, usare la velocità minima per iniziare a tagliare e poi aumentarla fino a raggiungere la velocità corretta.

Tutti i movimenti del materiale possono influenzare la qualità di taglio. La lama taglia solamente nella fase di corsa verso l'alto e può scheggiare lo strato superiore. Assicurarsi che lo strato superiore sia una superficie non visibile a lavoro terminato.

TAGLIO DI LAMINATI

Usare una lama a denti fini quando si tagliano laminati e legni sottili. Per ridurre la scheggiatura dei lati, fissare un pezzo di legno su entrambe le estremità e su entrambi i lati, ed eseguire il taglio attraverso il legno.

TAGLI CIRCOLARI

Non usare l'azione di pendolo quando si eseguono tagli circolari o angolari.

TAGLIO DAL CENTRO (VEDERE FIGURA. J1, J2)

E' permesso seguire la tecnica di segare a tuffo soltanto in caso di lavorazione di materiali morbidi come legno, calcestruzzo poroso, lastre di gesso o simili! Utilizzare solo lame corte. Applicare la macchina sul pezzo in lavorazione poggiando il bordo anteriore del piedino ed avviarla. Premere bene la macchina contro il

pezzo in lavorazione e abbassare lentamente la lama nel pezzo in lavorazione. Non appena il piedino poggia completamente sulla superficie, continuare a segare lungo la linea di taglio.

TAGLIO DI METALLI

Usare una lama a denti fini per metalli ed una lama a denti grossi per materiali non metallici. Quando si tagliano lamine sottili di metallo, fissare sempre su un pezzo di legno entrambi e lati della lamina per ridurre le vibrazioni e gli strappi del foglio di metallo. Bisogna tagliare sia il foglio di metallo sia il legno. Non forzare la lama quando si tagliano fogli sottili di metallo o acciaio, perché i materiali più duri impiegano più tempo per essere tagliati. Una pressione eccessiva sulla lama può ridurre la durata della lama e danneggiare il motore. Per ridurre il calore durante i tagli dei metalli, aggiungere un po' di lubrificante sulla linea di taglio.

MANUTENZIONE

Rimuovere il pacco batteria dall'utensile prima di eseguire qualsiasi regolazione, riparazione o manutenzione.

L'attrezzo non richiede lubrificazione o manutenzione aggiuntiva. All'interno dell'attrezzo non ci sono parti riparabili da parte dell'utente. Non usare mai acqua o detersivi chimici per pulire l'attrezzo. Pulire con un panno asciutto. Immagazzinare sempre gli attrezzi elettrici in luoghi asciutti. Tenere pulite le aperture di ventilazione del motore. Tenere puliti dalla polvere tutti i controlli operativi. La formazione di scintille all'interno delle aperture di ventilazione, è un fenomeno normale che non crea danni all'attrezzo.

Per gli utensili a batteria

La temperatura ambientale raccomandata per l'uso e la conservazione dell'utensile e della batteria è di 0 °C-45 °C. La temperatura ambientale raccomandata per il caricabatterie durante la carica è di 0 °C-40 °C.

TUTELA AMBIENTALE



I prodotti elettrici non possono essere gettati tra i rifiuti domestici. L'apparecchio da rottamare deve essere portato al centro di riciclaggio per un corretto trattamento. Controllare con le autorità locali o con il rivenditore per localizzare il centro di riciclaggio più vicino.

DICHIARAZIONE DI CONFORMITÀ

Noi,
Positec Germany GmbH
Postfach 680194, 50704 Cologne, Germany

Dichiariamo che l'apparecchio,
Descrizione: **Seghetto alterno**
Codice: **WS2308.9 (23 - designazione del macchinario rappresentativo del Seghetto alternativo)**
Funzioni: **Segare vari materiali**

È conforme alle seguenti direttive,
2006/42/EC, 2014/30/EU, 2011/65/EU & (EU)2015/863

Conforme a,
EN 62841-1, EN 62841-2-11, EN IEC 55014-1, EN IEC 55014-2, EN IEC 63000

Il responsabile autorizzato alla compilazione della documentazione tecnica,

Nome **Marcel Filz**
Indirizzo **Positec Germany GmbH**
Postfach **680194, 50704 Cologne, Germany**



2023/04/03

Allen Ding

Vice capo ingegnere, testing e certificazione
Positec Technology (China) Co., Ltd
18, Dongwang Road, Suzhou Industrial
Park, Jiangsu 215123, P. R. China

LISTA DE COMPONENTES

1. Interruptor de destrabado
2. Interruptor de encendido/apagado
3. Zonas de agarre de las manos
4. Botón para soltar las baterías*
5. Baterías*
6. Llave sds
7. Adaptador de polvo
8. Placa angular
9. Placa base
10. Protección de la placa base de plástico
11. Control de la acción del péndulo
12. Guía de rodillos
13. Hoja de sierra
14. Guía paralela
15. Perilla de fijación
16. Portacuchillas sin herramientas
17. Protección de los dedos
18. Palanca de soporte de cambio rápido de hoja de sierra
19. Luz de trabajo

* No todos los accesorios ilustrados o descritos están incluidos en la entrega estándar.

DATOS TÉCNICOS

Tipo WS2308.9 (23-designación de maquinaria, representativa de Sierra caladora a batería)

Voltaje		18V
Velocidad Sin carga		0-3500 /min
Longitud de trabajo		26mm
Capacidad de bisel		± 45°
Capacidad de corte	Madera	120mm
	Acero	10mm
Peso de la máquina (Bare tool)		2.2 kg

INFORMACIÓN SOBRE EL RUIDO

Nivel de presión acústica ponderada

Nivel de potencia acústica ponderad

K_{PA} & K_{WA}

$L_{PA} = 85$ dB(A)

$L_{WA} = 93$ dB(A)

5 dB(A)

Utilice protección auditiva.

INFORMACIÓN SOBRE LAS VIBRACIONES

Valores totales de vibración (suma vectorial triangular) determinados según la norma EN 62841:

Tabla para cortar	Valor de emisión de vibración $a_{h,B} = 6.83$ m/s ²
	Incertidumbre $K = 1.5$ m/s ²
Corte de chapa metálica	Valor de emisión de vibración $a_{h,M} = 6.49$ m/s ²
	Incertidumbre $K = 1.5$ m/s ²

El valor total de vibraciones declarado y el valor de emisiones acústicas declarado se han medido de conformidad con un método de prueba estándar y pueden utilizarse para realizar comparaciones entre herramientas.

El valor total de vibraciones declarado y el valor de emisiones acústicas declarado también pueden utilizarse en una evaluación preliminar de la exposición.



ADVERTENCIA: Las vibraciones y las emisiones acústicas que se producen durante el uso de la herramienta eléctrica pueden variar respecto a los valores declarados en función de cómo se utilice la herramienta, especialmente dependiendo del tipo de pieza de trabajo que se procese y de otras formas de usar la herramienta:

Cómo se utiliza la herramienta y se cortan o perforan los materiales.

Si la herramienta se encuentra en buenas condiciones de mantenimiento.

Si se utiliza el accesorio correcto para la herramienta y se garantiza que está afilado y en buenas condiciones.

La firmeza de sujeción de las empuñaduras, y el uso de accesorios para reducir las vibraciones y el ruido.

Y si la herramienta se utiliza según su diseño y estas instrucciones.

Esta herramienta podría causar síndrome de vibración del brazo y la mano si no se utiliza correctamente.



ADVERTENCIA: Para conseguir una mayor precisión, debe tenerse en cuenta una estimación del nivel de exposición en condiciones reales de todas las partes del ciclo de uso, como los tiempos durante los que la herramienta está apagado o cuando está en funcionamiento pero no está realizando ningún trabajo. Ello podría reducir notablemente el nivel de exposición sobre el periodo de carga total.

Minimización del riesgo de exposición a las vibraciones y el ruido.

Utilice SIEMPRE cinceles, brocas y cuchillas afiladas.

Mantenga esta herramienta de acuerdo con estas instrucciones y bien lubricada (si es necesario).

Si la herramienta se va a utilizar de forma habitual, se recomienda adquirir accesorios para reducir las vibraciones y el ruido.

Planifique su programa de trabajo para distribuir el uso de la herramienta a lo largo de varios días.

ACCESORIOS

Adaptador de polvo	1
Adaptador para aspiradora	1
Cubierta de la base	1
Hoja de corte de madera	1

Le recomendamos comprar los accesorios mencionados en la lista anterior en el mismo comercio en que compró la herramienta. Consulte el paquete de accesorios para más detalles. El personal del comercio puede ayudarle aconsejarle.

SEGURIDAD DEL PRODUCTO

ADVERTENCIAS DE SEGURIDAD

GENERALES PARA LA HERRAMIENTA ELÉCTRICA



ADVERTENCIA: Lea todas las advertencias de seguridad, instrucciones, ilustraciones y especificaciones que acompañan a esta herramienta eléctrica. *El no seguir todas las instrucciones a continuación puede ocasionar descargas eléctricas, incendios y/o heridas graves.*

Conserve todas las advertencias e instrucciones para consulta futura. El término "herramienta eléctrica" que figura en todas las advertencias que aparecen a continuación hace referencia a la herramienta que funciona con la red de suministro eléctrico (con cable) o a la herramienta eléctrica accionada a baterías (sin cable).

1) ÁREA DE TRABAJO

- a) Mantenga su lugar de trabajo limpio y bien iluminado. Bancos de trabajo desordenados y lugares oscuros invitan a los accidentes.
- b) No utilice herramientas eléctricas en atmósferas explosivas, como por ejemplo en presencia de líquidos, inflamables, gases o polvo. Las herramientas eléctricas crean chispas que pueden encender el polvo o los vapores.
- c) Mantenga a los espectadores, niños y visitantes a una distancia prudente cuando esté utilizando una herramienta eléctrica. Las distracciones pueden hacerle perder el control.

2) SEGURIDAD ELÉCTRICA

- a) Los enchufes de las herramientas eléctricas deben coincidir con el tomacorriente. No modifique de algún modo el enchufe. No utilice enchufes adaptadores con herramientas eléctricas conectadas a tierra. Si no se modifican los enchufes y se utilizan los tomacorrientes adecuados, se reducirá el riesgo de una descarga eléctrica.
- b) Evite el contacto del cuerpo con las superficies conectadas a tierra tales como tuberías, radiadores, estufas de cocina y refrigeradores. Existe mayor riesgo de que se produzcan descargas eléctricas si su cuerpo está conectado a tierra.
- c) No exponga las herramientas eléctricas a la lluvia ni a los ambientes húmedos. La entrada de agua en una herramienta eléctrica aumenta el riesgo de que se produzcan descargas eléctricas.
- d) No abuse del cable. Nunca use el cable para transportar las herramientas ni para sacar el enchufe de un tomacorriente. Mantenga el cable alejado del calor, el aceite, los bordes afilados o las piezas móviles. Los cables dañados aumentan el riesgo de que se produzcan descargas eléctricas.
- e) Cuando opere una herramienta eléctrica en exteriores, use un cable de extensión adecuado para uso en exteriores. El uso de un cable adecuado para uso en exteriores reduce el riesgo de descargas eléctricas.
- f) Si operar una herramienta eléctrica en un lugar húmedo es inevitable, use un elemento protegido del dispositivo de corriente residual (RCD). El uso de un RCD reduce el riesgo de descargas eléctricas.

3) SEGURIDAD PERSONAL

- a) Manténgase alerta, fíjese en lo que está haciendo y use el sentido común cuando utilice una herramienta eléctrica. No use la herramienta cuando esté cansado o se encuentre

bajo la influencia de drogas, alcohol o medicamentos. Un momento de distracción al utilizar herramientas eléctricas puede dar lugar a lesiones personales graves.

- b) **Utilice equipo de seguridad. Use siempre protección ocular.** La utilización del equipo de seguridad como máscara antipolvo, zapatos de seguridad antideslizantes, casco o protección auditiva para condiciones adecuadas reducirá el riesgo de lesiones personales.
 - c) **Evite el arranque accidental. Asegúrese de que el interruptor esté en la posición de trabado o de apagado antes de instalar el paquete de baterías.** Transportar herramientas con el dedo en el interruptor o instalar el paquete de batería cuando el interruptor está encendido invitan a los accidentes.
 - d) **Retire las llaves o claves de ajuste antes de encender la herramienta.** Una llave o clave de ajuste dejada en una parte giratoria de la herramienta puede causar una lesión personal.
 - e) **No se extralimite. Mantenga un apoyo de los pies y un equilibrio adecuados en todo momento.** El apoyo de los pies y el equilibrio adecuados permiten un mejor control de la herramienta en situaciones inesperadas.
 - f) **Vístase apropiadamente. No se ponga ropa holgada ni joyas.** Mantenga su cabello, ropa y guantes alejados de las piezas móviles. La ropa holgada, las joyas o el pelo largo pueden quedar atrapados en las piezas móviles.
 - g) **Si se proporcionan dispositivos para la extracción y recolección de polvo, asegúrese que estos estén conectados y utilizados correctamente.** El uso de estos dispositivos puede reducir peligros relacionados con el polvo.
 - h) **No permita que la familiaridad obtenida a partir del uso frecuente de otras herramientas le permita volverse complaciente e ignorar los principios de seguridad de la herramienta.** Una acción descuidada puede causar lesiones severas en una fracción de segundo.
- #### 4) USO Y CUIDADO DE LA HERRAMIENTA
- a) **No fuerce la herramienta.** Emplee la herramienta correcta para la aplicación que desea. La herramienta correcta hará el trabajo mejor y con más seguridad a la capacidad nominal para la que está diseñada.
 - b) **No utilice la herramienta si el interruptor no la enciende o apaga.** Toda herramienta que no se pueda controlar con el interruptor es peligrosa y debe ser reparada.
 - c) **Desconecte la batería de la herramienta o ponga el interruptor en la posición de trabado o de apagado antes de hacer cualquier ajuste, cambio de accesorios o guardar la herramienta.** Estas medidas de seguridad preventivas reducen el riesgo de encender la herramienta accidentalmente.
 - d) **Guarde las herramientas que no esté usando fuera del alcance de los niños y otras personas no capacitadas.** Las herramientas son peligrosas en las manos de los usuarios no capacitados.
 - e) **Mantenga las herramientas con cuidado.** Compruebe la desalineación o el atasco de las piezas móviles, la ruptura de piezas y cualquier otra situación que pueda afectar el funcionamiento de las herramientas. Si la herramienta está dañada, hágala arreglar antes de usarla. Muchos accidentes son causados por herramientas mantenidas deficientemente.
 - f) **Conserve las herramientas de corte afiladas y limpias.** Las herramientas mantenidas adecuadamente, con bordes de corte afilados, tienen menos probabilidades de atascarse y son más fáciles de controlar.
 - g) **Utilice la herramienta eléctrica, accesorios, brocas de la herramienta, etc. de acuerdo con estas instrucciones**

y de la manera adecuada para el tipo de herramienta eléctrica, teniendo en cuenta las condiciones de trabajo y el trabajo que se realizará. La utilización de la herramienta eléctrica para operaciones diferentes de aquellas para las que se encuentra diseñada podría dar lugar a una situación peligrosa.

- h) Mantenga las manijas y las superficies de sujeción secas, limpias y libres de aceite y grasa. Las manijas y superficies de sujeción resbaladizas no permiten el manejo y control seguros de la herramienta en situaciones inesperadas.
- 5) UTILIZACIÓN Y CUIDADO DE LA HERRAMIENTA ACCIONADA A BATERÍAS
- a) Una herramienta accionada a baterías que tenga baterías integradas o un paquete de baterías separado se debe recargar solamente con el cargador especificado para la batería. *Un cargador que puede ser adecuado para un tipo de batería puede crear un peligro de incendio cuando se usa con otra batería.*
- b) Utilice la herramienta accionada a baterías solamente con el paquete de baterías designado específicamente. *El uso de cualquier otra batería puede crear un peligro de incendio.*
- c) Cuando el paquete de baterías no se usa, manténgalo alejado de otros objetos metálicos como: sujetapapeles, monedas, clavos, tornillos u otros pequeños objetos de metal capaces de hacer una conexión entre los terminales. *El cortocircuito de los terminales de una batería puede causar chispas, quemaduras o incendio.*
- d) Bajo condiciones abusivas, la batería puede expulsar líquido; evite el contacto. Si ocurre un contacto accidental, enjuagar con agua. Si el líquido entra en contacto con los ojos, busque ayuda médica. *El líquido expulsado por la batería puede causar irritación o quemaduras.*
- e) No use un paquete de batería o una herramienta que esté dañada o modificada. *Las baterías dañadas o modificadas pueden presentar un comportamiento imprevisto que resulte en incendios, explosión o riesgo de lesiones.*
- f) No exponga un paquete de batería o herramienta a fuego o temperatura excesiva. *La exposición a fuego o temperatura mayor a 130°C pueden causar una explosión.*
- g) Siga todas las instrucciones de carga y no cargue el paquete de batería o la herramienta fuera del rango de temperatura especificado en las instrucciones. *Cargar inadecuadamente o en temperaturas fuera del rango especificado pueden dañar la batería e incrementar el riesgo de incendio.*
- 6) REPARACIÓN
- a) La herramienta debe ser reparada por una persona calificada de servicio técnico y se deben utilizar partes de reemplazo originales. *Esto asegurará el mantenimiento de la seguridad de la herramienta eléctrica.*
- b) Nunca dé servicio a paquetes de batería dañados. *El servicio de paquetes de batería sólo debe ser realizado por el fabricante o proveedores de servicio autorizados.*

ADVERTENCIAS DE SEGURIDAD PARA LA SIERRA CALADORA

1. Sostenga la sierra caladora mediante superficies de agarre aisladas, cuando realice una operación en la que el accesorio de corte pueda ponerse en contacto con el cableado oculto. *El accesorio de corte que entre en*

contacto con un cable "en vivo" puede hacer que las partes metálicas expuestas de la herramienta eléctrica "vivan" y podría dar al operador una descarga eléctrica.

2. Utilice abrazaderas u otra forma práctica de fijar y apoyar la pieza de trabajo a una plataforma estable. *Sostener la pieza de trabajo a mano o contra el cuerpo la deja inestable y puede llevar a la pérdida de control.*

SÍMBOLO



Para reducir el riesgo de lesiones, el usuario debe leer el manual de instrucciones.



Usar protección para los ojos.



Usar protección para los oídos.



Usar mascarilla antipolvo.



Advertencia



Waste electrical products must not be disposed of with household waste. Please recycle where facilities exist. Check with your local authorities or retailer for recycling advice.

INSTRUCCIONES DE FUNCIONAMIENTO



NOTA: Antes de utilizar la herramienta, lea atentamente el libro de instrucciones.

USO PREVISTO

La máquina está diseñada para aserrar madera, plástico, metal y materiales de construcción mientras se apoye firmemente sobre la pieza de trabajo. Es adecuado para cortes rectos y curvos con ángulos de bisel a 45°. Las recomendaciones de la hoja de sierra deben observarse.

ENSAMBLAJE

1. PARA RETIRAR O INSTALAR LAS BATERÍAS (NO SUMINISTRADO) (VÉASE FIG. A)

Presione el botón de desenganche de baterías para soltar y deslizar la batería fuera de su herramienta. Tras la recarga, deslicela de nuevo en su herramienta. Un simple empuje y una ligera presión serán suficientes.

2. COLOCACIÓN DE LA HOJA DE SIERRA (VÉASE FIG. B, C)

Gire la palanca del soporte de cambio rápido de la hoja de sierra (coloque la sierra caladora al revés) y mantenga la posición. A continuación, inserte completamente la hoja en la ranura del porta cuchillas de cambio rápido con los dientes de la hoja mirando hacia adelante y suelte la palanca del soporte de la hoja, que sujetará sobre la parte superior de la hoja. Asegúrese de que el soporte de la hoja de cambio rápido esté bloqueado en su lugar. Intente extraer la cuchilla del soporte de la hoja de

nuevo para asegurarse de que está bloqueada en su posición. Asegúrese de que el borde de la hoja se encuentra en la ranura de la guía de la hoja. Para retirar una cuchilla, vuelva a girar la palanca del soporte de la hoja de cambio rápido y, a continuación, levante la cuchilla.



ADVERTENCIA: los dientes de la hoja son muy afilados. Para obtener los mejores resultados de corte, asegúrese de utilizar una hoja adecuada al material y a la calidad de corte que necesita.

3. GUÍA DE LA HOJA DE SIERRA (VÉASE FIG. D)

Asegúrese de que la hoja esté situada y funcione sin problemas en la ranura, de lo contrario la función de péndulo no funcionará correctamente y la hoja no funcionará correctamente durante el corte.

4. CÓMO MONTAR LA GUÍA PARALELA (VÉASE FIG. E)

Deslice el brazo de la guía paralela a través de ambos accesorios de la guía paralela y apriete la perilla de fijación (a) para lograr la distancia de corte requerida. La guía paralela se puede montar en dos posiciones como se muestra en E.

5. TUBO DE ASPIRACION POLVO (VÉASE FIG. F)

Monte el tubo de aspiración de polvo en la abertura de la placa base. Asegúrese de que la punta de plástico de la conexión de vacío se enganche a la abertura correspondiente en la carcasa como se muestra en la figura F.

OPERACIÓN

1. INTERRUPTOR DE ENCENDIDO/APAGADO (VÉASE FIG. G)

El botón de bloqueo se puede bloquear en la posición OFF. Esto ayuda a reducir la posibilidad de arranque accidental cuando no está en uso. Presione el botón de bloqueo a la izquierda o a la derecha y luego encienda/apague el botón de bloqueo. Tu interruptor está encendido. Para apagarlo, simplemente suelte el interruptor de encendido/apagado.

2. CONTROL DE LA ACCIÓN DE PÉNDULO (VÉASE FIG. H)

La acción del péndulo varía el ángulo de corte hacia adelante de la hoja para aumentar la eficiencia de corte. Esto también se puede ajustar durante la ejecución sin carga. Consulte el gráfico 1 para obtener más detalles. No utilice una fuerza excesiva de la hoja al cortar con la acción del péndulo. La hoja corta solo en la dirección hacia arriba.

Gráfico 1	
0	Materiales finos. Cortes finos. Curvas ajustadas.
I	Materiales duros (por ejemplo, acero y aglomerado)
II	Materiales gruesos (por ejemplo, madera) y plástico
III	Cortes rápidos (por ejemplo, madera blanda). Corte en la dirección de la veta de la madera.

3. PLACA BASE

El ajuste del ángulo de la placa base permite el corte en bisel. La placa base debe sujetarse siempre firmemente contra los materiales que se cortan para reducir la vibración de la sierra, el salto de la hoja o la rotura de la hoja.

4. AJUSTE DE LA PLACA BASE (VÉASE FIG. I1-I3)

Su sierra Caladora está equipada con la placa base SDS. Sujete la llave de la placa SDS y tire de ella hacia afuera a 90°. Mantenga la placa base SDS y muévela hacia atrás un poco. Ahora la

placa base está aflojada y se puede girar ya sea a la izquierda o derecha a un ángulo deseado de acuerdo con la escala de ángulo marcada mostrada en la placa angular. Mueva la placa base hacia adelante un poco hasta que los dientes de la placa angular coincidan exactamente con un pequeño bloque elevado. Gire la llave de la placa SDS para bloquear la placa base SDS en el ángulo requerido. Controle el ángulo y asegúrese de que la placa base está firmemente sujeta.

Las marcas de la escala angular en la placa angular son precisas para la mayoría de los propósitos generales, pero se recomienda para un trabajo preciso, establecer el ángulo con un transportador y hacer un corte de prueba en otro material.

5. PROTECCIÓN DE LOS DEDOS

La protección de los dedos se encuentra delante del portacuchillas. Mientras trabaja, ayudará a prevenir el contacto accidental con la cuchilla en movimiento.

6. LUZ DE TRABAJO

Pulse el interruptor de encendido/apagado, la luz de trabajo se iluminará.

Suelte el interruptor de encendido/apagado para apagar la luz de trabajo.



PRECAUCIÓN: No mire en la luz fijamente ni vea la luz directamente.

CONSEJOS DE TRABAJO PARA SU SIERRA CALADORA

Si la sierra caladora toma demasiada temperatura, especialmente cuando se usa a baja velocidad, ajuste la velocidad al máximo y hágala funcionar sin carga durante 2-3 minutos para enfriar el motor. Evite el uso prolongado a velocidades muy bajas.

GENERAL

Utilice siempre una hoja de sierra adecuada para el material y el espesor del material que se va a cortar. Asegúrese siempre de que la pieza de trabajo esté firmemente sujeta para evitar el movimiento. Para un control más fácil, utilice la velocidad baja para comenzar a cortar, luego aumente para corregir la velocidad. Cualquier movimiento del material puede afectar a la calidad del corte. La hoja corta en dirección hacia arriba y puede astillar la superficie superior o la cara de la pieza de trabajo. Asegúrese de que la superficie superior sea una superficie no visible cuando el trabajo haya terminado.

CORTE DE LAMINADOS

Utilice una cuchilla de diente fina al cortar la mayoría de los laminados y materiales de madera fina. Para reducir el astillado de bordes, sujete piezas de madera de desecho en ambos extremos en ambos lados y corte a través de la madera de desecho durante el corte.

CORTE EN CÍRCULO

No utilice la acción del péndulo al cortar círculos o ángulos estrechos.

ASERRADO POR PENETRACION (VÉASE FIG. J1, J2)

El corte por inmersión solo se puede utilizar en materiales blandos como madera, hormigón aireado, tableros de yeso, etc. Utilice sólo cuchillas de sierra cortas.

Coloque el borde frontal de la placa base en la pieza de trabajo y enciéndalo. Presione la máquina firmemente contra la pieza de trabajo y penetre la hoja de la sierra lentamente en la pieza de

trabajo.

Tan pronto como la superficie completa de la placa base se apoya en la pieza de trabajo, continúe empujando a lo largo de la línea de corte.

CORTE DE METAL

Utilice una hoja de dientes más fina para metales ferrosos y una hoja de dientes gruesa para metales no ferrosos. Al cortar chapas finas, siempre sujete una madera a ambos lados de la hoja para reducir la vibración o el desgarro de la chapa metálica. Tanto la madera como la chapa metálica deben cortarse. No fuerce la cuchilla de corte al cortar metal fino o chapa de acero, ya que son materiales más duros y tardará más en cortarse. La fuerza excesiva sobre la hoja puede reducir la vida útil de la hoja o dañar el motor. Para reducir la temperatura de la hoja durante el corte de metal, agregue un poco de lubricante a lo largo de la línea de corte.

MANTENIMIENTO

Antes de empezar cualquier tarea de ajuste, mantenimiento o reparación, debe extraerse la batería de la herramienta.

Su herramienta eléctrica no requiere de lubricación ni mantenimiento adicional.

No posee piezas en su interior que deban ser reparadas por el usuario. Nunca emplee agua o productos químicos para limpiar su herramienta. Use simplemente un paño seco. Guarde siempre su herramienta en un lugar seco. Mantenga limpias las ranuras de ventilación del motor. Mantenga todos los controles de funcionamiento libres de polvo. La observación de chispas que destellan bajo las ranuras de ventilación indica un funcionamiento normal que no dañará su herramienta.

Para las herramientas a batería

El rango de temperatura ambiente de funcionamiento y almacenamiento para la herramienta y la batería es de 0°C-45°C.

El rango de temperatura ambiente recomendado para el Sistema de carga durante el proceso de carga es de 0°C-40°C.

PROTECCIÓN AMBIENTAL



Los residuos de aparatos eléctricos y electrónicos no deben depositarse en la basura doméstica. Se deben reciclar en las instalaciones especializadas. Consulte a las autoridades locales o el establecimiento para saber cómo reciclar estos productos.

DECLARACIÓN DE CONFORMIDAD

Los que reciben,
Positec Germany GmbH
Postfach 680194, 50704 Cologne, Germany

Declaran que el producto,
Descripción **Sierra de calar inalámbrica**
Modelo **WS2308.9 (23 - denominaciones de maquinaria, representantes de Sierra de Calar)**
Funciones **Sierras de diversos materiales**

Cumple con las siguientes Directivas :
2006/42/EC, 2014/30/EU, 2011/65/EU & (EU)2015/863

Cumple las normativas
EN 62841-1, EN 62841-2-11, EN IEC 55014-1, EN IEC 55014-2, EN IEC 63000

La persona autorizada para componer el archivo técnico,

Nombre **Marcel Filz**
Dirección **Positec Germany GmbH**
Postfach **680194, 50704 Cologne, Germany**



2023/04/03

Allen Ding
Ingeniero Jefe Adjunto. Pruebas y Certificación
Positec Technology (China) Co., Ltd
18, Dongwang Road, Suzhou Industrial
Park, Jiangsu 215123, P. R. China

СПИСЪК НА КОМПОНЕНТИТЕ

1. бутон за заключване
2. превключвател за включване/изключване
3. зона за хващане с ръка
4. бутон за освобождаване на батерията*
5. батериен пакет*
6. гаечен ключ за SDS плоча
7. адаптер за прах
8. ъглова плоча
9. основна плоча
10. защита на пластмасовата стъпка
11. контрол на пенделно движение
12. ролково ръководство
13. нож за рязане
14. паралелно ръководство
15. заключващ бутон
16. държач за нож без инструменти
17. инструмент за защита на пръстите
18. лост за държач на нож без инструменти
19. светодиодно осветление

* Не всички илюстрирани или описани аксесоари са включени в стандартната доставка.

ТЕХНИЧЕСКИ ДАННИ

Тип **WS2308.9** (23-обозначение на машини, представителни за безжичен прободен трион)

Номинално напрежение		18V \equiv
Скорост на празен ход		0-3500 /min
Дължина на удара		26mm
Капацитет на фаска		$\pm 45^\circ$
Капацитет на рязане	Дърво	120mm
	Стомана	10mm
Тегло на машината (Гол инструмент)		2.2 kg

ИНФОРМАЦИЯ ЗА ШУМА

A-претеглено звуково налягане

A-претеглена звукова мощност

K_{PA} & K_{WA}

Носете антифони.

$L_{PA} = 85 \text{ dB(A)}$

$L_{WA} = 93 \text{ dB(A)}$

5 dB(A)

ИНФОРМАЦИЯ ЗА ВИБРАЦИИТЕ

Обща стойност на вибрациите (триаксиална векторна сума), определена според БДС EN 62841:

Рязане на плоскости	Стойност на вибрационните емисии $a_{h,B} = 6.83 \text{ m/s}^2$
	Неопределеност $K = 1.5 \text{ m/s}^2$

Рязане на стомана	Стойност на вибрационните емисии $a_{v,M} = 6.49 \text{ m/s}^2$
	Неопределеност $K = 1,5 \text{ m/s}^2$

Декларираната обща стойност на вибрациите и декларираната стойност на емисиите на шум са измерени в съответствие със стандартен метод за измерване и могат да бъдат използвани за сравняване на един инструмент с друг.

Декларираната обща стойност на вибрация и декларираната емисия на шум може да се използва за предварителна оценка на експозицията.

⚠ ПРЕДУПРЕЖДЕНИЕ: Стойността на емисиите на вибрации и шум при реално използване на електроинструмента може да се различава от декларираната стойност според начините, по които инструментът се използва, в зависимост от следните примери и други варианти за начина на използване на инструмента:

Как се използва инструментът и какви материали се режат или пробиват. Добро състояние и правилна поддръжка на инструмента.

Използване на правилните аксесоари за инструмента и поддържането му остър и в добро състояние.

Стегнат захват на ръкохватките и използване на противовибрационни и противошумови аксесоари.

Употреба на инструмента според дизайна му и тези инструкции.

Този инструмент може да предизвика синдром на вибрация „ръка-рамо“, ако употребата му не се управлява адекватно.

⚠ ПРЕДУПРЕЖДЕНИЕ: За да бъдем точни, е необходимо също да се вземе предвид оценката на нивото на експозиция в реалните условия на експлоатация за всички части на работния цикъл като например времето, през което инструментът е изключен и когато работи на празен ход без реално да извършва работа. Това може значително да намали нивото на експозиция през общия работен период. Как да намалите риска от експозиция на вибрации и шум:

Винаги използвайте остри длета, свредла и ножове.

Грижете се за инструмента според тези инструкции и го поддържайте смазан (където е приложимо). Ако инструментът ще се използва редовно, инвестирайте в противовибрационни и противошумови аксесоари.

Планирайте работния си график, за да разпределите употребата на високовибрационни инструменти в няколко отделни дни.

АКСЕСОАРИ

Адаптер за прах	1
Паралелно ръководство	1
Основен капак	1
Нож за рязане на дърво	1

Препоръчваме ви да закупите аксесоарите си от същия магазин, в който сте продали инструмента. Вижте опаковката на аксесоарите за повече подробности. Персоналът на магазина може да ви помогне и да ви предложи съвет.

ОРИГИНАЛНИ ИНСТРУКЦИИ ОБЩИ ПРЕДУПРЕЖДЕНИЯ ЗА БЕЗОПАСНОСТ ЗА ЕЛЕКТРОИНСТРУМЕНТИ



ВНИМАНИЕ: Прочетете всички предупреждения за безопасност, инструкции, илюстрации и спецификации, предоставени с този електроинструмент. Неспазването на всички посочени инструкции може да доведе до токов удар, пожар и/или сериозно нараняване.

Запазете всички предупреждения и инструкции за бъдеща справка.

Терминът „електроинструмент“ в предупрежденията се отнася за вашите електроинструменти, захранвани от мрежата (с кабел) или за електроинструментите, работещи с батерия (без кабел).

1) БЕЗОПАСНОСТ НА РАБОТНАТА ЗОНА

- a) **Пазете работната зона чиста и добре осветена.** Разхвърляните или тъмни зони предизвикват инциденти.
- b) **Не използвайте електроинструменти във взривоопасна атмосфера, например в присъствието на запалими течности, газове или прах.** Електроинструментите произвеждат искри, които могат да запалят прах или изпарения.
- c) **Дръжте деца и странични лица далеч, докато работите с електроинструмент.** Разсейването може да доведе до загуба на контрол.

2) ЕЛЕКТРОБЕЗОПАСНОСТ

- a) **Щепселите на електрическия инструмент трябва да съответстват на контакта. Никога не модифицирайте щепсела по никакъв начин. Не използвайте никакви адаптерни щепсели със заземени електроинструменти.** Немодифицираните щепсели и подходящите контакти ще намалят риска от токов удар.
- b) **Избягвайте контакт на тялото със заземени повърхности, като например тръби, радиатори, печки и хладилници.** Съществува повишен риск от токов удар, ако тялото ви бъде заземено.
- c) **Не излагайте електроинструментите при дъжд или мокри условия.** Водата, навлизаща в електроинструмента, ще увеличи риска от токов удар.
- d) **Не повреждайте кабела. Никога не използвайте кабела, за да носите, дърпате или изключвате електроинструмента. Дръжте кабела далеч от топлина, масло,**

остри ръбове или движещи се части.

Повредените или заплетени кабели повишават риска от токов удар.

- e) **Когато работите с електроинструмент на открито, използвайте удължителен кабел, подходящ за външна употреба.** Употребата на кабел, подходящ за употреба на открито, намалява риска от токов удар.
- f) **Ако работата с електроинструмент на влажно място е неизбежна, използвайте защитено захранване с дефектнотокова защита (ДТЗ).** Използването на ДТЗ намалява риска от токов удар.

3) ЛИЧНА БЕЗОПАСНОСТ

- a) **Бъдете нащрек, внимавайте какво правите и използвайте здравия си разум, когато работите с електроинструмент. Не използвайте електроинструмент, когато сте изморени или под влияние на наркотици, алкохол или лекарства.** Момент невнимание при работа с електроинструмент може да доведе до сериозни наранявания.
- b) **Носете лично защитно оборудване. Винаги носете защита за очите.** Предпазните средства като противопрахова маска, предпазни обувки против пързаяне, каска или антифони, използвани за подходящите условия, ще намалят нараняванията.
- c) **Предотвръщане на неволно стартиране. Уверете се, че превключвателят е в позиция изкл. (off), преди свързване към източник на захранване и/или батериен пакет, вземане или носене на инструмента.** Носенето на електроинструменти с пръст върху превключвателя или включването им при натиснат превключвател може да доведе до злополуки.
- d) **Извадете всеки регулиращ ключ или гаечен ключ, преди да включите електрическия инструмент.** Гаечен ключ или друге ключ, прикрепен към въртяща се част на електроинструмента, може да доведе до наранявания.
- e) **Не дръжте инструмента твърде далече. Непрекъснато спазвайте подходящо положение и баланс.** Това спомага за по-доброто управление на електроинструмента в непредвидени ситуации.
- f) **Носете подходящо облекло. Не носете широки дрехи или бижута. Дръжте косата и дрехите си далеч от движещи се части.** Широките дрехи, бижута или дългата коса могат да бъдат захванати от движещите се части.
- g) **Ако са осигурени устройства за свързване на уреди за извличане и събиране на прах, уверете се, че те са**

- свързани и се използват правилно. Събирането на прах може да намали опасностите, свързани с праха.
- h) **Не позволявайте познанието, придобито от честата употреба на инструменти, да ви позволи да изгубите бдителността си и да игнорирате принципите за безопасност на инструментите.** *Небрежното действие може да причини тежко нараняване в рамките на части от секундата.*
- 4) **ИЗПОЛЗВАНЕ И ГРИЖА ЗА ЕЛЕКТРОИНСТРУМЕНТА**
- a) **Не претоварвайте електроинструмента.** Използвайте правилния електроинструмент за вашите нужди. *Правилният електроинструмент ще свърши работата по-добре и по-безопасно при скоростта, за която е проектиран.*
- b) **Не използвайте електрически инструмент, ако превключателят не го включва и изключва.** *Всички електроинструменти, които не могат да бъдат управлявани от превключателя си, са опасни и трябва да бъдат ремонтирани.*
- c) **Изключете щепсела от източника на захранване и / или извадете батерийния пакет, ако се разглобява, от електроинструмента, преди да направите каквито и да е настройки, да смените аксесоарите или да съхранявате електроинструментите.** *Подобни предпазни мерки намаляват риска от включване на електроинструмента по невнимание.*
- d) **Съхранявайте електроинструментите далеч от досега на деца и не позволявайте на лица, които не са запознати с електроинструмента или тези инструкции, да работят с електроинструмента.** *Електроинструментите са опасни в ръцете на необучени потребители.*
- e) **Поддържайте електроинструментите и аксесоарите.** Проверете за разцентроване или запъване на движещите се части, счупване на частите и други състояния, които могат да повлияят на работата на електроинструмента. *При повреда, ремонтирайте инструментa преди употреба. Много злополуки са причинени от лошо поддържани електроинструменти.*
- f) **Поддържайте режещите инструменти остри и чисти.** *Правилно поддържаните режещи инструменти с остри режещи ръбове е по-малко вероятно да засичат при работа и са по-лесни за управление.*
- g) **Използвайте електроинструмента, аксесоарите и накрайниците на инструментите и т.н. в съответствие с тези инструкции, като се вземат предвид условията на работа и работата, която трябва да се извърши.** *Употребата на електроинструмента за операции, различни от тези, за които е предназначен, може да доведе до опасни ситуации.*
- h) **Пазете ръкохватките и захващащите повърхности сухи, чисти и без следи от масло и смазка.** *Хлъзгавите ръкохватки и захващащи повърхности не позволяват безопасна работа и контрол на инструментa при неочаквани ситуации.*
- 5) **ИЗПОЛЗВАНЕ И ГРИЖА ЗА БАТЕРИЯТА**
- a) **Зареджайте единствено със зарядно, посочени от производителя.** *Зарядно устройство, което е подходящо за един вид батерия, може да създаде риск от пожар, когато се използва с друг батерия пакет.*
- b) **Използвайте електроинструментите само с батерийния пакет, проектиран за тях.** *Употребата на всякакви други батерийни пакети може да създаде риск от нараняване и огън.*
- c) **Когато батерийният пакет не се използва, го съхранявайте далеч от други метални предмети, като кламери, монети, ключове, гвоздеи, отвертки или други малки метални предмети, които биха могли да направят връзка между двете клемми.** *Свързването на клемите на батерията може да предизвика експлозия или пожар.*
- d) **При неправилна експлоатация е възможно от батерията да изтече течност; избягвайте контакт.** *Ако случайно възникне контакт, изплакнете с вода. Ако течността влезе в досег с очите, потърсете допълнителна медицинска помощ. Течността, изтекла от батерията, може да причини дразнене или изгаряния.*
- e) **Не използвайте батерия пакет или инструмент, който е повреден или модифициран.** *Повредените или модифицирани батерии могат да проявят непредвидимо поведение, което да доведе до пожар, експлозия или риск от нараняване.*
- f) **Не излагайте батерийния пакет или инструментa на огън или прекомерна температура.** *Излагането на огън или температура над 130 °C може да причини експлозия.*
- g) **Следвайте всички инструкции за зареждане и не зареждайте батерийния пакет или инструментa извън температурния диапазон, посочен в инструкциите.** *Неправилното зареждане или при температура извън*

посочения диапазон може да повреди батерията и да увеличи риска от пожар. ключове, гвоздеи, отвертки или други малки метални предмети, които биха могли да направят връзка между двете клемми. **Свързането на клемите на батерията може да предизвика експлозия или пожар.**

6) ОБСЛУЖВАНЕ

а) Вашият електроинструмент трябва да се обслужва от квалифицирано лице, което използва само оригинални резервни части. Това ще гарантира, че се поддържа безопасността на електроинструмента.

б) Никога не обслужвайте повредени батерийни пакети. Обслужването на батерийните пакети трябва да се извършва само от производителя или оторизирани доставчици на услуги.

ПРЕДУПРЕЖДЕНИЯ ЗА БЕЗОПАСНОСТ ПРИ ПРОБОДЕН ТРИОН

- 1. Дръжте прободния трион за изолирани повърхности за захващане, когато извършвате операция, при която режещият аксесоар може да влезе в контакт със скрито окабеляване.** Режещият аксесоар, който се допира до проводник под напрежение, може да направи откритите метални части на електроинструмента „под напрежение“ и да причини токов удар на оператора.
- 2. Използвайте скоби или друг практичен начин за закрепване и поддържане на детайла към стабилна платформа.** Придържането на детайла с ръка или към тялото ви го прави нестабилен и може да доведе до загуба на контрол.

СИМВОЛИ



За да намалите риска от нараняване, потребителят трябва да прочете ръководството с инструкции



Носете предпазни очила



Носете защита за ушите



Носете противопрахова маска



Внимание



Отпадъчните електрически продукти не трябва да се изхвърлят заедно с битовите отпадъци. Моля, рециклирайте там, където има съоръжения. Обърнете се към местните власти или търговец за съвет относно рециклирането.

ИНСТРУКЦИИ ЗА РАБОТА



ЗАБЕЛЕЖКА: Преди да използвате инструмента, прочетете книжката с инструкциите внимателно.

Предназначение:

Машината е предназначена за рязане на дърво, пластмаса, метал и строителни материали при стабилна опора върху детайла. Подходящ е за прави и извити срезове с ъгли на скосяване до 45°. Трябва да се спазват препоръките за острието на триона.

МОНТАЖ

1. ЗА МОНТАЖ ИЛИ ДЕМОНТАЖ НА БАТЕРИЕН ПАКЕТ (НЕ СЕ ПРЕДОСТАВЯ) (ВИЖТЕ ФИГ. А)

Натиснете бутона за освобождаване на батерийния пакет, за да го освободите и издърпате от инструмента си. След зареждане, плъзнете го обратно в инструмента си. Просто натискане и леко налягане ще бъдат достатъчни.

2. СГЛОБЯВАНЕ НА ДИСКОВАТА ПИЛА (ВИЖТЕ ФИГ. В, С)

Завъртете ръкохватката за заключване на диска (обърнете джигсовата пила нагоре) и я задръжте в позиция. След това напълно поставете диска във вентилатора за безинструментална смяна на диска, като зъбите му са насочени напред, и освободете ръкохватката на вентилатора, която ще се затвори над горната част на диска. Уверете се, че вентилаторът за безинструментална смяна на диска е заключен на място. Опитайте да изтеглите диска отново от вентилатора за безинструментална смяна на диска, за да се уверите, че е заключен на място. Уверете се, че ръбът на диска е поставен в жлеба на водача на диска. За да извадите диск, отново завъртете ръкохватката на вентилатора за безинструментална смяна на диска и след това издърпайте диска.



ПРЕДУПРЕЖДЕНИЕ: Зъбите на диска са много остри. За най-добри резултати при рязане се уверете, че използвате диск, подходящ за материала и качеството на рязане, което ви е необходимо.

3. РОЛКОВО НАСОЧВАНЕ (ВИЖТЕ ФИГ. D)

Уверете се, че диска е поставен и се движи плавно в жлеба, в противен случай функцията на маятника няма да работи правилно, а диска няма да бъде поддържан по време на рязане.

4. МОНТИРАНЕТО НА ПАРАЛЕЛНОТО НАСОЧВАНЕ (ВИЖТЕ ФИГ. Е)

Плъзнетe ръката на паралелното насочване през двете паралелни насочващи фиксатори и затегнете заключващата гайка (а), за да постигнете необходимото разстояние за рязане. Паралелното насочване може да се монтира на две позиции, както е показано на Фиг. Е.

5. ПРАХООТВЕДЕНИЕТО ТЮБЕ (ВИЖТЕ ФИГ. F)

Монтирайте прахоотвеждащия тубус в отвора на основната плоча. Уверете се, че пластмасовият връх на вакуумната връзка влиза в съответния отвор на корпуса, както е показано на Фиг. F.

ОПЕРАЦИЯ

1. БУТОН ЗА БЕЗОПАСНОСТ ON/OFF (ВИЖТЕ ФИГ. G)

Блокиращият бутон може да бъде заключен в позиция OFF. Това помага за намаляване на възможността от случайно стартиране, когато не се използва. Натиснете блокиращия бутон вляво или вдясно, след това бутона ON/OFF и освободете блокиращия бутон. Сега превключвателят ви е включен. За изключване, просто освободете бутона ON/OFF.

2. УПРАВЛЕНИЕ НА ДЕЙСТВИЕТО НА МАХАЛОТО (ВИЖТЕ ФИГ. H)

Действието на махалото променя ъгъла на рязане напред на острието за повишена ефективност на рязане. Това може да се регулира и по време на работа без натоварване. Вижте диаграма 1 за повече подробности. Не използвайте прекомерна сила на острието, когато режете с махало. Острието реже само при движение нагоре.

Диаграма 1	
0	Тънки материали. Фини разфасовки. Тесни извивки.
I	Твърди материали (напр. стомана и ПДЧ)
II	Дебели материали (напр. дърво) и пластмаса
III	Бързи рязане (напр. иглолистна дървесина). Рязане по посока на дървесното зърно.

3. ОСНОВНА ПЛОЧА

Настройката на ъгъла на основната плоча позволява наклонно рязане. Основната плоча винаги трябва да се държи здраво върху материалите, които се режат, за да се намали вибрацията на пила, скоковете на диска или счупването на диска.

4. НАСТРОЙКА НА ЪГЪЛА НА ОСНОВНАТА ПЛОЧА (ВИЖТЕ ФИГ. I1-I3)

Вашият ренде е оборудван с плоча SDS. Дръжте гаечния ключ за плочата SDS и го издърпайте навън до 90°. Дръжте плочата SDS и я плъзнете назад малко. Сега плочата е разхлабена и може

да се завърти наляво или надясно до желан ъгъл според маркировката на ъгловата плоча. Преместете плочата напред малко, докато зъбите на ъгловата плоча точно съвпадат с малък издигнат блок. Върнете гаечния ключ за плочата SDS, за да заключите плочата SDS на изисквания ъгъл. Проверете ъгъла и се уверете, че плочата е здраво закрепена.


Маркировките на ъгловата плоча са точни за повечето общи цели, но се препоръчва за точна работа да настроите ъгъла с помощта на ъгломер и да направите тестов разрез на друг материал.

5. ЗАЩИТА ЗА ПРЪСТИТЕ

Защитата за пръстите се намира отпред на държача на острието. Докато работите, тя ще помогне да се предотврати случайно докосване до движещото се острие.

6. РАБОТНА СВЕТЛИНА

Натиснете превключвателя on/off, работната светлина ще се включи. Освободете превключвателя on/off, за да изключите работната светлина.

 **ВНИМАНИЕ: Не гледайте директно в силната светлина или в източника на светлината.**

РАБОТЕЩИ СЪВЕТИ ЗА ВАШИЯ ПОЗИЦИОНЕН ТРИОН

Ако вашият прободен трион се нагрее твърде много, особено когато се използва на ниска скорост, задайте скоростта на максимум и пуснете без натоварване за 2-3 минути, за да охладите двигателя. Избягвайте продължителна употреба при много ниски скорости.

ОБЩ

Винаги използвайте острие, подходящо за материала и дебелината на материала, който ще се реже. Винаги се уверявайте, че детайлът е здраво държан или захванат, за да се предотврати движение. За по-лесен контрол използвайте ниска скорост, за да започнете да режете, след което увеличете до правилната скорост.

РЯЗАНЕ НА ЛАМИНАТИ

Използвайте острие с фини зъби, когато режете повечето ламинати и тънки дървени материали. За да намалите начупването на ръбовете, затегнете парчета отпадъчна дървесина в двата края от двете страни и прорезете отпадъчната дървесина по време на рязане.

РЯЗАНЕ НА КРЪГ

Не използвайте действието на махалото, когато режете тесни кръгове или ъгли.

ПОТАПЯВАНЕ НА РЯЗ (ВИЖТЕ ФИГ. J1, J2)

Рязане с потапяне може да се използва само върху

меки материали като дърво, газобетон, гипсокартон и др.

Използвайте само къси триони.

Поставете предния ръб на основната плоча върху детайла и включете. Натиснете инструмента здраво към детайла и бавно потопете острието на триона в детайла.

Веднага след като цялата повърхност на основната плоча лежи върху детайла, продължете да режете по линията на рязане.

РЯЗАНЕ НА МЕТАЛ

Използвайте острие с по-фини зъби за черни метали и острие с груби зъби за цветни метали. Когато режете тънки метални листове, винаги затягайте дърво от двете страни на листа, за да намалите вибрациите или разкъсването на металния лист. Трябва да се реже и дърво, и ламарина. Не насилвайте режещия диск, когато режете тънък метал или ламарина, тъй като те са по-твърди материали и ще отнеме повече време за рязане. Прекомерната сила на острието може да намали живота на острието или да повреди двигателя. За да намалите топлината по време на рязане на метал, добавете малко смазка по линията на рязане.

ПОДДРЪЖКА

Вашият инструмент не изисква допълнително смазване или поддръжка. Няма части, които могат да бъдат обслужвани от потребителя във вашия електроинструмент. Никога не използвайте вода или химикали за почистване на вашия електроинструмент. Почиствайте със сухо парче плат. Винаги съхранявайте вашия електроинструмент на сухо място. Поддържайте отворите за вентилация на мотора чисти. Пазете всички работни контроли без прах. Понякога може да забележите искри през отворите за вентилация. Това е нормално и няма да повреди вашия електроинструмент.

ЗА ИНСТРУМЕНТИ С БАТЕРИИ

Диапазонът на околната температура за употреба и съхранението на инструмента и батерията е 0 °C-45 °C.

Препоръчителният температурен диапазон на околната среда за зареждащата система по време на зареждане е 0 °C-40 °C.

ОПАЗВАНЕ НА ОКОЛНАТА СРЕДА



Излезлите от употреба електрически продукти не бива да бъдат изхвърляни заедно с битовите отпадъци. Моля, рециклирайте, където съществуват съоръжения. Информация за рециклирането можете да получите от местните власти или от съответния търговец на дребно.

ДЕКЛАРАЦИЯ ЗА СЪОТВЕТСТВИЕ

Ние,
Positec Germany GmbH
Postfach 680194, 50704 Cologne, Germany

Декларираме, че продуктът
Описание: **Прободен трион с батерии**
Типово обозначение: **WS2308.9**
(23 - обозначение на машини, представителни за прободен трион)
Функция **Рязане на различни материали**

Отговаря на следните Директиви:
2006/42/EC, 2014/30/EU,
2011/65/EU&(EU)2015/863

както и на стандартите:
EN 62841-1, EN 62841-2-11, EN IEC 55014-1,
EN IEC 55014-2, EN IEC 63000

Лице, оторизирано да изготвя техническото досие,
Име Марсел Филц
Адрес Positec Germany GmbH
Postfach 680194, 50704 Cologne, Germany



2023/04/03
Алън динг
Заместник-главен инженер, отговарящ за
тестването и сертифицирането positec technology
(china) co., Ltd
18, Dongwang road, suzhou industrial park, jiangsu
215123, p. R. China

WESCO