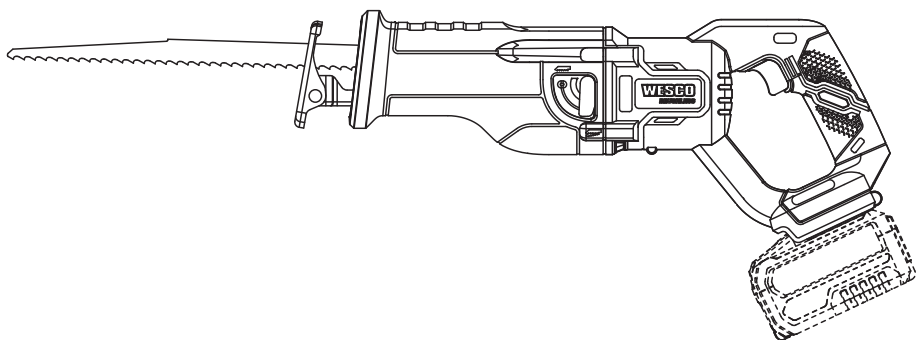


# WESCO



## WS2847.9 (CSR18BW.9)

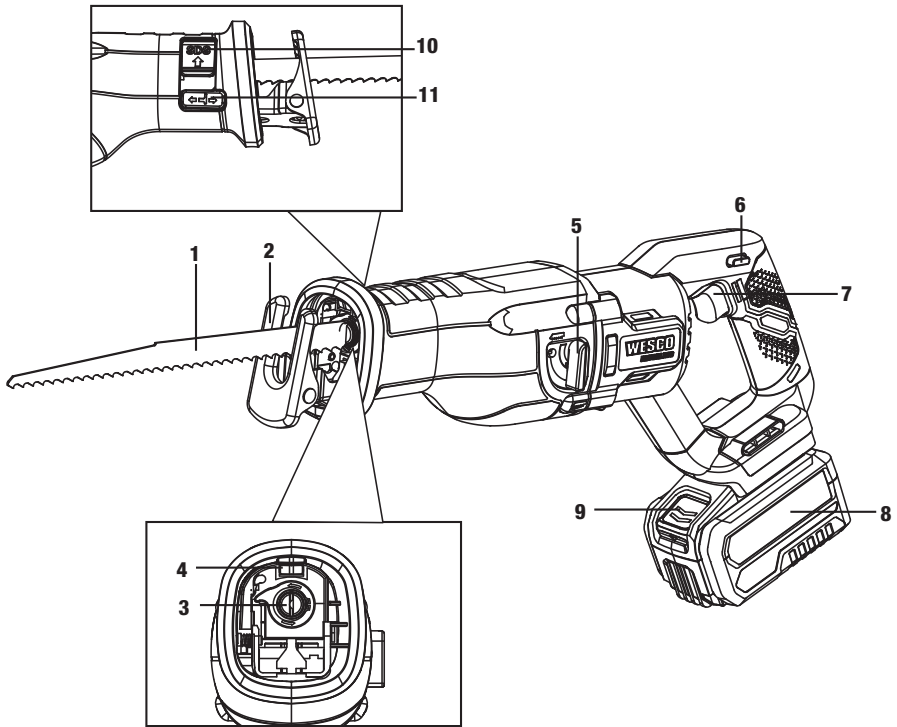
**2** YEAR  
Warranty

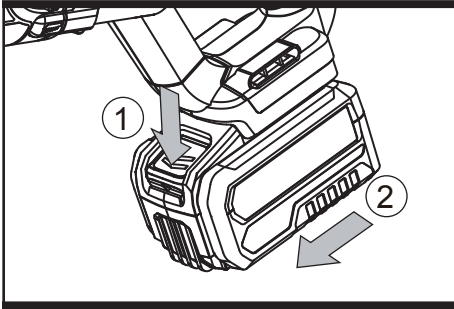
• Cordless reciprocating saw	EN	P06
• Akku-Säbelsäge	DE	P12
• Scie sabre sans fil	FR	P18
• Sega alternativa senza filo	IT	P24
• Sierra sable a batería	ES	P30
• Безжичен възвратно-постъпателен трион	BG	P36

---

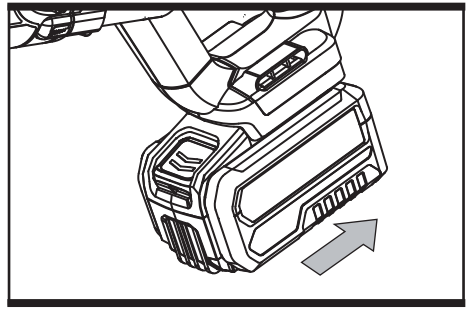
<b>Original instructions</b>	<b>EN</b>
<b>Originalbetriebsanleitung</b>	<b>DE</b>
<b>Notice originale</b>	<b>FR</b>
<b>Istruzioni originali</b>	<b>IT</b>
<b>Manual original</b>	<b>ES</b>
<b>Оригинални инструкции</b>	<b>BG</b>

---

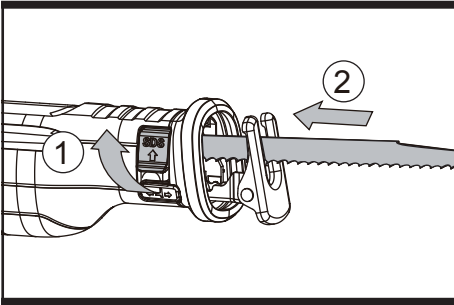




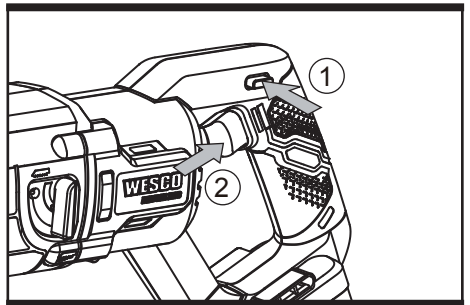
**Fig.A1**



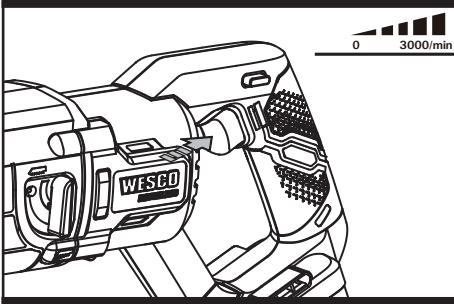
**Fig.A2**



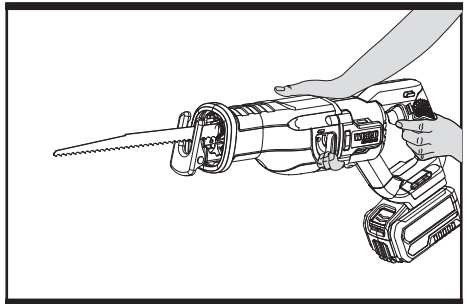
**Fig.B**



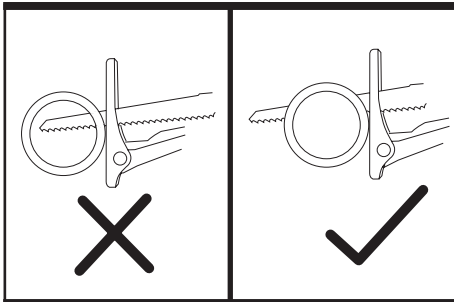
**Fig.C1**



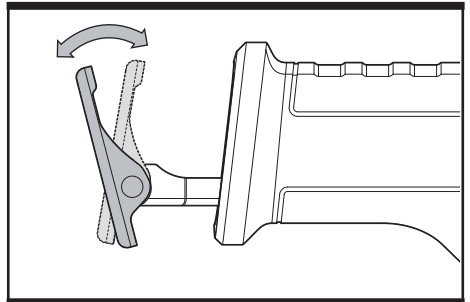
**Fig.C2**



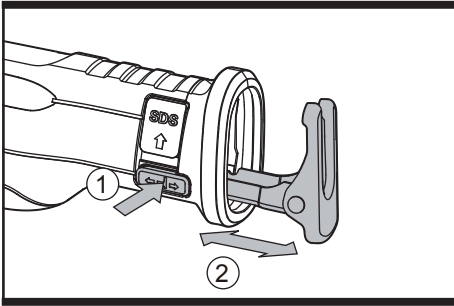
**Fig.D**



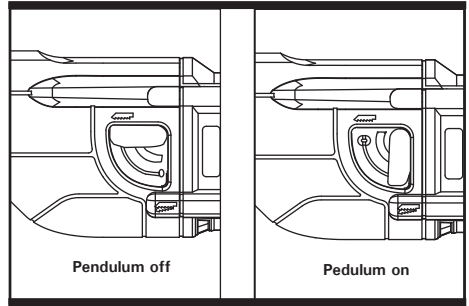
**Fig.E1**



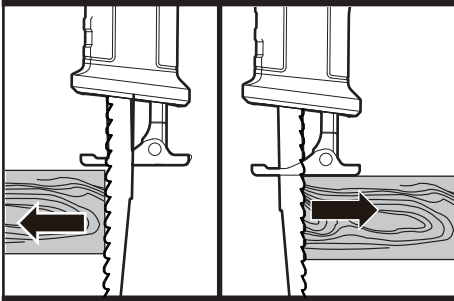
**Fig.E2**



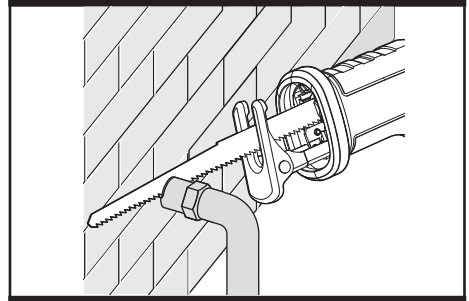
**Fig.E3**



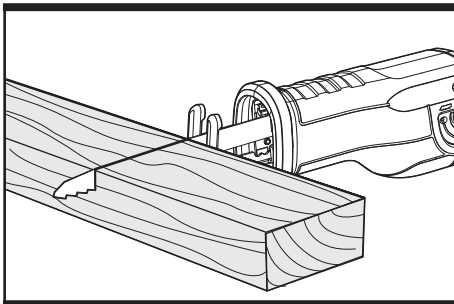
**Fig.F**



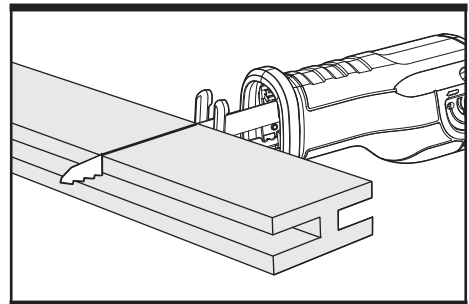
**Fig.G**



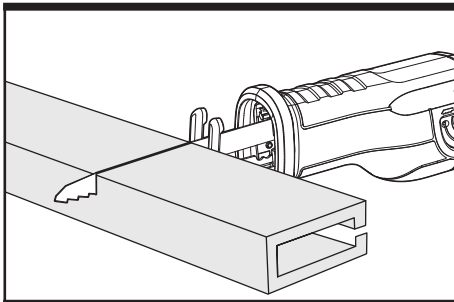
**Fig.H**



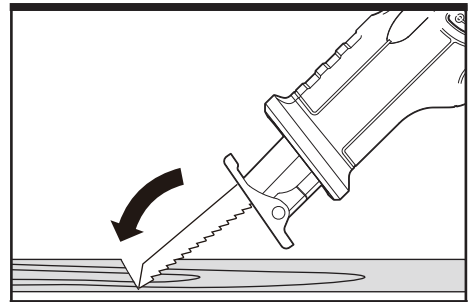
**Fig.I**



**Fig.J**



**Fig.K**



**Fig.L**


# COMPONENT LIST

1. Blade
2. Pivot footplate
3. Tool-less blade clamp slot
4. LED light
5. Pendulum selector knob
6. Lock button
7. On/off trigger switch
8. Battery pack\*
9. Battery pack release button\*
10. Tool-less blade clamp lever
11. Footplate depth adjustment button

\* Not all the accessories illustrated or described are included in standard delivery.

## TECHNICAL DATA

Type WS2847.9 (28 - designation of machinery, representative of cordless reciprocating saw)

Voltage		18V 
No load speed		0-3000/min
Stroke length		29mm
Max cutting capacity	Wood	300mm
	Steel	12mm
Machine weight		2.8 kg

## NOISE INFORMATION

A weighted sound pressure

A weighted sound power

$K_{sp}$  &  $K_{wp}$

**Wear ear protection.**

$L_{pA}$ : 78 dB(A)

$L_{wA}$ : 86 dB(A)

5 dB(A)

# VIBRATION INFORMATION

Vibration total values (triax vector sum) determined according to EN 62841:

Vibration emission value	Cutting boards: $a_{h,B} = 5.48 \text{ m/s}^2$ Cutting wooden beams: $a_{h,WB} = 5.53 \text{ m/s}^2$ Uncertainty $K = 1.5 \text{ m/s}^2$
--------------------------	--

The declared vibration total value and the declared noise emission value have been measured in accordance with a standard test method and may be used for comparing one tool with another.

The declared vibration total value and the declared noise emission value may also be used in a preliminary assessment of exposure.



**WARNING:** The vibration and noise emissions during actual use of the power tool can differ from the declared value depending on the ways in which the tool is used especially what kind of workpiece is processed dependant on the following examples and other variations on how the tool is used:

How the tool is used and the materials being cut or drilled.

The tool being in good condition and well maintained.

The use of the correct accessory for the tool and ensuring it is sharp and in good condition.

The tightness of the grip on the handles and if any anti vibration and noise accessories are used.

And the tool is being used as intended by its design and these instructions.

**This tool may cause hand-arm vibration syndrome if its use is not adequately managed.**



**WARNING:** To be accurate, an estimation of exposure level in the actual conditions of use should also take account of all parts of the operating cycle such as the times when the tool is switched off and when it is running idle but not actually doing the job. This may significantly reduce the exposure level over the total working period.

Helping to minimise your vibration and noise exposure risk.

Always use sharp chisels, drills and blades.

Maintain this tool in accordance with these instructions and keep well lubricated (where appropriate).

If the tool is to be used regularly then invest in anti vibration and noise accessories.

Plan your work schedule to spread any high vibration tool use across a number of days.

## ACCESSORIES

**Metal blade**

**1**

**Wood blade**

**1**

We recommend that you purchase your accessories listed in the above list from the same store that sold you the tool. Refer to the accessory packaging for further details. Store personnel can assist you and offer advice.

# PRODUCT SAFETY

## GENERAL POWER TOOL SAFETY WARNINGS



**WARNING!** Read all safety warnings, instructions, illustrations and specifications provided with this power tool. Failure to follow all instructions listed below may result in electric shock, fire and/or serious injury.

Save all warnings and instructions for future reference.

The term "power tool" in the warnings refers to your mains-operated (corded) power tool or battery-operated (cordless) power tool.

### 1) WORK AREA SAFETY

- a) **Keep work area clean and well lit.** Cluttered or dark areas invite accidents.
- b) **Do not operate power tools in explosive atmospheres, such as in the presence of flammable liquids, gases or dust.** Power tools create sparks which may ignite the dust or fumes.
- c) **Keep children and bystanders away while operating a power tool.** Distractions can cause you to lose control.

### 2) ELECTRICAL SAFETY

- a) **Power tool plugs must match the outlet. Never modify the plug in any way. Do not use any adapter plugs with earthed (grounded) power tools.** Unmodified plugs and matching outlets will reduce risk of electric shock.
- b) **Avoid body contact with earthed or grounded surfaces, such as pipes, radiators, ranges and refrigerators.** There is an increased risk of electric shock if your body is earthed or grounded.
- c) **Do not expose power tools to rain or wet conditions.** Water entering a power tool will increase the risk of electric shock.
- d) **Do not abuse the cord. Never use the cord for carrying, pulling or unplugging the power tool. Keep cord away from heat, oil, sharp edges or moving parts.** Damaged or entangled cords increase the risk of electric shock.
- e) **When operating a power tool outdoors, use an extension cord suitable for outdoor use.** Use of a cord suitable for outdoor use reduces the risk of electric shock.
- f) **If operating a power tool in a damp location is unavoidable, use a residual current device (RCD) protected supply.** Use of an RCD reduces the risk of electric shock.

### 3) PERSONAL SAFETY

- a) **Stay alert, watch what you are doing and use common sense when operating a power tool. Do not use a power tool while you are tired or under the influence of drugs, alcohol or medication.** A moment of inattention while operating power tools may result in serious personal injury.
- b) **Use personal protective equipment. Always wear eye protection.** Protective equipment such as dust mask, non-skid safety shoes, hard hat, or hearing protection used for appropriate conditions will reduce personal injuries.
- c) **Prevent unintentional starting. Ensure the switch is in the off-position before connecting to power source and/or battery pack, picking up or carrying the tool.** Carrying power tools with your finger on the switch or energising power tools that have the switch on invites accidents.
- d) **Remove any adjusting key or wrench before turning the power tool on.** A wrench or a key left attached to a rotating

part of the power tool may result in personal injury.

- e) **Do not overreach. Keep proper footing and balance at all times.** This enables better control of the power tool in unexpected situations.
- f) **Dress properly. Do not wear loose clothing or jewellery. Keep your hair and clothing away from moving parts.** Loose clothes, jewellery or long hair can be caught in moving parts.
- g) **If devices are provided for the connection of dust extraction and collection facilities, ensure these are connected and properly used.** Use of dust collection can reduce dust-related hazards.
- h) **Do not let familiarity gained from frequent use of tools allow you to become complacent and ignore tool safety principles.** A careless action can cause severe injury within a fraction of a second.

### 4) POWER TOOL USE AND CARE

- a) **Do not force the power tool. Use the correct power tool for your application.** The correct power tool will do the job better and safer at the rate for which it was designed.
- b) **Do not use the power tool if the switch does not turn it on and off.** Any power tool that cannot be controlled with the switch is dangerous and must be repaired.
- c) **Disconnect the plug from the power source and/or remove the battery pack, if detachable, from the power tool before making any adjustments, changing accessories, or storing power tools.** Such preventive safety measures reduce the risk of starting the power tool accidentally.
- d) **Store idle power tools out of the reach of children and do not allow persons unfamiliar with the power tool or these instructions to operate the power tool.** Power tools are dangerous in the hands of untrained users.
- e) **Maintain power tools and accessories. Check for misalignment or binding of moving parts, breakage of parts and any other condition that may affect the power tool's operation. If damaged, have the power tool repaired before use.** Many accidents are caused by poorly maintained power tools.
- f) **Keep cutting tools sharp and clean.** Properly maintained cutting tools with sharp cutting edges are less likely to bind and are easier to control.
- g) **Use the power tool, accessories and tool bits etc. in accordance with these instructions, taking into account the working conditions and the work to be performed.** Use of the power tool for operations different from those intended could result in a hazardous situation.
- h) **Keep handles and grasping surfaces dry, clean and free from oil and grease.** Slippery handles and grasping surfaces do not allow for safe handling and control of the tool in unexpected situations.

### 5) BATTERY TOOL USE AND CARE

- a) **Recharge only with the charger specified by the manufacturer.** A charger that is suitable for one type of battery pack may create a risk of fire when used with another battery pack.
- b) **Use power tools only with specifically designated battery packs.** Use of any other battery packs may create a risk of injury and fire.
- c) **When battery pack is not in use, keep it away from other metal objects, like paper clips, coins, keys, nails, screws or other small metal objects, that can make a connection from one terminal to another.** Shorting the battery



terminals together may cause burns or a fire.

- d) **Under abusive conditions, liquid may be ejected from the battery; avoid contact. If contact accidentally occurs, flush with water. If liquid contacts eyes, additionally seek medical help. Liquid ejected from the battery may cause irritation or burns.**
  - e) **Do not use a battery pack or tool that is damaged or modified. Damaged or modified batteries may exhibit unpredictable behaviour resulting in fire, explosion or risk of injury.**
  - f) **Do not expose a battery pack or tool to fire or excessive temperature. Exposure to fire or temperature above 130 °C may cause explosion.**
  - g) **Follow all charging instructions and do not charge the battery pack or tool outside the temperature range specified in the instructions. Charging improperly or at temperatures outside the specified range may damage the battery and increase the risk of fire.**
- 6). SERVICE
- a) **Have your power tool serviced by a qualified repair person using only identical replacement parts. This will ensure that the safety of the power tool is maintained.**
  - b) **Never service damaged battery packs. Service of battery packs should only be performed by the manufacturer or authorized service providers.**

## RECIPROCATING SAW SAFETY WARNINGS

- 1. **Hold reciprocating saw by insulated gripping surfaces, when performing an operation where the cutting accessory may contact hidden wiring. Cutting accessory contacting a "live" wire may make exposed metal parts of the power tool "live" and could give the operator an electric shock.**
- 2. **Use clamps or another practical way to secure and support the workpiece to a stable platform. Holding the work by hand or against your body leaves it unstable and may lead to loss of control.**

## SYMBOLS



To reduce the risk of injury, user must read instruction manual



Wear eye protection



Wear ear protection



Wear dust mask



Warning



Waste electrical products must not be disposed of with household waste. Please recycle where facilities exist. Check with your local authorities or retailer for recycling advice.

## OPERATING INSTRUCTIONS



**NOTE:** Before using the tool, read the instruction book carefully.

### INTENDED USE

The machine is intended for sawing wood, plastic, metal and building materials while resting firmly on the workpiece. It is suitable for straight and curved cuts.

### BEFORE OPERATION

#### 1. REMOVING OR INSTALLING BATTERY PACK (NOT SUPPLIED) (SEE FIG. A1, A2)

To remove the battery pack, slide it into tool's battery port. A simple push and slight pressure will be sufficient.

To install the battery pack, press the battery pack release button and remove the battery pack from the tool.

#### 2. TOOL-LESS BLADE FITTING (SEE FIG. B)

Open the tool-free blade clamp lever and hold it in position. Then fully insert the blade into the blade clamp slot with blade teeth facing forward and release the blade clamp lever, which will clamp over the top of the blade. Try to pull the blade out of the blade clamp slot again to ensure it is locked in position.

To remove a blade, open the tool-free blade clamp lever and hold it in position. Remove the blade and release the tool-free blade clamp lever.



**WARNING:** Blade teeth are very sharp. Always wear protective gloves. For best cutting results ensure you use a saw blade suited to the material and cut quality you need.

### OPERATION

#### 1. SAFETY ON/OFF SWITCH (SEE FIG. C1)

To lock the on/off switch, place the lock button in the center position. This helps to reduce the possibility of accidental starting when not in use.

Depress the lock button to left or right then on/off switch and release the lock button. Your switch is now on. To switch off, just release the on/off switch.

**NOTE:** LED light will illuminate the working zone automatically when the product is switched on.



**WARNING:** Do not look directly into LED light!

#### 2. VARIABLE SPEED CONTROL (SEE FIG. C2)

The on/off switch is also a variable speed controlled trigger switch. The blade plunger stroke rate can be adjusted from the minimum to maximum by the pressure you apply to the on/off switch.

Apply more pressure to increase the speed and release pressure to decrease speed.

#### 3. HAND GRIP AREAS (SEE FIG. D)

Always hold your saw firmly with both hands when operating.

#### 4. FOOTPLATE ADJUSTMENT

Adjust the position of footplate according to the blade length and workpiece thickness; always ensure that the blade extends beyond the workpiece throughout the stroke. (See Fig. E1)

##### - Footplate angle adjustment (See Fig. E2)

The pivot footplate tilts in order to keep as much of its surface in contact with the work surface. To adjust, hold the saw firmly and turn the pivot footplate to a desired position.

##### - Footplate depth adjustment (See Fig. E3)

If you need to reduce the cutting capacity of your tool (depth of cut), the pivot footplate may be adjusted as follows. Press the footplate depth adjustment button on the underside of the front housing. Slide the pivoting footplate to the required position. Release the footplate depth adjustment button and check that the footplate is firmly latched.

#### 5. PENDULUM SELECTOR KNOB (SEE FIG. F)

Adjust the pendulum speed according to the workpiece material and thickness.

OFF position: Fine cuts in thin workpieces; cutting surface quality is more preferred than speed; cutting metal.

ON position: Fast cuts in soft materials (e.g. softwood); cutting in the direction of the wood grain.

#### 6. PLUNGE CUTTING (SEE FIG. G)



**WARNING:** The plunge cutting procedure is only suitable for treating soft materials such as wood, plaster board or similar! Do not work soft metal materials with the plunge cutting procedure!

Use only short saw blades for plunge cutting.

Place the saw with the edge of the blade foot onto the workpiece and switch on. For power tools with stroke speed control, set the maximum stroke speed. Press the saw firmly against the workpiece and allow the saw blade to slowly plunge into the workpiece.

As soon as the blade foot fully lays on the surface of the workpiece, continue sawing alongside the desired cutting line. For certain work, the saw blade can also be inserted turned through by 180° and the sabre saw can be guided accordingly in a reversed manner.

#### 7. FLUSH CUTTING (SEE FIG. H)



**WARNING:** Pay attention that the saw blade always extends beyond the diameter of the material being worked. There is danger of kickback.

It is possible to make cuts extremely close to floors, walls and other difficult areas. Insert the blade shank into the blade clamp with the blade teeth facing up (opposite to normal working position). This will make cuts closer to the work surface. Using special flexible blades insert the blade into the blade clamp with the blade teeth facing down (normal working position). It will allow flush pipe cutting.

#### 8. WOOD CUTTING (SEE FIG. I)

Always ensure the work-piece is firmly clamped to prevent movement. For easier control use low speed to start cutting, then increase to correct speed.

#### 9. METAL CUTTING (SEE FIG. J)

This saw has different metal cutting capacities depending upon the type of blade being used and metal being cut.

**ALWAYS** clamp the work down to prevent it from slipping.

Use a finer blade for ferrous metals and a coarse blade for non-

ferrous metals.

When cutting thin gauge sheet metals, **ALWAYS** clamp wood on both sides of the sheet. This will give you a clean cut without excess vibration or tearing of the metal.

**DO NOT** force the cutting blade. Forcing the blade will reduce blade life and cause the blade to break.

**NOTE:** We recommend that you spread a thin film of oil or other coolant along the line of cut ahead of the saw. This will allow easier operation and help extend blade life. When cutting aluminum, use kerosene.

#### 10. PLASTIC / ALUMINUM CUTTING (SEE FIG. K)

Always ensure the plastic / aluminum is firmly clamped to prevent movement. For easier control use low speed to start cutting, then increase to correct speed.

#### 11. POCKET CUTTING (Soft materials only. Do not plunge cut in metal surfaces.) (SEE FIG. L)

Mark the pocket or internal hole to be cut out. Insert the special cutting blade with blade teeth facing down and clamp securely. Angle the saw so that the back edge of the blade guard is resting on the work surface. Use a slow speed to start the cut to avoid breaking the blade but increase to correct speed once the cut has started. With the blade guard held firmly against the work surface, start a slow but controlled upward swing of the saw. The blade will cut into and through the material. Always ensure the blade is completely through the material before cutting the remainder of the pocket.

## WORKING HINTS FOR YOUR RECIPROCATING SAW

If your power tool becomes too hot, set the speed to maximum and run no load for 2-3 minutes to cool the motor.

Always ensure the work-piece is firmly held or clamped to prevent movement.

The pivoting foot must be held firmly against the material being cut to reduce saw vibration, blade jumping and blade breakage.

## MAINTAINANCE

**Remove the battery pack from the tool before carrying out any adjustment, servicing or maintenance.**

There are no user serviceable parts in your power tool. Never use water or chemical cleaners to clean your power tool. Wipe clean with a dry cloth. Always store your power tool in a dry place. Keep the motor ventilation slots clean. Keep all working controls free of dust. Occasionally you may see sparks through the ventilation slots. This is normal and will not damage your power tool.

#### For Battery tools

The ambient temperature range for the use and storage of tool and battery is 0°C-45°C.

The recommended ambient temperature range for the charging system during charging is 0°C-40°C.

## ENVIRONMENTAL PROTECTION



Waste electrical products must not be disposed of with household waste. Please recycle where facilities exist. Check with your local authorities or retailer for recycling advice.

# DECLARATION OF CONFORMITY

We,  
Positec Germany GmbH  
Postfach 680194, 50704 Cologne, Germany

On behalf of Positec declare that the product  
Description: **Battery operated reciprocating Saw**  
Type: **WS2847.9 (28-designation of machinery, representative of battery operated reciprocating Saw)**  
Function: **Sawing various materials**

Complies with the following Directives,  
**2006/42/EC, 2014/30/EU, 2011/65/EU & (EU)2015/863**

Standards conform to,  
**EN 62841-1, EN 62841-2-11, EN IEC 55014-1, EN IEC 55014-2, EN IEC 63000**

The person authorized to compile the technical file,  
**Name Marcel Filz**  
**Address Positec Germany GmbH**  
**Postfach 680194, 50704 Cologne, Germany**



2024/1/19  
Allen Ding  
Deputy Chief Engineer, Testing & Certification  
Positec Technology (China) Co., Ltd  
18, Dongwang Road, Suzhou Industrial  
Park, Jiangsu 215123, P. R. China

# DECLARATION OF CONFORMITY(UK)

We,  
Positec Power Tools (Europe) Ltd,  
PO Box 6242, Newbury, RG14 9LT, UK

On behalf of Positec declare that the product  
Description: **Battery operated reciprocating Saw**  
Type: **WS2847.9 (28-designation of machinery, representative of battery operated reciprocating Saw)**  
Function: **Sawing various materials**

Complies with the following regulations:  
**Supply of Machinery (Safety) Regulations 2008**  
**Electromagnetic Compatibility Regulations 2016**  
**The Restriction of the Use of Certain Hazardous Substances in Electrical and Electronic Equipment Regulations**

Standards conform to,  
**BS EN 62841-1, BS EN 62841-2-11, BS EN IEC 55014-1, BS EN IEC 55014-2, BS EN IEC 63000**

The person authorized to compile the technical file,  
**Name Jim Kirkwood**  
**Address Positec Power Tools (Europe) Ltd,**  
**PO Box 6242, Newbury, RG14 9LT, UK**



2024/1/19  
Allen Ding  
Deputy Chief Engineer, Testing & Certification  
Positec Technology (China) Co., Ltd  
18, Dongwang Road, Suzhou Industrial  
Park, Jiangsu 215123, P. R. China


# KOMPONENTEN

1. Klinge
2. Pivot-Fußplatte
3. Werkzeugloses Sägeblattklemmschlitz
4. LED-Licht
5. Pendelauswahlknopf
6. Verriegelungstaste
7. Ein-/Aus-Abzugsschalter
8. Batteriepack\*
9. Batteriepack-Freigabetaste\*
10. Werkzeugloser Sägeblattklemmhebel
11. Fußplattentiefeinstellungstaste

\* Abgebildetes oder beschriebenes Zubehör gehört teilweise nicht zum Lieferumfang.

# TECHNISCHE DATEN

Typ WS2847.9 (28 -Bezeichnung der Maschine, stellvertretend für batteriebetriebene Repräsentant Säbelsäge)

Spannung		18V 
Leerlaufdrehzahl		0-3000/min
Strichlänge		29mm
Schneidleistung	Holz	300mm
	Stahl	12mm
Maschinengewicht		2.8 kg

# INFORMATIONEN ÜBER LÄRM

Gewichteter Schalldruck  
Gewichtete Schallleistung  
 $K_{pA}$  &  $K_{WA}$

**Tragen Sie einen Gehörschutz.**

$L_{pA}$  : 78 dB(A)  
 $L_{WA}$  : 86 dB(A)  
5 dB(A)

# INFORMATIONEN ÜBER VIBRATIONEN

Vibrations Gesamt Messwertermittlung gemäß EN 62841:

Vibrationsemissionswert	Brett schneiden: $a_{h,b} = 5.48 \text{ m/s}^2$ Holzbalken schneiden: $a_{h,wb} = 5.53 \text{ m/s}^2$ Unsicherheit $K = 1.5 \text{ m/s}^2$
-------------------------	--

Der angegebene Vibrationsgesamtwert kann und der angegebene Vibrationsemissionswert wurden gemäß Standardprüfverfahren gemessen und können zum Vergleichen eines Werkzeug mit einem anderen verwendet werden.

Der angegebene Vibrationsgesamtwert und der angegebene Vibrationsemissionswert können auch für eine anfängliche Beurteilung der Beeinträchtigung verwendet werden.



**WARNUNG:** Die Vibrations- und Lärmemissionen bei der eigentlichen Nutzung des Elektrowerkzeugs können vom angegebenen Wert abweichen, je nachdem, wie das Werkzeug verwendet wird und insbesondere abhängig davon, welcher Werkstücktyp verarbeitet wird, und abhängig von folgenden Beispielen und verschiedenen Einsatzmöglichkeiten des Werkzeugs:

Wie das Werkzeug verwendet wird und Materialien geschnitten oder angebohrt werden.

Das Werkzeug ist in gutem Zustand und gut gepflegt.

Verwendung des richtigen Zubehörs für das Werkzeug und Gewährleistung seiner Schärfe und seines guten Zustands.

Die Festigkeit des Griffs auf den Handgriffen und, falls Antivibrations- und Lärmschutzzubehör verwendet wird.

Und ob das verwendete Werkzeug dem Design und diesen Anweisungen entsprechend verwendet wird.

**Wird dieses Werkzeug nicht angemessen gehandhabt, kann es ein Hand-Arm-Vibrationssyndrom erzeugen.**



**WARNUNG:** Um genau zu sein, sollte ein Abschätzung des Belastungsgrades aller Arbeitsabschnitte während tatsächlicher

Verwendung berücksichtigt werden, z.B. die Zeiten, wenn das Werkzeug ausgeschaltet ist, und wenn es sich im Leerlauf befindet und eigentlich nicht eingesetzt wird. Auf diese Weise kann der Belastungsgrad während der gesamten Arbeitszeit wesentlich gemindert werden.

Hilft dabei, das Risiko der Vibrations- und Lärmbelastung zu minimieren.

Verwenden Sie **IMMER** scharfe Meissel, Bohrer und Sägeblätter.

Pflegen Sie dieses Werkzeug diesen Anweisungen entsprechend und achten Sie auf eine gute Einfettung (wo erforderlich).

Falls das Werkzeug regelmäßig verwendet werden soll, investieren Sie in Antivibrations- und Lärmschutzzubehör.

Machen Sie einen Arbeitsplan, um die Verwendung von hochvibrierenden Werkzeugen auf mehrere Tage zu verteilen.

## ZUBEHÖRTEILE

**Metallklinge**

**1**

**Holzlinge**

**1**

Wir empfehlen Ihnen, sämtliche Zubehörteile beim selben Fachhändler zu beziehen, bei dem Sie auch Ihr Elektrowerkzeug gekauft haben.

Weitere Informationen finden Sie auf der Verpackung der Zubehörteile. Auch Ihr Fachhändler berät Sie gerne.

# PRODUKTSICHERHEIT

## ALLGEMEINE SICHERHEITSHINWEISE FÜR ELEKTROWERKZEUGE



**WARNUNG!** Machen Sie sich mit allen Sicherheitswarnungen, Anweisungen, Abbildungen und Spezifikationen vertraut, die mit diesem Elektrowerkzeug geliefert werden. Die Nichtbeachtung der unten aufgeführten Anweisungen kann in elektrischen Schlägen, Feuer und/oder schweren Verletzungen resultieren.

Bewahren Sie alle Sicherheitshinweise und Anweisungen für die Zukunft auf.

Der in den Sicherheitshinweisen verwendete Begriff „Elektrowerkzeug“ bezieht sich auf akkubetriebene Elektrowerkzeuge (ohne Netz Kabel).

### 1. ARBEITSPLATZSICHERHEIT

- a) Halten Sie Ihren Arbeitsbereich sauber und gut beleuchtet. Unordnung oder unbeleuchtete Arbeitsbereiche können zu Unfällen führen.
- b) Arbeiten Sie mit dem Elektrowerkzeug nicht in explosionsgefährdeter Umgebung, in der sich brennbare Flüssigkeiten, Gase oder Stäube befinden. Elektrowerkzeuge erzeugen Funken, die den Staub oder die Dämpfe entzünden können.
- c) Halten Sie Kinder und andere Personen während der Benutzung des Elektrowerkzeugs fern. Bei Ablenkung können Sie die Kontrolle über das Gerät verlieren.

### 2. ELEKTRISCHE SICHERHEIT

- a) Der Anschlussstecker des Elektrowerkzeuges muss in die Steckdose passen. Der Stecker darf in keiner Weise verändert werden. Verwenden Sie keine Adapterstecker gemeinsam mit schutzgeerdeten Elektrowerkzeugen. Unveränderte Stecker und passende Steckdosen verringern das Risiko eines elektrischen Schlages.
- b) Vermeiden Sie Körperkontakt mit geerdeten Oberflächen wie von Rohren, Heizungen, Herden und Kühlschränken. Es besteht ein erhöhtes Risiko durch elektrischen Schlag, wenn Ihr Körper geerdet ist.
- c) Halten Sie Elektrowerkzeuge von Regen oder Nässe fern. Das Eindringen von Wasser in ein Elektrowerkzeug erhöht das Risiko eines elektrischen Schlages.
- d) Zweckentfremden Sie das Kabel nicht, um das Elektrowerkzeug zu tragen, aufzuhängen oder um den Stecker aus der Steckdose zu ziehen. Halten Sie das Kabel fern von Hitze, Öl, scharfen Kanten oder sich bewegenden Geräteteilen. Beschädigte oder verwickelte Kabel erhöhen das Risiko eines elektrischen Schlages.
- e) Wenn Sie mit einem Elektrowerkzeug im Freien arbeiten, verwenden Sie nur Verlängerungskabel, die auch für den Außenbereich geeignet sind. Die Anwendung eines für den Außenbereich geeigneten Verlängerungskabels verringert das Risiko eines elektrischen Schlages.
- f) Wenn der Betrieb des Elektrowerkzeuges in feuchter Umgebung nicht vermeidbar ist, verwenden Sie einen Fehlerstromschutzschalter. Der Einsatz eines Fehlerstromschutzschalters vermindert das Risiko eines elektrischen Schlages.

### 3. SICHERHEIT VON PERSONEN

- a) Seien Sie aufmerksam, Achten Sie darauf, was Sie tun,

und gehen Sie mit Vernunft an die Arbeit mit einem Elektrowerkzeug. Benutzen Sie kein Elektrowerkzeug, wenn Sie müde sind oder unter dem Einfluss von Drogen, Alkohol oder Medikamenten stehen. Ein Moment der Unachtsamkeit beim Gebrauch des Elektrowerkzeuges kann zu ernsthaften Verletzungen führen.

- b) Tragen Sie persönliche Schutzausrüstung und immer eine Schutzbrille. Das Tragen persönlicher Schutzausrüstung, wie Staubmaske, rutschfeste Sicherheitsschuhe, Schutzhelm oder Gehörschutz, je nach Art und Einsatz des Elektrowerkzeuges, verringert das Risiko von Verletzungen.
  - c) Vermeiden Sie eine unbeabsichtigte Inbetriebnahme. Vergewissern Sie sich, dass das Elektrowerkzeug ausgeschaltet ist, bevor Sie es an den Akku anschließen, es aufnehmen oder tragen. Wenn Sie beim Tragen des Elektrowerkzeuges den Finger am Schalter haben oder das Gerät eingeschaltet an die Stromversorgung anschließen, kann dies zu Unfällen führen.
  - d) Entfernen Sie Einstellwerkzeuge oder Schraubenschlüssel, bevor Sie das Elektrowerkzeug einschalten. Ein Werkzeug oder Schlüssel, der sich in einem drehenden Geräteteil befindet, kann zu Verletzungen führen.
  - e) Vermeiden Sie eine abnormale Körperhaltung. Sorgen Sie für einen sicheren Stand und halten Sie jederzeit das Gleichgewicht. Dadurch können Sie das Elektrowerkzeug in unerwarteten Situationen besser kontrollieren.
  - f) Tragen Sie geeignete Kleidung. Tragen Sie keine weite Kleidung oder Schmuck. Halten Sie Haare und Kleidung fern von sich bewegenden Teilen. Lockere Kleidung, Schmuck oder lange Haare können von sich bewegenden Teilen erfasst werden.
  - g) Wenn Staubabsaug- und -auffangeinrichtungen montiert werden können, vergewissern Sie sich, dass diese angeschlossen sind und richtig verwendet werden. Verwendung einer Staubabsaugung kann Gefährdungen durch Staub verringern.
  - h) Vermeiden Sie, durch die häufige Nutzung des Werkzeugs in einen Trott zu verfallen und Prinzipien für die Werkzeugsicherheit zu ignorieren. Eine unachtsame Aktion kann im Bruchteil einer Sekunde zu schweren Verletzungen führen.
- ### 4. VERWENDUNG UND BEHANDLUNG DES ELEKTROWERKZEUGES
- a) Überlasten Sie das Gerät nicht. Verwenden Sie für Ihre Arbeit das dafür bestimmte Elektrowerkzeug. Mit dem passenden Elektrowerkzeug arbeiten Sie besser und sicherer im angegebenen Leistungsbereich.
  - b) Benutzen Sie kein Elektrowerkzeug, dessen Schalter defekt ist. Ein Elektrowerkzeug, das sich nicht mehr ein- oder ausschalten lässt, ist gefährlich und muss repariert werden.
  - c) Klemmen Sie den Stecker von der Stromversorgung ab und/oder entfernen Sie den Akku (falls abnehmbar) aus dem Elektrowerkzeug, bevor Sie Geräteeinstellungen vornehmen, Zubehörteile wechseln oder das Gerät weglegen. Diese Vorsichtsmaßnahme verhindert den unbeabsichtigten Start des Elektrowerkzeuges.
  - d) Bewahren Sie unbenutzte Elektrowerkzeuge außerhalb der Reichweite von Kindern auf. Lassen Sie Personen das Gerät nicht benutzen, die mit diesem nicht vertraut sind oder diese Anweisungen nicht gelesen haben. Elektrowerkzeuge sind gefährlich, wenn Sie von unerfahrenen Personen benutzt werden.
  - e) Warten Sie die Elektrowerkzeuge und Zubehör. Kontrollieren Sie, ob bewegliche Teile einwandfrei

funktionieren und nicht klemmen, ob Teile gebrochen oder so beschädigt sind, dass die Funktion des Elektrowerkzeuges beeinträchtigt ist. Lassen Sie beschädigte Teile vor dem Einsatz des Gerätes reparieren. Viele Unfälle haben ihre Ursache in schlecht gewarteten Elektrowerkzeugen.

- f) Halten Sie Schneidwerkzeuge scharf und sauber. Sorgfältig gepflegte Schneidwerkzeuge mit scharfen Schneidkanten verklemmen sich weniger und sind leichter zu führen.
- g) Verwenden Sie Elektrowerkzeug, Zubehör, Einsatzwerkzeuge usw. entsprechend diesen Anweisungen. Berücksichtigen Sie dabei die Arbeitsbedingungen und die auszuführende Tätigkeit. Der Gebrauch von Elektrowerkzeugen für andere als die vorgesehenen Anwendungen kann zu gefährlichen Situationen führen.
- h) Halten Sie die Griffe trocken, sauber und frei von Öl und Fett. Rutschige Griffe und Oberflächen unterbinden die sichere Bedienbarkeit und Kontrolle über das Werkzeug in unerwarteten Situationen.
5. Verwendung und Behandlung des Akkuwerkzeugs
- a) Laden Sie die Akkus nur in Ladegeräten auf, die vom Hersteller empfohlen werden. Für ein Ladegerät, das für eine bestimmte Art von Akkus geeignet ist, besteht Brandgefahr, wenn es mit anderen Akkus verwendet wird.
- b) Verwenden Sie nur die dafür vorgesehenen Akkus in den Elektrowerkzeugen. Der Gebrauch von anderen Akkus kann zu Verletzungen und Brandgefahr führen.
- c) Halten Sie den nicht benutzten Akku fern von Büroklammern, Münzen, Schlüsseln, Nägeln, Schrauben oder anderen kleinen Metallgegenständen, die eine Überbrückung der Kontakte verursachen könnten. Ein Kurzschluss zwischen den Akkukontakten kann Verbrennungen oder Feuer zur Folge haben.
- d) Bei falscher Anwendung kann Flüssigkeit aus dem Akku austreten. Vermeiden Sie den Kontakt damit. Bei zufälligem Kontakt mit Wasser abspülen. Wenn die Flüssigkeit in die Augen kommt, nehmen Sie zusätzlich ärztliche Hilfe in Anspruch. Austretende Akkuflüssigkeit kann zu Hautreizungen oder Verbrennungen führen.
- e) Verwenden Sie kein Akkupack oder Werkzeug, das beschädigt ist. Beschädigte oder modifizierte Akkus können unvorhersehbare Reaktionen auslösen und zu Bränden, Explosionen oder Verletzungen führen.
- f) Setzen Sie das Akkupack oder Werkzeug keinem Feuer oder übermäßig hohen Temperaturen aus. Die Belastung durch Feuer oder Temperaturen über 130 °C kann zur Explosion führen.
- g) Befolgen Sie alle Ladeanweisungen, und laden Sie das Akkupack oder Werkzeug nicht außerhalb des in den Anweisungen festgelegten Temperaturbereichs auf. Ein unsachgemäßer Ladevorgang oder Temperaturen außerhalb des festgelegten Bereichs können den Akku schädigen und die Brandgefahr erhöhen.
6. SERVICE
- a) Lassen Sie Ihr Elektrowerkzeug nur von qualifiziertem Fachpersonal und nur mit Original-Ersatzteilen reparieren. Damit wird sichergestellt, dass die Sicherheit des Gerätes erhalten bleibt.
- b) Führen Sie niemals Wartungsarbeiten an beschädigten Akkus durch. Die Wartung von Akkupacks darf nur vom Hersteller selbst oder autorisierten Dienstleistern durchgeführt werden.

## SICHERHEITSHINWEISE FÜR SÄBELSÄGE

- Halten Sie das Werkzeug an den isolierten Griffen, wenn die Gefahr besteht, dass Sie beim Arbeiten in Wänden, Decken usw. verborgene Leitungen oder das Netzkabel berühren könnten. Metallteile am Werkzeug, die mit stromführenden Drähten in Berührung kommen, werden selbst stromführend und können der Bedienperson einen elektrischen Schlag versetzen.
- Sichern Sie das Werkstück zum Beispiel mit Einspannvorrichtungen auf einer stabilen Plattform. Das Werkstück ist instabil, wenn es mit der Hand oder dem Körper abgestützt wird, was zum Verlust der Kontrolle führen kann.

## SYMBOLS



Um das Verletzungsrisiko zu verringern, muss der Benutzer die Bedienungsanleitung lesen



Augenschutz tragen



Gehörschutz tragen



Staubmaske tragen



Warnung



Elektroaltgeräte dürfen nicht mit dem Hausmüll entsorgt werden. Bitte recyceln Sie, wo Einrichtungen vorhanden sind. Wenden Sie sich an Ihre örtlichen Behörden oder Ihren Händler, um Ratschläge zum Recycling zu erhalten.

## HINWEISE ZUM BETRIEB



**HINWEIS:** Lesen Sie das Handbuch vor Inbetriebnahme des Werkzeuges sorgfältig durch.

### INTENDED USE

Das Elektrowerkzeug ist bestimmt, bei fester Auflage Trennschnitte und Ausschnitte in Holz, Kunststoff, Metall, Keramikplatten und Gummi auszuführen. Es ist geeignet für gerade und kurvige Schnitte mit einem Gehrungswinkel bis 45°. Die Sägeblattempfehlungen sind zu beachten.

### VOR BETRIEB

#### 1. ANBRINGEN UND ENTFERNEN DES AKKUS (NICHT MITGELIEFERT) (SIEHE ABB. A1, A2)

Um den Akkupack zu entfernen, schieben Sie ihn in den Batterieanschluss des Werkzeugs. Ein einfaches Schieben und leichter Druck werden ausreichen. Um den Akkupack zu installieren, drücken Sie die Akkupack-Entriegelungstaste und entfernen Sie den Akkupack aus dem Werkzeug.

## 2. EINBAU DER SÄGEKlinge (SIEHE ABB. B)

Öffnen Sie den werkzeuglosen Klinglehebel und sichern Sie ihn. Führen Sie dann die Klinge mit den Klingenzähnen nach vorne vollständig in die Klinglebefeignung ein und lassen Sie den Klinglebefeignungshebel los, der die Klinge oberseits festklemmt. Versuchen Sie erneut, die Klinge aus dem Schlitz des Klinglebefeignungshebel herauszuziehen, um sicherzustellen, dass sie einrastet. Um die Klinge zu entfernen, öffnen Sie den werkzeuglosen Klinglebefeignungshebel und befestigen Sie ihn. Entfernen Sie die Klinge und lösen Sie den werkzeuglosen Klinglebefeignungshebel.



**WARNUNG: Die Klingenzähne sind sehr scharf. Um die besten Schnittergebnisse zu erzielen, verwenden Sie bitte eine Klinge, die für das Material und die Schnittqualität geeignet ist, die Sie benötigen.**

## BETRIEB

### 1. EIN/AUS-SICHERHEITSSCHALTER (SIEHE ABB. C1)

Der Arretierungsknopf kann in der AUS-Position verriegelt werden. Dadurch wird die Möglichkeit einer versehentlichen Aktivierung bei Nichtgebrauch verringert. Drücken Sie die Sperrtaste nach links oder rechts, drücken Sie dann den Ein- / Ausschalter und lassen Sie die Sperrtaste los. Ihr Schalter ist jetzt eingeschaltet. Lassen Sie den Ein-/Ausschalter los, um die Maschine auszuschalten.

**HINWEIS:** Die LED-Leuchte beleuchtet den Arbeitsbereich automatisch, wenn das Produkt eingeschaltet ist.



**WARNUNG: Schauen Sie nicht direkt in das LED-Licht!**

### 2. VARIABLE GESCHWINDIGKEITSREGELUNG (SIEHE ABB. C2)

Der Ein / Aus-Schalter ist auch ein Auslöseschalter für die variable Geschwindigkeitsregelung. Die Hubrate des Messerkolbens kann durch den auf den Ein / Aus-Schalter ausgeübten Druck vom Minimum zum Maximum eingestellt werden.

Üben Sie mehr Druck aus, um die Geschwindigkeit zu erhöhen, und lassen Sie den Druck ab, um die Geschwindigkeit zu verringern.

### 3. HANDGRIFFBEREICHE (SIEHE ABB. D)

Halten Sie die Säge während des Betriebs immer mit beiden Händen fest.

### 4. EINSTELLUNG DER FUSSPLATTE

Stellen Sie die Position des Fußpedals entsprechend der Länge der Klinge und der Dicke des Werkstücks ein und achten Sie immer darauf, dass die Klinge während des gesamten Hubs das Werkstück überschreitet. (Siehe Abb. E)

### Pedalwinkelseinstellung (siehe Abb. E2)

Das Drehfußpedal ist so geneigt, dass seine Oberfläche so weit wie möglich mit der Arbeitsfläche in Kontakt steht. Um Einstellungen vorzunehmen, halten Sie die Säge fest und drehen Sie das Fußpedal in die gewünschte Position.

### Einstellung der Pedaltiefe (siehe Abb. E3)

Wenn Sie die Schnittkapazität (Schnitttiefe) des Werkzeugs verringern müssen, können Sie das Schwenkpedal wie folgt einstellen. Drücken Sie die Taste zur Einstellung der Pedaltiefe unten am vorderen Gehäuse. Schieben Sie das schwenkbare Fußpedal in die gewünschte Position. Lassen Sie die Taste zur Einstellung der Pedaltiefe los und prüfen Sie, ob das Pedal fest eingerastet.

### 5. PENDELWAHLKNOPF (SIEHE ABB. F)

Passen Sie die Schwenkgeschwindigkeit an das Material und die

Dicke des Werkstücks an.

Aus Position: Fein geschnittenes dünnes Werkstück, Qualität der Schneidoberfläche ist besser als Geschwindigkeit, Schneiden von Metall.

Offene Position: Schneiden Sie weiche Materialien (wie Kork) schnell und entlang der Kornrichtung.

## 6. EINTAUCHSCHNITT (SIEHE ABB. G)



**WARNUNG: Das Eintauchschneidverfahren ist nur für die Bearbeitung von weichen Materialien wie Holz, Gipskarton oder ähnlichem geeignet! Arbeiten Sie nicht mit dem Eintauchschneidverfahren an weichen Metallmaterialien!**

Verwenden Sie nur kurze Sägeblätter für den Eintauchschnitt. Platzieren Sie die Säge mit der Kante der Blattfußplatte auf dem Werkstück und schalten Sie sie ein. Bei Elektrowerkzeugen mit Hubzahlregelung stellen Sie die maximale Hubzahl ein. Drücken Sie die Säge fest gegen das Werkstück und lassen Sie das Sägeblatt langsam ins Werkstück eintauchen.

Sobald die Blattfußplatte vollständig auf der Oberfläche des Werkstücks aufliegt, setzen Sie das Sägen entlang der gewünschten Schnittlinie fort. Für bestimmte Arbeiten kann das Sägeblatt auch um 180° gedreht eingeführt und die Stichsäge entsprechend in umgekehrter Weise geführt werden.

## 7. SPÜLSCHNEIDEN (SIEHE ABB. H)



**WARNUNG: Achten Sie darauf, dass das Sägeblatt immer über den Durchmesser des bearbeiteten Materials hinausragt. Es besteht Gefahr von Rückschlägen.**

Der Schnitt kann sehr nahe am Boden, an der Wand und an anderen schwierigen Stellen liegen. Führen Sie den Klingengriff nach oben (entgegen der normalen Betriebsposition) in den Klingenhalter ein. Dadurch wird der Schnitt näher an die Arbeitsfläche gebracht. Verwenden Sie eine spezielle flexible Klinge, um die Klinge mit den Klingenzähnen nach unten in den Klingenhalter einzuführen (normale Arbeitsposition). Dies ermöglicht das Schneiden von Spülrohren.

## 8. HOLZSCHNEIDEN (SIEHE ABB. I)

Stellen Sie immer sicher, dass das Werkstück fest eingespannt ist, um eine Bewegung zu verhindern. Beginnen Sie zur einfacheren Kontrolle mit dem Schneiden mit niedriger Geschwindigkeit und erhöhen Sie dann die richtige Geschwindigkeit.

## 9. METALLSCHNEIDEN (SIEHE ABB. J)

Diese Säge hat je nach Art des verwendeten Sägeblatts und des zu schneidenden Metalls unterschiedliche Zerspannungskapazitäten. **IMMER** die Arbeit festklemmen, um ein Verrutschen zu verhindern. Verwenden Sie eine feinere Klinge für Eisenmetalle und eine grobe Klinge für Nichteisenmetalle.

Wenn Sie dünne Bleche schneiden, klemmen Sie **IMMER** Holz auf beiden Seiten des Blechs. Dadurch erhalten Sie einen sauberen Schnitt, ohne dass das Metall übermäßig vibriert oder reißt. Überlasten Sie das Gerät **NICHT**. Wenn Sie die Klinge fest drücken, verkürzt sich die Lebensdauer der Klinge und die Klinge bricht. **HINWEIS:** Wir empfehlen, vor der Säge einen Film aus Öl oder einem anderen Kühlmittel auf der Schneidlinie zu verteilen. Dies erleichtert die Bedienung und verlängert die Lebensdauer der Klinge. Verwenden Sie beim Schneiden von Aluminium Kerosin.

## 10. KUNSTSTOFF- / ALUMINIUMSCHNITT (SIEHE ABB. K)

Stellen Sie immer sicher, dass der Kunststoff / Aluminium fest eingespannt ist, um Bewegungen zu verhindern. Beginnen Sie mit



niedriger Geschwindigkeit, um den Schnitt zu starten, und erhöhen Sie dann auf die richtige Geschwindigkeit für eine bessere Kontrolle.

### 11. TASCHENSCHNEIDEN (nur weiche Materialien. Nicht in die Metalloberfläche schneiden.) (SIEHE ABB. L)

Markieren Sie die zu schneidende Stelle in der Tasche oder im inneren Loch. Setzen Sie ein spezielles Sägeblatt mit den Zähnen nach unten ein und klemmen Sie es fest. Stellen Sie den Winkel der Säge so ein, dass die Hinterkante des Sägeblattschutzes auf der Arbeitsfläche aufliegt. Beginnen Sie mit einer langsamen Geschwindigkeit, um ein Brechen der Klinge zu vermeiden. Wenn Sie jedoch mit dem Schneiden beginnen, erhöhen Sie die Geschwindigkeit, um die richtige Geschwindigkeit zu erreichen. Wenn der Sägeblattschutz fest an der Arbeitsfläche befestigt ist, beginnt die langsame, aber kontrollierte Säge nach oben zu schwingen. Die Klinge schneidet in und durch das Material. Stellen Sie vor dem Schneiden des Restes der Tasche immer sicher, dass die Klinge vollständig durch das Material läuft.

## ARBEITSHINWEISE FÜR IHRE SÄBELSÄGE

Wenn Ihr Elektrowerkzeug zu heiß wird, stellen Sie die Geschwindigkeit auf Maximum und lassen Sie es 2-3 Minuten ohne Last laufen, um den Motor abzukühlen.

Stellen Sie immer sicher, dass das Werkstück festgehalten oder eingespannt ist, um Bewegungen zu verhindern.

Die schwenkbare Fußplatte muss fest gegen das zu schneidende Material gedrückt werden, um Sägevibrationen, Springen des Sägeblatts und Sägeblattbruch zu reduzieren.

## WARTUNG

### Entfernen Sie das Akkupack, bevor Sie Einstellungen, Service- oder Wartungsarbeiten daran durchführen.

Ihr Werkzeug benötigt keine zusätzliche Schmierung oder Wartung. Es enthält keine Teile, die Sie warten müssen. Reinigen Sie Ihr Werkzeug niemals mit Wasser oder chemischen Lösungsmitteln. Wischen Sie es mit einem trockenen Tuch sauber. Lagern Sie Ihr Werkzeug immer an einem trockenen Platz. Sorgen Sie dafür, dass bei staubigen Arbeiten die Lüftungsöffnungen frei sind. Halten Sie alle Bedienelemente staubfrei. Gelegentlich sind durch die Lüftungsschlitze hindurch Funken zu sehen. Dies ist normal und wird Ihr Werkzeug nicht beschädigen.

### Bei Akkuwerkzeugen

Der Umgebungstemperaturbereich für die Nutzung und Lagerung von Werkzeug und Akku liegt zwischen 0 °C und 45 °C. Der empfohlene Umgebungstemperaturbereich für die Ladestation liegt zwischen 0 °C und 40 °C.

## UMWELTSCHUTZ



Elektroprodukte dürfen nicht mit dem normalen Haushaltsmüll entsorgt werden, sondern sollten nach Möglichkeit zu einer Recyclingstelle gebracht werden.

Ihre zuständigen Behörden oder Ihr Fachhändler geben Ihnen hierzu gerne Auskunft.

## KONFORMITÄTSERKLÄRUNG

Wir,  
Positec Germany GmbH  
Postfach 680194, 50704 Cologne, Germany

Erklären hiermit, dass unser Produkt  
Beschreibung: **Akku-Säbelsäge**  
Typ: **WS2847.9 (28-Bezeichnung der Maschine, stellvertretend für batteriebetriebene Akku-Säbelsäge)**  
Funktion: **Sägen/schneiden verschiedener Materialien**

Den Bestimmungen der folgenden Richtlinien entspricht:  
**2006/42/EC, 2014/30/EU, 2011/65/EU & (EU)2015/863**

Normen:  
**EN 62841-1, EN 62841-2-11, EN IEC 55014-1, EN IEC 55014-2, EN IEC 63000**

Zur Kompilierung der technischen Datei ermächtigte Person

Name **Marcel Filz**  
Anschrift **Positec Germany GmbH**  
Postfach 680194, 50704 Cologne, Germany



2024/11/19

Allen Ding

Stellvertretender Cheffingenieur, Prüfung und Zertifizierung  
Positec Technology (China) Co., Ltd  
18, Dongwang Road, Suzhou Industrial  
Park, Jiangsu 215123, P. R. China


# LISTE DES COMPOSANTS

1. Lame
2. Plaque de pied pivotante
3. Fente de serrage de lame sans outil
4. Lumière LED
5. Bouton de sélection de pendule
6. Bouton de verrouillage
7. Interrupteur marche/arrêt
8. Bloc-batterie\*
9. Bouton de libération du bloc-batterie\*
10. Levier de serrage de lame sans outil
11. Bouton de réglage de profondeur de plaque de pied

\* Les accessoires reproduits ou décrits ne sont pas tous compris avec le modèle standard livré.

## CARACTÉRISTIQUES TECHNIQUES

Modèle WS2847.9 (28 - désignation des machines, représentative de la Scie sabre)

Tension		18V 
Vitesse sans chargement		0-3000/min
Longueur de course		29mm
Capacité de coupe	Bois	300mm
	Acier	12mm
Poids de la machine		2.8 kg

## INFORMATIONS RELATIVES AU BRUIT

Niveau de pression acoustique pondéré A  
Niveau de puissance acoustique pondéré A  
 $K_{pA}$  &  $K_{WA}$

$L_{pA}$  : 78 dB(A)  
 $L_{WA}$  : 86 dB(A)  
5 dB(A)

Porter une protection pour les oreilles.

# INFORMATIONS RELATIVE AUX VIBRATIONS

Valeurs totales de vibration (somme du vecteur triaxial) déterminées selon la norme EN 62841:

Valeur d'émission de vibrations	Découpe d'un panneau: $a_{h,b} = 5.48 \text{ m/s}^2$ Découpe d'une poutre en bois: $a_{h,wb} = 5.53 \text{ m/s}^2$ Incertitude $K = 1.5 \text{ m/s}^2$
---------------------------------	--

La valeur totale de vibration déclarée et la valeur d'émission de bruit déclarée ont été mesurées conformément à la méthode d'essai standard et peuvent être utilisées pour comparer un outil à un autre.

La valeur totale de vibration déclarée et la valeur d'émission de bruit déclarée peuvent également être utilisées lors d'une évaluation préliminaire de l'exposition.



**AVERTISSEMENT:** les vibrations et les émissions de bruit au cours de l'utilisation réelle de l'outil électrique peuvent varier de la valeur déclarée en fonction du mode d'utilisation de l'outil, en particulier du type de pièce traité selon les exemples suivants et d'autres variations concernant le mode d'utilisation de l'outil:

Comment l'outil est utilisé et quels matériaux sont coupés ou percés.

L'outil est en bon état et bien entretenu.

L'utilisation du bon accessoire pour l'outil et l'assurance qu'il est affûté et en bon état.

La force avec laquelle vous serrez les poignées et l'utilisation éventuelle d'un quelconque accessoire anti-bruit et anti-vibration.

Et l'outil est utilisé comme prévu dans sa conception et dans les présentes instructions.

**Cet outil peut causer un syndrome de vibration du bras et de la main s'il n'est pas correctement géré.**



**AVERTISSEMENT:** Pour être précise, une évaluation du niveau d'exposition en conditions réelles d'utilisation doit également tenir compte de toutes les parties du cycle d'utilisation telles que les moments où l'outil est éteint, et ceux où il fonctionne au ralenti mais ne réalise pas réellement de tâche. Ceci peut réduire de façon significative le niveau d'exposition et la période de fonctionnement totale.

Facteurs contribuant à minimiser votre risque d'exposition aux vibrations et au bruit.

Utilisez TOUJOURS des ciseaux, des forets et des lames affûtés.

Entretenez cet outil en accord avec les présentes instructions et maintenez-le lubrifié (si approprié).

Si l'outil doit être fréquemment utilisé, investissez dans des accessoires anti-bruit et anti-vibration.

Planifiez votre travail pour étaler toute utilisation d'outil à fortes vibrations sur plusieurs jours.

## ACCESSOIRES

Lame métallique

1

Lame en bois

1

Nous recommandons d'acheter tous les accessoires dans le magasin d'acquisition de l'outil. Pour plus d'informations, se référer à l'emballage des accessoires. Le personnel du magasin est également là pour vous conseiller.

# SÉCURITÉ DU PRODUIT

## AVERTISSEMENTS DE SÉCURITÉ GÉNÉRAUX POUR L'OUTIL



**AVERTISSEMENT!** Lire l'ensemble des mises en garde, instructions, illustrations et spécifications fourni avec cet outil électrique. *Ne pas suivre toutes les instructions énumérées ci-dessous peut conduire à une électrocution, un incendie et / ou des blessures graves.*

Conserver tous les avertissements et toutes les instructions pour pouvoir s'y reporter ultérieurement.

Le terme «outil» dans les avertissements fait référence à votre outil électrique alimenté par le secteur (avec cordon d'alimentation) ou votre outil fonctionnant sur batterie (sans cordon d'alimentation).

### 1. SÉCURITÉ DE LA ZONE DE TRAVAIL

- a) **Conserv**er la zone de travail propre et bien éclairée. *Les zones en désordre ou sombres sont propices aux accidents.*
- b) **Ne pas faire fonctionner les outils électriques en atmosphère explosive**, par exemple en présence de liquides inflammables, de gaz ou de poussières. *Les outils électriques produisent des étincelles qui peuvent enflammer les poussières ou les fumées.*
- c) **Maintenir les enfants et les personnes présentes à l'écart pendant l'utilisation de l'outil.** *Les distractions peuvent vous faire perdre le contrôle de l'outil.*

### 2. SÉCURITÉ ÉLECTRIQUE

- a) **Il faut que les fiches de l'outil électrique soient adaptées au socle. Ne jamais modifier la fiche de quelque façon que ce soit. Ne pas utiliser d'adaptateurs avec des outils à branchement de terre.** *Des fiches non modifiées et des socles adaptés réduiront le risque de choc électrique.*
- b) **Éviter tout contact du corps avec des surfaces reliées à la terre telles que les tuyaux, les radiateurs, les cuisinières et les réfrigérateurs.** *Il existe un risque accru de choc électrique si votre corps est relié à la terre.*
- c) **Ne pas exposer les outils à la pluie ou à des conditions humides.** *La pénétration d'eau à l'intérieur d'un outil augmentera le risque de choc électrique.*
- d) **Ne pas maltraiter le cordon. Ne jamais utiliser le cordon pour porter, tirer ou débrancher l'outil. Maintenir le cordon à l'écart de la chaleur, du lubrifiant, des arêtes ou des parties en mouvement.** *Des cordons endommagés ou emmêlés augmentent le risque de choc électrique.*
- e) **Lorsqu'on utilise un outil à l'extérieur, utiliser un prolongateur adapté à l'utilisation extérieure.** *L'utilisation d'un cordon adapté à l'utilisation extérieure réduit le risque de choc électrique.*
- f) **Si l'usage d'un outil dans un emplacement humide est inévitable, utiliser une alimentation protégée par un dispositif à courant différentiel résiduel (DDR).** *L'usage d'un DDR réduit le risque de choc électrique.*

### 3. SÉCURITÉ DES PERSONNES

- a) **Restez vigilant, regardez ce que vous êtes en train de faire et faites preuve de bon sens dans votre utilisation de l'outil. Ne pas utiliser un outil lorsque vous êtes fatigué ou sous l'emprise de drogues, d'alcool ou de médicaments.** *Un moment d'inattention en cours d'utilisation d'un outil peut entraîner des blessures graves des personnes.*
- b) **Utiliser un équipement de sécurité. Toujours porter une**

**protection pour les yeux.** *Les équipements de sécurité tels que les masques contre les poussières, les chaussures de sécurité antidérapantes, les casques ou les protections acoustiques utilisés pour les conditions appropriées réduiront les blessures de personnes.*

- c) **Éviter tout démarrage intempestif. S'assurer que l'interrupteur est en position arrêt avant de brancher l'outil au secteur et/ou au bloc de batteries, de le ramasser ou de le porter.** *Porter les outils en ayant le doigt sur l'interrupteur ou brancher des outils dont l'interrupteur est en position marche est source d'accidents.*
- d) **Retirer toute clé de réglage avant de mettre l'outil en marche.** *Une clé laissée fixée sur une partie tournante de l'outil peut donner lieu à des blessures de personnes.*
- e) **Ne pas se précipiter. Garder une position et un équilibre adaptés à tout moment.** *Cela permet un meilleur contrôle de l'outil dans des situations inattendues.*
- f) **S'habiller de manière adaptée. Ne pas porter de vêtements amples ou de bijoux. Garder les cheveux et les vêtements à distance des parties en mouvement.** *Des vêtements amples, des bijoux ou les cheveux longs peuvent être pris dans des parties en mouvement.*
- g) **Si des dispositifs sont fournis pour le raccordement d'équipements pour l'extraction et la récupération des poussières, s'assurer qu'ils sont connectés et correctement utilisés.** *Utiliser des collecteurs de poussière peut réduire les risques dus aux poussières.*
- h) **Ne pas laisser les habitudes acquises au cours d'une utilisation fréquente des outils nous rendre complaisants et ignorer les principes de sécurité de l'outil.** *Une action imprudente peut entraîner des blessures graves en une fraction de seconde.*

### 4. UTILISATION ET ENTRETIEN DE L'OUTIL

- a) **Ne pas forcer l'outil. Utiliser l'outil adapté à votre application.** *L'outil adapté réalisera mieux le travail et de manière plus sûre au régime pour lequel il a été construit.*
- b) **Ne pas utiliser l'outil si l'interrupteur ne permet pas de passer de l'état de marche à arrêt et vice versa. Tout outil qui ne peut pas être commandé par l'interrupteur est dangereux et il faut le réparer.**
- c) **Débrancher la prise de la source d'alimentation et / ou retirer la batterie, si elle est amovible, de l'outil, avant tout réglage, changement d'accessoires ou avant de ranger l'outil.** *De telles mesures de sécurité préventives réduisent le risque de démarrage accidentel de l'outil.*
- d) **Conserver les outils à l'arrêt hors de la portée des enfants et ne pas permettre à des personnes ne connaissant pas l'outil ou les présentes instructions de le faire fonctionner.** *Les outils sont dangereux entre les mains d'utilisateurs novices.*
- e) **Entretenir les outils et accessoires électriques. Vérifier qu'il n'y a pas de mauvais alignement ou de blocage des parties mobiles, des pièces cassées ou toute autre condition pouvant affecter le fonctionnement de l'outil. En cas de dommages, faire réparer l'outil avant de l'utiliser.** *De nombreux accidents sont dus à des outils mal entretenus.*
- f) **Garder affûtés et propres les outils permettant de couper.** *Des outils destinés à couper correctement entretenus avec des pièces coupantes tranchantes sont moins susceptibles de bloquer et sont plus faciles à contrôler.*
- g) **Utiliser l'outil, les accessoires et les lames etc., conformément à ces instructions, en tenant compte des conditions de travail et du travail à réaliser.** *L'utilisation de l'outil pour des opérations différentes de celles prévues*

pourrait donner lieu à des situations dangereuses.

- h) **Maintenir les poignées et les surfaces de préhension sèches, propres et exemptes d'huile et de graisse.** Des poignées et surfaces de préhension glissantes ne permettent pas une manipulation et un contrôle de l'outil en toute sécurité en cas d'imprévu.

5. **UTILISATION DES OUTILS FONCTIONNANT SUR BATTERIES ET PRÉCAUTIONS D'EMPLOI**

- a) **Ne recharger qu'avec le chargeur spécifié par le fabricant.** Un chargeur qui est adapté à un type de bloc de batteries peut entraîner un risque d'incendie lorsqu'il est utilisé avec un autre type de bloc de batteries.
- b) **N'utiliser les outils qu'avec des blocs de batteries spécifiquement désignés.** L'utilisation de tout autre bloc de batteries peut entraîner un risque de blessure et d'incendie.
- c) **Lorsqu'un bloc de batteries n'est pas utilisé, le maintenir à l'écart de tout autre objet métallique, par exemple trombones, pièces de monnaie, clés, clous, vis ou autres objets de petite taille qui peuvent donner lieu à une connexion d'une borne à une autre.** Le court-circuitage des bornes d'une batterie entre elles peut causer des brûlures ou un incendie.
- d) **Dans de mauvaises conditions, du liquide peut être éjecté de la batterie; éviter tout contact. En cas de contact accidentel, nettoyer à l'eau. Si le liquide entre en contact avec les yeux, rechercher en plus une aide médicale.** Le liquide éjecté des batteries peut causer des irritations ou des brûlures.
- e) **N'utilisez pas de batterie ou d'outil endommagé ou modifié.** Des batteries endommagées ou modifiées peuvent se comporter de façon imprévisible et causer un incendie, une explosion ou un risque de blessure.
- f) **N'exposez pas une batterie ou un outil à un incendie ou à une température excessive.** L'exposition à un incendie ou une température supérieure à 130 °C peut causer une explosion.
- g) **Suivez toutes les instructions de charge et ne rechargez pas la batterie ou l'outil en dehors de la plage de température spécifiée dans les instructions.** Recharger la batterie de façon inappropriée ou en dehors de la plage de température spécifiée peut l'endommager et augmente le risque d'incendie.

6. **MAINTENANCE ET ENTRETIEN**

- a) **Faire entretenir l'outil par un réparateur qualifié utilisant uniquement des pièces de rechange identiques.** Cela assurera le maintien de la sécurité de l'outil.
- b) **Ne réviser jamais de batteries endommagées.** La révision de batteries doit uniquement être effectuée par le fabricant ou les prestataires de service autorisés.

## AVERTISSEMENTS DE SÉCURITÉ POUR SCIE SABRE

1. **Tenir l'outil par les zones de prises isolées lors d'une utilisation où l'outil tranchant pourrait entrer en contact avec des fils cachés ou avec son propre cordon.** Si les parties externes en métal entrent en contact avec un fil électrique « sous tension », elles pourraient elles aussi devenir « sous tension » et l'utilisateur pourrait recevoir une décharge électrique.
2. **Utiliser des pinces ou tout autre moyen pratique pour fixer et soutenir la pièce sur une plateforme stable.** Tenir

la pièce à la main ou contre le corps la rend instable et peut conduire à une perte de contrôle.

## SYMBOLES



Pour réduire le risque de blessure, l'utilisateur doit lire le mode d'emploi.



Porter des lunettes de protection



Porter une protection auditive



Porter un masque anti-poussière



Avertissement



Les déchets de produits électriques ne doivent pas être jetés avec les ordures ménagères. Veuillez recycler là où les installations existent. Vérifiez auprès de vos autorités locales ou de votre revendeur pour obtenir des conseils de recyclage.

## INSTRUCTIONS D'UTILISATION



**REMARQUE:** Avant d'utiliser cet outil, lire attentivement le mode d'emploi.

### UTILISATION PRÉVUE

La machine est conçue pour scier du bois, du plastique, du métal et des matériaux de construction tout en reposant fermement sur la pièce. Il convient aux coupes droites et courbes.

### AVANT L'OPÉRATION

#### 1. ENLEVER OU INSTALLER LA BATTERIE (NON FOURNI) (VOIR FIG. A1, A2)

Pour placer la batterie, insérez-la dans le port batterie de l'outil. Une simple poussée et une légère pression seront suffisantes. Pour retirer la batterie, appuyez sur le bouton de libération du pack batterie et retirez la batterie de l'outil.

#### 2. MONTAGE DE LA LAME DE SCIE (VOIR FIG. B)

Ouvrez le levier de serrage de la lame sans outil et maintenez-le en position. Insérez ensuite complètement la lame dans la fente de serrage de la lame de façon à ce que les dents de la lame orientent vers l'avant et relâchez le levier de serrage de la lame, qui se bloquera sur le dessus de la lame. Essayez de retirer la lame de la fente de serrage de la lame pour vous assurer qu'elle est verrouillée en position.

Pour retirer une lame, ouvrez le levier de serrage de la lame sans outil et maintenez-le en position. Retirez la lame et relâchez le levier de serrage de la lame sans outil.

 **AVERTISSEMENT:** Les dents de la lame sont très coupantes. Pour de meilleurs résultats de coupe, assurez-vous d'utiliser une lame adaptée au matériau et à la qualité de coupe dont vous avez besoin.

## OPÉRATION

### 1. INTERRUPTEUR MARCHÉ / ARRÊT SÉCURISÉ (VOIR FIG. C1)

Le bouton de verrouillage peut être verrouillé en position OFF. Cela aide à réduire la possibilité de démarrage accidentel lorsqu'il n'est pas utilisé. Appuyez sur le bouton de verrouillage vers la gauche ou la droite, puis sur l'interrupteur marche / arrêt et relâchez le bouton de verrouillage. Votre interrupteur est maintenant activé. Pour éteindre, relâchez simplement l'interrupteur marche / arrêt.

**REMARQUE:** La lumière LED s'allumera automatiquement dans la zone de travail lorsque le produit est allumé.

 **AVERTISSEMENT :** Ne regardez pas directement dans la lumière LED !

### 2. COMMANDE DE VITESSE VARIABLE (VOIR FIG. C2)

L'interrupteur marche / arrêt est également un interrupteur à gâchette à vitesse variable. Le taux de course du piston de la lame peut être réglé du minimum au maximum par la pression que vous appliquez à l'interrupteur marche / arrêt. Appliquez plus de pression pour augmenter la vitesse et relâchez pour diminuer la vitesse.

### 3. ZONES DE PRÉHENSION (VOIR FIG. D)

Tenez toujours votre scie fermement avec les deux mains lorsque vous l'utilisez.

### 4. RÉGLAGE DE LA PLAQUE DE PIED

Ajustez la position de la palette en fonction de la longueur de la lame et de l'épaisseur de la pièce ; assurez-vous toujours que la lame dépasse de la pièce pendant toute la course (voir Fig. E1).

#### Réglage de l'angle de la plaque de pied (voir Fig. E2)

La plaque de pied pivotante s'incline afin de garder autant de sa surface en contact avec la surface de travail. Pour régler, maintenez fermement la scie et faites pivoter la plaque de pied à la position souhaitée.

#### Réglage de la profondeur de la plaque de pied (voir Fig. E3)

Si vous devez réduire la capacité de coupe de votre outil (profondeur de coupe), la plaque de pied pivotante peut être réglée comme suit. Appuyez sur le bouton de réglage de la profondeur de la plaque de pied sous le boîtier avant. Faites glisser la plaque de pied pivotante dans la position requise. Relâchez le bouton de réglage de la profondeur de la plaque de pied et vérifiez que la palette est bien verrouillée.


### 5. BOUTON DE SÉLECTION DU PENDULE (VOIR FIG. F)

Réglez la vitesse du pendule en fonction du matériau et de l'épaisseur de la pièce.

Position OFF : Coupes fines dans des pièces fines ; la qualité de la surface de coupe est plus préférée que la vitesse ; couper du métal.

Position ON : Coupes rapides pour les matériaux tendres (par exemple le bois tendre) ; coupe dans le sens du grain du bois.

### 6. COUPE PLONGEANTE (VOIR FIG. G)


 **AVERTISSEMENT :** La procédure de coupe plongeante convient uniquement au traitement de matériaux souples tels que le bois, le placoplâtre ou similaires ! Ne travaillez pas les matériaux métalliques souples avec la

### procédure de coupe plongeante !

Utilisez uniquement des lames de scie courtes pour la coupe plongeante.

Placez la scie avec le bord de la semelle de la lame sur la pièce à travailler et mettez sous tension. Pour les outils électriques avec contrôle de la vitesse de course, réglez la vitesse de course maximale. Appuyez fermement la scie contre la pièce à travailler et laissez la lame de scie plonger lentement dans la pièce à travailler. Dès que la semelle de la lame repose entièrement sur la surface de la pièce à travailler, continuez à scier le long de la ligne de coupe souhaitée. Pour certains travaux, la lame de scie peut également être insérée en la tournant de 180° et la scie alternative peut être guidée en conséquence de manière inversée.

### 7. COUPE AU RINÇAGE (VOIR FIG. H)

 **AVERTISSEMENT :** Assurez-vous que la lame de scie dépasse toujours le diamètre du matériau en cours de travail. Il y a un danger de rebondissement.

Il est possible d'effectuer des coupes extrêmement près des sols, des murs et d'autres zones difficiles. Insérez la tige de la lame dans le serre-lame avec les dents de la lame vers le haut (opposée à la position de travail normale). Cela permettra de couper plus près de la surface de travail. À l'aide de lames flexibles spéciales, insérez la lame dans le serre-lame avec les dents de la lame orientées vers le bas (position de travail normale). Il permettra une coupe à ras du tuyau.

### 8. COUPE DE BOIS (VOIR FIG. I)

Assurez-vous toujours que la pièce à travailler est fermement fixée pour empêcher tout mouvement. Pour un contrôle plus facile, utilisez la vitesse lente pour commencer la coupe, puis augmentez-la pour atteindre la vitesse correcte.

### 9. COUPE DE MÉTAL (VOIR FIG. J)

Cette scie a différentes capacités de coupe de métal selon le type de lame utilisé et le métal coupé.

**TOUJOURS** serrer la pièce pour l'empêcher de glisser.

Utilisez une lame plus fine pour les métaux ferreux et une lame grossière pour les métaux non ferreux.

Lors de la coupe de tôles de faible épaisseur, **TOUJOURS** fixer le bois des deux côtés de la tôle. Cela vous donnera une coupe nette sans vibration excessive ni déchirure du métal.

**NE FORCEZ PAS** la lame de coupe. Cela réduira sa durée de vie et la cassera.

**REMARQUE :** Nous vous recommandons d'étaler une fine pellicule d'huile ou autre liquide de refroidissement le long de la ligne de coupe devant la scie. Cela permettra un fonctionnement plus facile et prolongera la durée de vie de la lame. Lorsque vous coupez de l'aluminium, utilisez du kérosène.

### 10. COUPE DE PLASTIQUE / ALUMINIUM (VOIR FIG. K)

Assurez-vous toujours que le plastique / aluminium est fermement serré pour éviter tout mouvement. Pour un meilleur contrôle, utilisez une vitesse basse pour commencer la coupe, puis augmentez jusqu'à la vitesse correcte.

### 11. COUPE DE POCHE (matériaux souples uniquement. Ne pas plonger dans les surfaces métalliques) (VOIR FIG. L)

Marquez la poche ou le trou interne à découper. Insérez la lame de coupe spéciale avec les dents de lame orientées vers le bas et fixez-la fermement. Inclinez la scie de sorte que le bord arrière du protège-lame repose sur la surface de travail. Utilisez une vitesse lente pour démarrer la coupe pour éviter de casser la lame, mais

augmentez-la une fois que la coupe a commencé. Avec le protège-lame fermement maintenu contre la surface de travail, commencez à monter la scie lentement de façon contrôlée. La lame coupera dans et à travers le matériau. Assurez-vous toujours que la lame est complètement à travers le matériau avant de couper le reste de la poche.

## CONSEILS DE TRAVAIL POUR VOTRE SCIE ALTERNATIVE

Si votre outil électrique devient trop chaud, réglez la vitesse au maximum et faites fonctionner sans charge pendant 2 à 3 minutes pour refroidir le moteur.

Assurez-vous toujours que la pièce à travailler est fermement maintenue ou serrée pour éviter tout mouvement.

La semelle pivotante doit être maintenue fermement contre le matériau coupé pour réduire les vibrations de la scie, le saut de lame et la casse de lame.

## ENTRETIEN

**Retirer la batterie avant de procéder à un réglage, une réparation ou un entretien.**

L'outil motorisé ne requiert pas de graissage ou d'entretien particulier. Il n'y a pas de pièces réparables par l'utilisateur dans cet outil. Ne jamais utiliser d'eau ou de nettoyants chimiques pour nettoyer l'outil. Nettoyer avec un chiffon sec. Toujours conserver l'outil motorisé dans un endroit sec. Maintenir les fentes de ventilation du moteur propres. Empêcher que les commandes de marche soient couvertes de sciure. Il est normal que des étincelles soient visibles dans les fentes de ventilation, cela n'endommagera pas l'outil motorisé.

**Pour les outils à batterie**

La plage de température ambiante pour l'utilisation et le stockage de l'outil et de la batterie est de 0 °C à 45 °C.

La plage de température ambiante recommandée pour le système de recharge au cours de la charge est de 0 °C à 40 °C.

## PROTECTION DE L'ENVIRONNEMENT



Les déchets d'équipements électriques et électroniques ne doivent pas être déposés avec les ordures ménagères. Ils doivent être collectés pour être recyclés dans des centres spécialisés. Consultez les autorités locales ou votre revendeur pour obtenir des renseignements sur l'organisation de la collecte.

## DÉCLARATION DE CONFORMITÉ

Nous,  
Positec Germany GmbH  
Postfach 680194, 50704 Cologne, Germany

Déclarons que ce produit,  
Description: **Scie alternative sans fil**  
Modèle: **WS2847.9 (28-désignation des machines, représentative de la Scie sabre)**  
Fonctions: **Scier divers matériaux**

Est conforme aux directives suivantes,  
**2006/42/EC, 2014/30/EU, 2011/65/EU & (EU)2015/863**

Et conforme aux normes,  
**EN 62841-1, EN 62841-2-11, EN IEC 55014-1, EN IEC 55014-2, EN IEC 63000**

La personne autorisée à compiler le dossier technique,  
**Nom** Marcel Filz  
**Adresse** Positec Germany GmbH  
Postfach 680194, 50704 Cologne, Germany



2024/11/19

Allen Ding

Ingénieur en chef adjoint, Essais & Certification  
Positec Technology (China) Co., Ltd  
18, Dongwang Road, Suzhou Industrial  
Park, Jiangsu 215123, P. R. China


## ELEMENTI DELL'APPARECCHIO

1. Lama
2. Piastra del piede di supporto
3. Fessura per il morsetto della lama senza attrezzi
4. Luce a LED
5. Manopola selettore del pendolo
6. Pulsante di blocco
7. Interruttore di accensione/spegnimento
8. Batteria\*
9. Pulsante di rilascio del blocco batteria\*
10. Leva del morsetto della lama senza attrezzi
11. Pulsante di regolazione della profondità della piastra del piede

\* Accessori illustrati o descritti non fanno necessariamente parte del volume di consegna.

## DATI TECNICI

Codice WS2847.9 (designazione 28 di macchinari, rappresentativo del Sega A Gattuccio)

Vtaggio		18V 
Velocità a vuoto		0-3000/min
Lunghezza della corsa		29mm
Capacità di taglio	Legno	300mm
	Acciaio	12mm
Peso della macchina		2.8 kg

## INFORMAZIONI SUL RUMORE

Pressione acustica ponderata A

Potenza acustica ponderata A

$K_{pA}$  &  $K_{WA}$

**Indossare protezione per le orecchie.**

$L_{pA} = 78$  dB(A)

$L_{WA} = 86$  dB(A)

5 dB(A)



## ELEMENTI DELL'APPARECCHIO

I valori totali di vibrazione (somma vettoriale triassiale) sono determinati secondo lo standard EN 62841:

Valore emissione vibrazioni	Taglio tavole: $a_{h,B} = 5.48 \text{ m/s}^2$ Taglio travi di legno: $a_{h,WB} = 5.53 \text{ m/s}^2$ Incertezza $K = 1.5 \text{ m/s}^2$
-----------------------------	---

Il valore totale di emissione di vibrazioni dichiarato e il valore di emissioni sonore dichiarati sono stati misurati in base a un metodo di collaudo standard e possono essere utilizzati per il confronto di un utensile con un altro.

Il valore totale di emissione di vibrazioni dichiarato e il valore di emissioni sonore dichiarato possono anche essere utilizzati in una valutazione preliminare dell'esposizione.



**AVVERTENZA:** le emissioni di vibrazioni e sonore durante l'uso effettivo dell'elettro utensile possono differire dal valore dichiarato in base alle modalità con cui esso viene utilizzato. In particolare quale tipo di pezzo viene lavorato dipende dai seguenti fattori e da altre variazioni sulle modalità di utilizzo dell'elettro utensile:

Come viene usato l'elettro utensile e quali sono i materiali tagliati o forati.

Le condizioni e la buona manutenzione dell'elettro utensile.

L'uso dell'accessorio corretto per il taglio e la sua affilatura, nonché le sue buone condizioni.

La tenuta della presa sulle impugnature e se vengono utilizzati eventuali accessori antivibrazioni e antirumore.

L'adeguatezza dell'utilizzo dell'elettro utensile rispetto a quanto previsto.

**Questo elettro utensile potrebbe causare l'insorgenza della sindrome della vibrazione dell'avambraccio se il suo utilizzo non viene gestito correttamente.**



**AVVERTENZA:** per essere precisi, una stima del livello di esposizione nelle attuali condizioni di utilizzo dovrebbe anche tenere conto di tutte le parti del ciclo operativo, come le volte in cui lo strumento viene spento e il tempo in cui viene lasciato girare a vuoto senza realmente fare il suo lavoro. Questo potrebbe ridurre significativamente il livello di esposizione sul periodo di lavoro totale.

Aiuto a minimizzare il rischio di esposizione alle vibrazioni e al rumore.

Usare sempre scalpelli, trapani e lame affilati.

Conservare questo elettro utensile sempre in conformità a queste istruzioni e mantenerlo ben lubrificato (dove appropriato).

Se l'utensile deve essere utilizzato regolarmente, investire in accessori antivibrazioni e antirumore.

Pianificare il lavoro in modo da suddividere i lavori che implicano le maggiori vibrazioni nell'arco di più giorni.

## ACCESSORIES

Lama metallica

1

Lama di legno

1

Si raccomanda di acquistare tutti gli accessori nello stesso negozio in cui è stato acquistato l'attrezzo. Fare riferimento alla confezione dell'accessorio per altri dettagli. Il personale del negozio può aiutarvi e consigliarvi.

# SICUREZZA DEL PRODOTTO

## AVVISI GENERALI PER LA SICUREZZA DEGLI UTENSILI A MOTORE



**AVVERTENZA:** Leggere tutte le avvertenze di sicurezza, le istruzioni, le illustrazioni e le specifiche fornite con questo elettroutensile. La mancata osservanza delle istruzioni elencate di seguito potrebbe provocare una scossa elettrica, un incendio e/o lesioni gravi.

Conservare tutti gli avvisi e le istruzioni per poterli consultare quando necessario.

Il termine «elettrotensile elettrico» utilizzato di seguito in questo manuale si riferisce a utensili elettrici alimentati dalla rete (con linea di allacciamento), oltre che ad utensili elettrici alimentati a batteria (senza linea di allacciamento).

### 1. POSTO DI LAVORO

- a) **Mantenere pulito e ordinato il posto di lavoro.** Il disordine e le zone di lavoro non illuminate possono essere fonte di incidenti.
- b) **Evitare d'impiegare l'utensile in ambienti soggetti al rischio di esplosioni nei quali siano presenti liquidi, gas o polveri infiammabili.** Gli utensili elettrici producono scintille che possono incendiare polveri e gas.
- c) **Mantenere lontani i bambini e altre persone durante l'impiego dell'utensile elettrico.** Eventuali distrazioni potranno comportare la perdita di controllo sull'utensile.

### 2. SICUREZZA ELETTRICA

- a) **La spina elettrica dovrà essere adatta alla presa di corrente.** Evitare assolutamente di apportare modifiche alla spina. Non impiegare spine adattatrici assieme a utensili con collegamento a terra. Le spine non modificate e le prese adatte allo scopo riducono il rischio di scosse elettriche.
- b) **Evitare il contatto fisico con superfici collegate a terra, come tubi, apparecchiature per il riscaldamento, cucine elettriche e frigoriferi.** Nel momento in cui il corpo è messo a massa sussiste un maggior rischio di scosse elettriche.
- c) **Custodire l'utensile al riparo dalla pioggia o dall'umidità.** L'eventuale infiltrazione di acqua in un elettroutensile comporta un aumento del rischio d'insorgenza di scosse elettriche.
- d) **Non usare il cavo di alimentazione per scopi diversi da quelli previsti, al fine di trasportare o appendere l'elettrotensile, oppure per staccare la spina dalla presa di corrente.** Mantenere l'elettrotensile al riparo da fonti di calore, olio, spigoli o parti di strumenti in movimento. I cavi danneggiati o aggrovigliati aumentano il rischio d'insorgenza di scosse elettriche.
- e) **Qualora si voglia usare l'utensile all'aperto, impiegare solo ed esclusivamente cavi di prolunga omologati per l'impiego all'esterno.** L'uso di un cavo di prolunga omologato per l'impiego all'esterno riduce il rischio d'insorgenza di scosse elettriche.
- f) **Se si deve utilizzare l'elettrotensile in un luogo umido, utilizzare una fonte di alimentazione dotata di interruttore differenziale.** L'uso di un interruttore differenziale riduce il rischio di folgorazioni elettriche.

### 3. SICUREZZA DELLE PERSONE

- a) **È importante concentrarsi su ciò che si sta facendo e maneggiare con giudizio l'elettrotensile mentre si lavora.** Non utilizzare l'elettrotensile quando si è stanchi o sotto

l'effetto di alcol, stupefacenti e medicinali. Un attimo di distrazione durante l'uso dell'elettrotensile potrebbe causare lesioni gravi.

- b) **Indossare sempre dispositivi di protezione individuale, e guanti protettivi.** Se si avrà cura d'indossare equipaggiamento protettivo individuale come una maschera antipolvere, calzature antiscivolo di sicurezza, elmetto o dispositivi di protezione acustica, a seconda dell'impiego previsto per l'elettrotensile, si potrà ridurre il rischio di lesioni.
  - c) **Evitare l'avviamento involontario. Controllare che l'interruttore sia nella posizione di spegnimento (off) prima di effettuare il collegamento a una fonte di alimentazione/ batteria e prima di sollevare o trasportare l'elettrotensile.** Il fatto di tenere il dito sopra all'interruttore o di collegare l'utensile acceso all'alimentazione di corrente potrebbe essere causa di incidenti.
  - d) **Togliere gli attrezzi di regolazione o la chiave inglese prima di accendere l'elettrotensile.** Un attrezzo o una chiave inglese che si trovino in una parte della macchina che sta girando può causare lesioni a persone.
  - e) **È importante non sopravvalutarsi. Avere cura di mettersi in una posizione sicura e di mantenere l'equilibrio.** In tal modo sarà possibile controllare meglio la macchina in situazioni inaspettate.
  - f) **Indossare indumenti adeguati.** Evitare di indossare vestiti lenti o gioielli. Tenere i capelli e gli indumenti lontani dalle parti mobili. Vestiti lenti, gioielli o capelli lunghi potrebbero impigliarsi in parti in movimento.
  - g) **Se sussiste la possibilità di montare dispositivi di aspirazione o di captazione della polvere, assicurarsi che gli stessi siano stati installati correttamente e vengano utilizzati senza errori.** L'impiego dei suddetti dispositivi diminuisce il pericolo rappresentato dalla polvere.
  - h) **Non lasciare che la familiarità acquisita con l'utilizzo frequente dell'elettrotensile si trasformi in autocompiacimento e trascuratezza dei principi di sicurezza.** Un'azione imprudente può causare lesioni gravi entro una frazione di secondo.
- ### 4. MANEGGIO E IMPIEGO ACCURATO DI ELETTROUTENSILI
- a) **Non sovraccaricare l'elettrotensile.** Impiegare l'elettrotensile adatto per eseguire il lavoro. Utilizzando l'elettrotensile elettrico adatto si potrà lavorare meglio e con maggior sicurezza nell'ambito della gamma di potenza indicata.
  - b) **Non utilizzare elettroutensili con interruttori difettosi.** Un elettroutensile che non si può più accendere o spegnere è pericoloso e dovrà essere riparato.
  - c) **Staccare la spina dalla presa di corrente e/o rimuovere la batteria, se rimovibile, dall'elettrotensile prima di effettuare qualsiasi regolazione, sostituire gli accessori o riporre gli utensili elettrici.** Tale precauzione eviterà che la macchina possa essere messa in funzione inavvertitamente.
  - d) **Custodire gli elettroutensili non utilizzati fuori della portata dei bambini.** Non fare usare l'apparecchio a persone non abituate a farlo o che non abbiano letto le presenti istruzioni. Gli elettroutensili sono pericolosi se utilizzati da persone inesperte.
  - e) **Eseguire la manutenzione di elettroutensile e accessori.** Verificare che le parti mobili dell'elettrotensile funzionino perfettamente e non s'inceppino, che non ci siano pezzi rotti o danneggiati al punto tale da limitare la funzione della macchina stessa. Far riparare le parti danneggiate prima di utilizzare l'elettrotensile. Numerosi incidenti vengono causati da elettroutensili la cui manutenzione è stata effettuata in modo poco accurato.

- f) **Mantenere affilati e puliti gli utensili da taglio.** *Gli utensili da taglio curati con particolare attenzione e con taglianti affilati s'inceppano meno di frequente e sono più facili da condurre.*
- g) **Utilizzare elettrotrattenti, accessori, attrezzi, ecc. in conformità con le presenti istruzioni e secondo quanto previsto per questo tipo specifico di macchina.** *Observare le condizioni di lavoro e il lavoro da eseguire durante l'impiego. L'impiego di elettrotrattenti per usi diversi da quelli consentiti potrà dar luogo a situazioni di pericolo.*
- h) **Mantenere le impugnature e le superfici di presa asciutte, pulite e prive di olio e grasso.** *Le impugnature e le superfici di presa scivolose non permettono l'uso e il controllo sicuri dell'elettrotrattente in situazioni impreviste.*
- 5. MANEGGIO E IMPIEGO ACCURATO DELLE BATTERIE**
- a) **Caricare la batteria solo ed esclusivamente con i dispositivi di carica consigliati dal produttore.** *Per un dispositivo di carica previsto per un determinato tipo di batteria, sussiste pericolo di incendio, se utilizzato con una batteria di tipo diverso.*
- b) **Utilizzare negli elettrotrattenti elettrici solo ed esclusivamente le batterie previste per tale scopo.** *L'uso di batterie di tipo diverso potrebbe dare insorgenza a lesioni a persone e comportare il rischio d'incendi.*
- c) **Tenere la batteria non utilizzata lontano da graffette, monete, chiavi, chiodi, viti o altri oggetti in metallo di piccole dimensioni che potrebbero causare un ponte tra i contatti.** *Un eventuale cortocircuito tra i contatti della batteria può dare origine a bruciature o ad incendi.*
- d) **In caso di impiego sbagliato, possono verificarsi fuoriuscite di liquido dalla batteria. Evitarne il contatto. In caso di contatto casuale, sciacquare con acqua. Qualora il liquido dovesse entrare in contatto con gli occhi, chiedere immediato consiglio a un medico. Il liquido fuoriuscito dalla batteria può causare irritazioni cutanee o bruciature.**
- e) **Non utilizzare una batteria o un elettrotrattente danneggiati o modificati.** *Le batterie danneggiate o modificate potrebbero manifestare un comportamento imprevedibile con la possibilità di causare un'esplosione o un incendio.*
- f) **Non esporre una batteria o un utensile al fuoco o a temperature elevate.** *L'esposizione al fuoco o a una temperatura superiore a 130°C potrebbe provocare un'esplosione.*
- g) **Seguire tutte le istruzioni per la carica e non caricare la batteria o l'elettrotrattente a una temperatura che non rientri nell'intervallo di valori specificato nelle istruzioni.** *Una ricarica effettuata in maniera scorretta o a una temperatura che non rientra nell'intervallo di valori specificato, potrebbe danneggiare la batteria aumentando il rischio d'incendio.*
- 6. ASSISTENZA**
- a) **Fare riparare l'apparecchio esclusivamente da personale specializzato e solo impiegando pezzi di ricambio originali.** *In tal modo potrà essere salvaguardata la sicurezza dell'apparecchio.*
- b) **Non riparare le batterie danneggiate.** *Gli interventi di riparazione sulle batterie devono essere eseguiti dal costruttore o da fornitori di assistenza autorizzati.*

## AVVISI GENERALI PER LA SICUREZZA DEL SEGNETTO ALTERNATIVO

1. Qualora si eseguano attività che prevedano il contatto dell'attrezzo con fili elettrici nascosti o con lo stesso cavo di alimentazione, tenere l'utensile da taglio servendosi delle apposite impugnature isolate. *In questo modo, si eviterà il contatto con i fili sotto tensione, impedendo il trasferimento della stessa alle parti metalliche dell'attrezzo ed il conseguente rischio di scossa elettrica per l'operatore.*
2. Usare morse o altri metodi pratici per fissare e sostenere il pezzo in lavorazione su una piattaforma stabile. *Tenere il pezzo in lavorazione con le mani o contro il corpo non ne assicura la stabilità e potrebbe comportare la perdita di controllo.*

## SIMBOLI



Per ridurre il rischio di lesioni, l'utente deve leggere il manuale di istruzioni



Indossare una protezione per gli occhi



Indossare protezioni per le orecchie



Indossare una maschera antipolvere



Avvertimento



I prodotti elettrici di scarto non devono essere smaltiti con i rifiuti domestici. Si prega di riciclare dove esistono strutture. Verificare con le autorità locali o il rivenditore per consigli sul riciclaggio.

## ISTRUZIONI SUL FUNZIONAMENTO



**NOTA:** Leggere scrupolosamente il manuale delle istruzioni prima di usare l'attrezzo.

### USO PREVISTO

La macchina viene utilizzata per segare legno, plastica, metallo e materiali da costruzione pur essendo fissata saldamente sul pezzo. Adatto per taglio diritto e curvo.

### PRIMA DELL'OPERAZIONE

#### 1. IMMOZIONE E INSTALLAZIONE DELL'UNITÀ BATTERIA (NON INCLUSO) (VEDI FIG. A1, A2)

Per rimuovere il pacchetto batterie, farlo scorrere nel portabatterie dello strumento. Una semplice spinta e una leggera pressione saranno sufficienti.

Per installare il pacchetto batterie, premere il pulsante di rilascio del pacchetto batterie e rimuoverlo dall'utensile.

## 2. MONTAGGIO DELLA LAMA PER SEGA (VEDI FIG. B)

Aprire la leva di fissaggio della lama senza utensili e fissarla in posizione. Quindi inserire la lama completamente nella scanalatura di fissaggio della lama con i denti della lama rivolti in avanti, quindi rilasciare la leva di fissaggio della lama, che si bloccherà sulla parte superiore della lama. Provare a estrarre nuovamente la lama dalla scanalatura di fissaggio per assicurarsi che si blocchi in posizione. Per rimuovere la lama, aprire la leva di fissaggio della lama senza utensili e fissarla in posizione. Rimuovere la lama, quindi allentare la leva di fissaggio della lama senza utensili.

 **ATTENZIONE: I denti della lama sono molto affilati. Per ottenere i migliori risultati di taglio, assicurarsi di utilizzare una lama adatta al materiale e alla qualità di taglio necessari.**

## FUNZIONAMENTO

### 1. INTERRUOTTORE ACCESO/ SPENTO DI SICUREZZA (VEDI FIG. C1)

Il pulsante di blocco può essere bloccato in posizione OFF. Questo aiuta a ridurre la possibilità di avvio accidentale quando non in uso. Premere il pulsante di blocco a sinistra o a destra, quindi premere l'interruttore acceso /spento, quindi rilasciare il pulsante di blocco. Il tuo interruttore è ora acceso. Per spegnere l'alimentazione, è sufficiente rilasciare l'interruttore di alimentazione.

**NOTA:** La luce a LED si illuminerà automaticamente nella zona di lavoro quando il prodotto è acceso.

 **AVVISO: Non guardare direttamente la luce a LED!**

### 2. CONTROLLO DELLA VELOCITÀ VARIABILE (VEDI FIG. C2)

L'interruttore Acceso /Spento è anche un interruttore per il controllo della velocità variabile. La velocità della corsa del pistone della lama può essere regolata dal minimo al massimo mediante la pressione applicata all'interruttore Acceso/ Spento.

Applicare più pressione per aumentare la velocità e rilasciare la pressione per diminuirla.

### 3. ZONA DI PRESA DELLA MANO (VEDI FIG. D)

Durante il funzionamento, tenere sempre saldamente la sega con entrambe le mani.

### 4. REGOLAZIONE DELLA PIASTRA PER PIREDE

Regolare la posizione della piastra per piede in base alla lunghezza della lama e allo spessore del pezzo; assicurarsi sempre che la lama superi il pezzo durante l'intera corsa. (Vedi fig. E1)

#### Regolazione dell'angolo della piastra per piede (Vedi Fig. E2)

La piastra per piede del perno è inclinata in modo tale che la sua superficie sia a contatto con la superficie di lavoro il più possibile. Per effettuare le regolazioni, tenere saldamente la sega e ruotare la piastra per piede nella posizione desiderata.

#### Regolazione della profondità della piastra per piede (vedi Fig. E3)

Se è necessario ridurre la capacità di taglio (profondità di taglio) dell'utensile, è possibile regolare la piastra per piede come segue. Premere il pulsante di regolazione della profondità della piastra per piede nella parte inferiore del case anteriore. Far scorrere la piastra per piede pivotante nella posizione desiderata. Rilasciare il pulsante di regolazione della profondità della piastra per piede e verificare che la piastra per piede sia bloccata saldamente.

### 5. MANOPOLA DI SELETORE PENDOLO (VEDI FIG. F)

Regolare la velocità di rotazione in base al materiale e allo spessore del pezzo.

Posizione SPENTO: Pezzo sottile con taglio fine; la qualità della superficie di taglio è più importante della velocità; taglio del metallo. Posizione ACCESO: Tagliare rapidamente e materiali morbidi (ad es. legno dolce); tagliare lungo la direzione del grano.

## 6. TAGLIO A IMMERSIONE (VEDI FIG. G)

 **ATTENZIONE: La procedura di taglio a immersione è adatta solo per trattare materiali morbidi come legno, cartongesso o simili! Non lavorare materiali metallici morbidi con la procedura di taglio a immersione!**

Utilizzare solo lame da sega corte per il taglio a immersione. Posizionare la sega con il bordo del piede della lama sul pezzo da lavorare e accenderla. Per gli utensili elettrici con controllo della velocità di corsa, impostare la massima velocità di corsa. Premere saldamente la sega contro il pezzo da lavorare e permettere alla lama della sega di immergersi lentamente nel pezzo da lavorare. Non appena il piede della lama è completamente appoggiato sulla superficie del pezzo da lavorare, continuare a segare lungo la linea di taglio desiderata. Per determinati lavori, la lama della sega può anche essere inserita girata di 180° e la sega alternativa può essere guidata di conseguenza in modo inverso.

## 7. TAGLIO A FLUSSO (VEDI FIG. H)

 **AVVERTENZA: Prestare attenzione affinché la lama della sega si estenda sempre oltre il diametro del materiale in lavorazione. C'è pericolo di ribaltamento.**

Il taglio potrebbe essere molto vicino al pavimento, alla parete e ad altre aree difficili. Inserire la maniglia della lama verso l'alto (opposta alla normale posizione operativa) nel supporto di lama. Ciò consentirà di avvicinare il taglio alla superficie di lavoro. Utilizzare una lama flessibile speciale per inserire la lama nel supporto di lama con i denti della lama rivolti verso il basso (normale posizione di lavoro). Consentirà il taglio del tubo di lavaggio.

## 8. TAGLIO DEL LEGNO (VEDI FIG. I)

Accertarsi sempre che il pezzo sia bloccato saldamente per impedire il movimento. Per un controllo più semplice, iniziare a tagliare a bassa velocità e quindi aumentare alla velocità corretta.

## 9. TAGLIO DEL METALLO (VEDI FIG. J)

La sega ha diverse capacità di taglio dei metalli, a seconda del tipo di lama utilizzata e del metallo da tagliare.

**SEMPRE** bloccare il lavoro verso il basso per evitare che scivoli. Utilizzare lame più sottili per metalli ferrosi e lame più spesse per metalli non ferrosi.

Quando si tagliano lamiere a scartamento ridotto, **SEMPRE** bloccano il legno su entrambi i lati del foglio. Questo ti fornirà un taglio netto senza eccessive vibrazioni o strappi di metallo.

**NON** forzare la lama di taglio. Spingendo forte la lama si accorcia la durata della lama e la si rompe.

**NOTA:** Si consiglia di distribuire una pellicola di olio o altro refrigerante sulla linea di taglio prima della sega. Ciò renderà l'operazione più semplice e contribuirà a prolungare la durata della lama. Quando si taglia l'alluminio, utilizzare il cherosene.

## 10. TAGLIO DI PLASTICA / ALLUMINIO (VEDI FIG. K)

Assicurarsi sempre che la plastica / alluminio sia saldamente serrata per evitare movimenti. Per un controllo più facile, utilizzare una bassa velocità per iniziare il taglio, quindi aumentare alla velocità corretta.

## 11. TAGLIO DELLA TASCA (solo materiali morbidi. Non tagliare sulla superficie metallica) (VEDI FIG. L)

Segna il punto da tagliare sulla tasca o sul foro interno. Inserire una lama per sega speciale con i denti rivolti verso il basso e fissarla saldamente. Regolare l'angolazione della sega in modo che il bordo posteriore della protezione della lama poggia sulla superficie di lavoro. Inizia a tagliare a bassa velocità per evitare di rompere la lama, ma una volta che inizi a tagliare, aumenta la velocità per raggiungere la velocità corretta. Con la protezione della lama della sega fissata saldamente alla superficie di lavoro, la sega lenta ma controllata inizia a oscillare verso l'alto. La lama taglierà dentro e attraverso il materiale. Prima di tagliare il resto della tasca, assicurarsi sempre che la lama passi completamente attraverso il materiale.

## SUGGERIMENTI PER L'UTILIZZO DELLA TUA SEGACCIO A VAPORE

Se il tuo utensile elettrico diventa troppo caldo, impostare la velocità al massimo e farlo funzionare a vuoto per 2-3 minuti per raffreddare il motore.

Assicurarsi sempre che il pezzo da lavorare sia saldamente tenuto o serrato per evitare movimenti.

Il piede girevole deve essere tenuto saldamente contro il materiale in fase di taglio per ridurre le vibrazioni della sega, il saltellamento della lama e la rottura della lama.

## MANUTENZIONE

**Rimuovere il pacco batteria dall'utensile prima di eseguire qualsiasi regolazione, riparazione o manutenzione.**

L'attrezzo non richiede lubrificazione o manutenzione aggiuntiva. All'interno dell'attrezzo non ci sono parti riparabili da parte dell'utente. Non usare mai acqua o detersivi chimici per pulire l'attrezzo. Pulire con un panno asciutto. Immagazzinare sempre gli attrezzi elettrici in luoghi asciutti. Tenere pulite le aperture di ventilazione del motore. Tenere puliti dalla polvere tutti i controlli operativi. La formazione di scintille all'interno delle aperture di ventilazione, è un fenomeno normale che non crea danni all'attrezzo.

### Per gli utensili a batteria

La temperatura ambientale raccomandata per l'uso e la conservazione dell'utensile e della batteria è di 0 °C-45 °C.

La temperatura ambientale raccomandata per il caricabatterie durante la carica è di 0 °C-40 °C.

## TUTELA AMBIENTALE



I prodotti elettrici non possono essere gettati tra i rifiuti domestici. L'apparecchio da rottamare deve essere portato al centro di riciclaggio per un corretto trattamento. Controllare con le autorità locali o con il rivenditore per localizzare il centro di riciclaggio più vicino.

## DICHIARAZIONE DI CONFORMITÀ

Noi,  
Positec Germany GmbH  
Postfach 680194, 50704 Cologne, Germany

Dichiariamo che l'apparecchio,  
Descrizione: **Sega alternativa senza filo**  
Codice: **WS2847.9 (designazione 28 di macchinari, rappresentativo del Seg A Gattuccio)**  
Funzioni: **Taglio di vari materiali**

È conforme alle seguenti direttive,  
**2006/42/EC, 2014/30/EU, 2011/65/EU & (EU)2015/863**

Conforme a,  
**EN 62841-1, EN 62841-2-11, EN IEC 55014-1, EN IEC 55014-2, EN IEC 63000**

Il responsabile autorizzato alla compilazione della documentazione tecnica,

Nome **Marcel Filz**  
Indirizzo **Positec Germany GmbH**  
Postfach 680194, 50704 Cologne, Germany



2024/1/19

Allen Ding

Vice capo ingegnere, testing e certificazione  
Positec Technology (China) Co., Ltd  
18, Dongwang Road, Suzhou Industrial  
Park, Jiangsu 215123, P. R. China


# LISTA DE COMPONENTES

1. Cuchilla
2. Placa del pie pivotante
3. Ranura de sujeción de la cuchilla sin herramientas
4. Luz LED
5. Perilla selector de péndulo
6. Botón de bloqueo
7. Interruptor de gatillo de encendido/apagado
8. Paquete de batería\*
9. Botón de liberación del paquete de batería\*
10. Palanca de sujeción de la cuchilla sin herramientas
11. Botón de ajuste de profundidad de la placa del pie

\* No todos los accesorios ilustrados o descritos están incluidos en la entrega estándar.

## DATOS TÉCNICOS

Modelo WS2847.9 (28- designación de maquinaria, representantes de Sierra sable)

Voltaje		18V 
Sin velocidad de carga		0-3000/min
Longitud del trazo		29mm
Capacidad de corte	Madera	300mm
	Acero	12mm
Peso de la máquina		2.8 kg

## INFORMACIÓN SOBRE EL RUIDO

Nivel de presión acústica ponderada

Nivel de potencia acústica ponderada

$K_{pa}$  &  $K_{wa}$

Utilice protección auditiva.

$L_{TA} = 78$  dB(A)

$L_{WA} = 86$  dB(A)

5 dB(A)

# INFORMACIÓN SOBRE LAS VIBRACIONES

Valores totales de vibración (suma vectorial triangular) determinados según la norma EN 62841:

Valor de emisión de vibración	Tabla para cortar: $a_{h,B} = 5.48 \text{ m/s}^2$ Viga de madera para cortar: $a_{h,WB} = 5.53 \text{ m/s}^2$ Incertidumbre $K = 1.5 \text{ m/s}^2$
-------------------------------	---

El valor total de vibraciones declarado y el valor de emisiones acústicas declarado se han medido de conformidad con un método de prueba estándar y pueden utilizarse para realizar comparaciones entre herramientas.

El valor total de vibraciones declarado y el valor de emisiones acústicas declarado también pueden utilizarse en una evaluación preliminar de la exposición.



**ADVERTENCIA:** Las vibraciones y las emisiones acústicas que se producen durante el uso de la herramienta eléctrica pueden variar respecto a los valores declarados en función de cómo se utilice la herramienta, especialmente dependiendo del tipo de pieza de trabajo que se procese y de otras formas de usar la herramienta:

Cómo se utiliza la herramienta y se cortan o perforan los materiales.

Si la herramienta se encuentra en buenas condiciones de mantenimiento.

Si se utiliza el accesorio correcto para la herramienta y se garantiza que está afilado y en buenas condiciones.

La firmeza de sujeción de las empuñaduras, y el uso de accesorios para reducir las vibraciones y el ruido.

Y si la herramienta se utiliza según su diseño y estas instrucciones.

**Esta herramienta podría causar síndrome de vibración del brazo y la mano si no se utiliza correctamente.**



**ADVERTENCIA:** Para conseguir una mayor precisión, debe tenerse en cuenta una estimación del nivel de exposición en condiciones reales de todas las partes del ciclo de uso, como los tiempos durante los que la herramienta está apagado o cuando está en funcionamiento pero no está realizando ningún trabajo. Ello podría reducir notablemente el nivel de exposición sobre el periodo de carga total.

Minimización del riesgo de exposición a las vibraciones y el ruido.

Utilice SIEMPRE cinceles, brocas y cuchillas afiladas.

Mantenga esta herramienta de acuerdo con estas instrucciones y bien lubricada (si es necesario).

Si la herramienta se va a utilizar de forma habitual, se recomienda adquirir accesorios para reducir las vibraciones y el ruido.

Planifique su programa de trabajo para distribuir el uso de la herramienta a lo largo de varios días.

## ACCESORIOS

**Cuchilla de metal**

**1**

**Cuchilla de madera**

**1**

Le recomendamos comprar los accesorios mencionados en la lista anterior en el mismo comercio en que compró la herramienta. Consulte el paquete de accesorios para más detalles. El personal del comercio puede ayudarle aconsejarle.

# SEGURIDAD DEL PRODUCTO

## ADVERTENCIAS DE SEGURIDAD

### GENERALES PARA LA HERRAMIENTA ELÉCTRICA



**ADVERTENCIA:** Lea todas las advertencias y especificaciones que acompañan a esta herramienta eléctrica. *El no seguir todas las instrucciones a continuación puede ocasionar descargas eléctricas, incendios y/o heridas graves.*

Conservar todas las advertencias e instrucciones para consulta futura. El término "herramienta eléctrica" que figura en todas las advertencias que aparecen a continuación hace referencia a la herramienta que funciona con la red de suministro eléctrico (con cable) o a la herramienta eléctrica accionada a baterías (sin cable).

#### 1) ÁREA DE TRABAJO

- a) Mantenga su lugar de trabajo limpio y bien iluminado. *Bancos de trabajo desordenados y lugares oscuros invitan a los accidentes.*
- b) No utilice herramientas eléctricas en atmósferas explosivas, como por ejemplo en presencia de líquidos, inflamables, gases o polvo. *Las herramientas eléctricas crean chispas que pueden encender el polvo o los vapores.*
- c) Mantenga a los espectadores, niños y visitantes a una distancia prudente cuando esté utilizando una herramienta eléctrica. *Las distracciones pueden hacerle perder el control.*

#### 2) SEGURIDAD ELÉCTRICA

- a) Los enchufes de las herramientas eléctricas deben coincidir con el tomacorriente. No modifique de algún modo el enchufe. No utilice enchufes adaptadores con herramientas eléctricas conectadas a tierra. *Si no se modifican los enchufes y se utilizan los tomacorrientes adecuados, se reducirá el riesgo de una descarga eléctrica.*
- b) Evite el contacto del cuerpo con las superficies conectadas a tierra tales como tuberías, radiadores, estufas de cocina y refrigeradores. *Existe mayor riesgo de que se produzcan descargas eléctricas si su cuerpo está conectado a tierra.*
- c) No exponga las herramientas eléctricas a la lluvia ni a los ambientes húmedos. *La entrada de agua en una herramienta eléctrica aumenta el riesgo de que se produzcan descargas eléctricas.*
- d) No abuse del cable. Nunca use el cable para transportar las herramientas ni para sacar el enchufe de un tomacorriente. Mantenga el cable alejado del calor, el aceite, los bordes afilados o las piezas móviles. *Los cables dañados aumentan el riesgo de que se produzcan descargas eléctricas.*
- e) Cuando opere una herramienta eléctrica en exteriores, use un cable de extensión adecuado para uso en exteriores. *El uso de un cable adecuado para uso en exteriores reduce el riesgo de descargas eléctricas.*
- f) Si operar una herramienta eléctrica en un lugar húmedo es inevitable, use un elemento protegido del dispositivo de corriente residual (RCD). *El uso de un RCD reduce el riesgo de descargas eléctricas.*

#### 3) SEGURIDAD PERSONAL

- a) Manténgase alerta, fíjese en lo que está haciendo y use el sentido común cuando utilice una herramienta eléctrica. No use la herramienta cuando esté cansado o se encuentre

bajo la influencia de drogas, alcohol o medicamentos. *Un momento de distracción al utilizar herramientas eléctricas puede dar lugar a lesiones personales graves.*

- b) **Utilice equipo de seguridad. Use siempre protección ocular.** *La utilización del equipo de seguridad como mascarara antipolvo, zapatos de seguridad antideslizantes, casco o protección auditiva para condiciones adecuadas reducirá el riesgo de lesiones personales.*
  - c) **Evite el arranque accidental. Asegúrese de que el interruptor esté en la posición de trabado o de apagado antes de instalar el paquete de baterías.** *Transportar herramientas con el dedo en el interruptor o instalar el paquete de batería cuando el interruptor está encendido invitan a los accidentes.*
  - d) **Retire las llaves o claves de ajuste antes de encender la herramienta.** *Una llave o clave de ajuste dejada en una parte giratoria de la herramienta puede causar una lesión personal.*
  - e) **No se extralimite. Mantenga un apoyo de los pies y un equilibrio adecuados en todo momento.** *El apoyo de los pies y el equilibrio adecuados permiten un mejor control de la herramienta en situaciones inesperadas.*
  - f) **Vístase apropiadamente. No se ponga ropa holgada ni joyas.** *Mantenga su cabello, ropa y guantes alejados de las piezas móviles. La ropa holgada, las joyas o el pelo largo pueden quedar atrapados en las piezas móviles.*
  - g) **Si se proporcionan dispositivos para la extracción y recolección de polvo, asegúrese que estos estén conectados y utilizados correctamente.** *El uso de estos dispositivos puede reducir peligros relacionados con el polvo.*
  - h) **No permita que la familiaridad obtenida a partir del uso frecuente de otras herramientas le permita volverse complaciente e ignorar los principios de seguridad de la herramienta.** *Una acción descuidada puede causar lesiones severas en una fracción de segundo.*
- #### 4) USO Y CUIDADO DE LA HERRAMIENTA
- a) **No fuerce la herramienta. Emplee la herramienta correcta para la aplicación que desea.** *La herramienta correcta hará el trabajo mejor y con más seguridad a la capacidad nominal para la que está diseñada.*
  - b) **No utilice la herramienta si el interruptor no la enciende o apaga.** *Toda herramienta que no se pueda controlar con el interruptor es peligrosa y debe ser reparada.*
  - c) **Desconecte la batería de la herramienta o ponga el interruptor en la posición de trabado o de apagado antes de hacer cualquier ajuste, cambio de accesorios o guardar la herramienta.** *Estas medidas de seguridad preventivas reducen el riesgo de encender la herramienta accidentalmente.*
  - d) **Guarde las herramientas que no esté usando fuera del alcance de los niños y otras personas no capacitadas.** *Las herramientas son peligrosas en las manos de los usuarios no capacitados.*
  - e) **Mantenga las herramientas con cuidado. Compruebe la desalineación o el atasco de las piezas móviles, la ruptura de piezas y cualquier otra situación que pueda afectar el funcionamiento de las herramientas.** *Si la herramienta está dañada, hágala arreglar antes de usarla. Muchos accidentes son causados por herramientas mantenidas deficientemente.*
  - f) **Conservar las herramientas de corte afiladas y limpias.** *Las herramientas mantenidas adecuadamente, con bordes de corte afilados, tienen menos probabilidades de atascarse y son más fáciles de controlar.*
  - g) **Utilice la herramienta eléctrica, accesorios, brocas de la herramienta, etc. de acuerdo con estas instrucciones**



y de la manera adecuada para el tipo de herramienta eléctrica, teniendo en cuenta las condiciones de trabajo y el trabajo que se realizará. La utilización de la herramienta eléctrica para operaciones diferentes de aquellas para las que se encuentra diseñada podría dar lugar a una situación peligrosa.

- h) Mantenga las manijas y las superficies de sujeción secas, limpias y libres de aceite y grasa. Las manijas y superficies de sujeción resbaladizas no permiten el manejo y control seguros de la herramienta en situaciones inesperadas.
- 5) **UTILIZACIÓN Y CUIDADO DE LA HERRAMIENTA ACCIONADA A BATERÍAS**
- a) Una herramienta accionada a baterías que tenga baterías integradas o un paquete de baterías separado se debe recargar solamente con el cargador especificado para la batería. Un cargador que puede ser adecuado para un tipo de batería puede crear un peligro de incendio cuando se usa con otra batería.
- b) Utilice la herramienta accionada a baterías solamente con el paquete de baterías designado específicamente. El uso de cualquier otra batería puede crear un peligro de incendio.
- c) Cuando el paquete de baterías no se usa, manténgalo alejado de otros objetos metálicos como: sujetapapeles, monedas, clavos, tornillos u otros pequeños objetos de metal capaces de hacer una conexión entre los terminales. El cortocircuito de los terminales de una batería puede causar chispas, quemaduras o incendio.
- d) Bajo condiciones abusivas, la batería puede expulsar líquido; evite el contacto. Si ocurre un contacto accidental, enjuague con agua. Si el líquido entra en contacto con los ojos, busque ayuda médica. El líquido expulsado por la batería puede causar irritación o quemaduras.
- e) No use un paquete de batería o una herramienta que esté dañada o modificada. Las baterías dañadas o modificadas pueden presentar un comportamiento imprevisto que resulte en incendios, explosión o riesgo de lesiones.
- f) No exponga un paquete de batería o herramienta a fuego o temperatura excesiva. La exposición a fuego o temperatura mayor a 130°C pueden causar una explosión.
- g) Siga todas las instrucciones de carga y no cargue el paquete de batería o la herramienta fuera del rango de temperatura especificado en las instrucciones. Cargar inadecuadamente o en temperaturas fuera del rango especificado pueden dañar la batería e incrementar el riesgo de incendio.
- 6) **REPARACIÓN**
- a) La herramienta debe ser reparada por una persona calificada de servicio técnico y se deben utilizar partes de reemplazo originales. Esto asegurará el mantenimiento de la seguridad de la herramienta eléctrica.
- b) Nunca dé servicio a paquetes de batería dañados. El servicio de paquetes de batería sólo debe ser realizado por el fabricante o proveedores de servicio autorizados.

## ADVERTENCIA DE SEGURIDAD GENERAL SOBRE LA SIERRA SABLE

1. Sostenga la herramienta por las empuñaduras aislantes cuando realice una operación de corte, perforación o desbaste. De este modo evitará posibles descargas eléctricas, en caso de que su herramienta o accesorio contacte con cables ocultos.

2. Utilice unas mordazas u otro método igual de práctico para fijar y aguantar la pieza de trabajo en una base estable. Si sujeta la pieza de trabajo con la mano o contra su cuerpo, será menos estable y podría perder el control.

## SÍMBOLO



Para reducir el riesgo de lesiones, el usuario debe leer el manual de instrucciones.



Usar protección para los ojos.



Usar protección para los oídos.



Usar mascarilla antipolvo.



Advertencia



Waste electrical products must not be disposed of with household waste. Please recycle where facilities exist. Check with your local authorities or retailer for recycling advice.

## INSTRUCCIONES DE FUNCIONAMIENTO



**NOTA:** Antes de utilizar la herramienta, lea atentamente el libro de instrucciones.

### POSIBLE USO

La máquina está diseñada para aserrar madera, plástico, metal y materiales de construcción mientras reposa firmemente sobre la pieza de trabajo. Es adecuado para cortes rectos y curvos.

### BEFORE OPERATION

#### 1. PARA RETIRAR O INSTALAR LAS BATERÍAS (NO SUMINISTRADO) (VER FIG. A1, A2)


Para quitar el paquete de baterías, deslícelo en el puerto de la batería de la herramienta. Un simple empuje y una ligera presión serán suficientes.

Para instalar el paquete de baterías, presione el botón de liberación del paquete de baterías y retirelo de la herramienta.

#### 2. MONTAJE DE LA HOJA DE LA SIERRA (VER FIG. B)

Abra la palanca de sujeción de la cuchilla sin herramientas y manténgala en posición. Luego inserte completamente la cuchilla en la ranura de la abrazadera de la cuchilla con los dientes de la cuchilla hacia adelante y suelte la palanca de la abrazadera de la cuchilla, que se sujetará sobre la parte superior de la cuchilla. Intente sacar la cuchilla de la ranura de la abrazadera de la cuchilla nuevamente para asegurarse de que esté bloqueada en su posición.

Para quitar una cuchilla, abra la palanca de sujeción de la cuchilla sin herramientas y manténgala en posición. Retire la cuchilla y suelte la palanca de sujeción de la cuchilla sin herramientas.

 **ADVERTENCIA:** Los dientes de la cuchilla son muy afilados. Para obtener los mejores resultados de corte, asegúrese de utilizar una cuchilla adecuada para el material y la calidad de corte que necesita.

## OPERACIÓN

### 1. INTERRUPTOR DE ENCENDIDO / APAGADO DE SEGURIDAD (VER LA FIG. C1)

El botón de bloqueo se puede bloquear en la posición OFF. Esto ayuda a reducir la posibilidad de un arranque accidental cuando no esté en uso. Presione el botón de bloqueo hacia la izquierda o hacia la derecha, luego el interruptor de encendido / apagado y suelte el botón de bloqueo. Su interruptor está ahora encendido. Para apagar la herramienta, simplemente presione y suelte el interruptor de encendido/apagado.

**NOTA:** La luz LED se iluminará automáticamente en la zona de trabajo cuando el producto esté encendido.

 **ADVERTENCIA:** ¡No mire directamente a la luz LED!

### 2. CONTROL DE VELOCIDAD VARIABLE (VER FIG. C2)

El interruptor de encendido / apagado también es un interruptor gatillo controlador para velocidad variable. La velocidad del trazo del émbolo de la cuchilla se puede ajustar del mínimo al máximo mediante la presión que se aplica al interruptor de encendido / apagado.

Aplique más presión para aumentar la velocidad y libere presión para disminuirla.

### 3. ÁREAS DE AGARRE DE LA MANO (VER LA FIG. D)

Siempre sostenga su sierra firmemente con ambas manos cuando la opere.

### 4. AJUSTE DE LA BASE DEL REPOSAPIÉS

Ajuste la posición del reposapiés de acuerdo con la longitud de la cuchilla y el grosor de la pieza de trabajo; asegúrese siempre de que la cuchilla se extienda más allá de la pieza de trabajo durante todo el recorrido (Ver Fig. E1).

#### Ajuste del ángulo del reposapiés (Ver Fig. E2)

La placa base del pivote se inclina para mantener la mayor parte de su superficie en contacto con la superficie de trabajo. Para ajustarlo, sostenga la sierra firmemente y gire el reposapiés a la posición deseada.

#### Ajuste de la profundidad del reposapiés (Ver Fig. E3)

Si necesita reducir la capacidad de corte de su herramienta (profundidad de corte), la placa de base del pivote se puede ajustar de la siguiente manera. Presione el botón de ajuste de profundidad de la plataforma en la parte inferior de la carcasa delantera. Deslice la placa de base giratoria a la posición requerida. Suelte el botón de ajuste de profundidad de la plataforma y verifique que la placa esté firmemente asegurada.


### 5. MANDO SELECTOR PENDULAR (VER FIG. F)

Ajuste la velocidad del péndulo de acuerdo con el material y el grosor de la pieza de trabajo.

Posición OFF: Cortes finos en piezas delgadas; la calidad de la superficie de corte es preferente a la velocidad; cortes metálicos.

Posición ON: Cortes rápidos en materiales blandos (por ejemplo, madera blanda); cortes en la dirección granular de la madera.

### 6. CORTE A PROFUNDIDAD (VER LA FIG. G)

 **ADVERTENCIA:** ¡El procedimiento de corte a profundidad solo es adecuado para tratar materiales blandos como madera, tablero de yeso o similares! ¡No trabaje con materiales de metal blando utilizando el procedimiento de corte a profundidad!

Utilice solo hojas de sierra cortas para el corte a profundidad.

Coloque la sierra con el borde de la base de la hoja sobre la pieza de trabajo y enciéndala. Para herramientas eléctricas con control de velocidad de carrera, ajuste la velocidad de carrera máxima. Presione la sierra firmemente contra la pieza de trabajo y permita que la hoja de sierra penetre lentamente en la pieza de trabajo. Tan pronto como la base de la hoja esté completamente apoyada en la superficie de la pieza de trabajo, continúe serrando junto a la línea de corte deseada. Para ciertos trabajos, la hoja de sierra también puede insertarse girada 180° y la sierra de sable puede ser guiada en consecuencia de manera invertida.

### 7. CORTE AL RAS (VER LA FIG. H)

 **ADVERTENCIA:** Preste atención a que la hoja de sierra siempre se extienda más allá del diámetro del material que se está trabajando. Existe peligro de retroceso.

Es posible hacer cortes extremadamente cerca de pisos, paredes y otras áreas difíciles. Inserte el vástago de la cuchilla en la abrazadera de la cuchilla con los dientes de la cuchilla hacia arriba (opuesto a la posición de trabajo normal). Esto hará cortes más cerca de la superficie de trabajo. Usando cuchillas flexibles especiales, inserte la cuchilla en la abrazadera de la cuchilla con los dientes de la cuchilla hacia abajo (posición de trabajo normal). Permitirá cortar el tubo de descarga.

### 8. CORTES DE MADERA (VER LA FIG. I)

Asegúrese siempre de que la pieza de trabajo esté firmemente sujeta para evitar que se mueva. Para un control más fácil, use la velocidad baja para comenzar a cortar, luego aumente a la velocidad correcta.

### 9. CORTE DE METALES (VER LA FIG. J)

Esta sierra tiene diferentes capacidades de corte para metales dependiendo del tipo de cuchilla que se usa y del metal que se corta.

**SIEMPRE** sujete el trabajo hacia abajo para evitar que se deslice. Use una cuchilla más fina para metales ferrosos y una gruesa para metales no ferrosos.

Al cortar láminas de metal de calibre delgado, **SIEMPRE** sujete la madera en ambos lados de la lámina. Esto le dará un corte limpio sin exceso de vibración o desgarro del metal.

No fuerce la herramienta eléctrica. Forzar la cuchilla reducirá la vida útil de la cuchilla y hará que se rompa.

**NOTA:** Recomendamos que extienda una película delgada de aceite u otro refrigerante a lo largo de la línea de corte antes de serrar. Esto permitirá una operación más fácil y ayudará a extender la vida útil de la cuchilla. Al cortar aluminio, use queroseno.

### 10. CORTE DE PLÁSTICO / ALUMINIO (VER LA FIG. K)

Siempre asegúrese de que el plástico / aluminio esté firmemente sujeto para evitar movimientos. Para un control más fácil, utilice una velocidad baja para comenzar el corte, luego aumente a la velocidad correcta.

## 11. CORTE DE BOLSILLO (Solo materiales blandos. No sumerja el corte en superficies metálicas) (VER LA FIG. L)

Marque el bolsillo o el orificio interno que se va a cortar. Inserte la cuchilla de corte especial con los dientes de la cuchilla hacia abajo y sujételo firmemente. Incline la sierra de manera que el borde posterior del protector de la hoja en reposo sobre la superficie del trabajo. Use una velocidad lenta para comenzar el corte para evitar romper la cuchilla, pero aumente a la velocidad correcta una vez que el corte haya comenzado. Con el protector de la hoja firmemente sujeto contra la superficie de trabajo, comience un movimiento lento pero controlado hacia arriba de la sierra. La cuchilla cortará dentro y a través del material. Siempre asegúrese de que la cuchilla atraviese completamente el material antes de cortar el resto del bolsillo.

## CONSEJOS PARA EL USO DE SU SIERRA ALTERNATIVA

Si su herramienta eléctrica se calienta demasiado, ajuste la velocidad al máximo y déjela funcionar sin carga durante 2-3 minutos para enfriar el motor.

Siempre asegúrese de que la pieza de trabajo esté firmemente sujetada o fijada para evitar movimientos.

El pie pivotante debe mantenerse firmemente contra el material que se está cortando para reducir la vibración de la sierra, el salto de la hoja y la rotura de la misma.

## MANTENIMIENTO

**Antes de empezar cualquier tarea de ajuste, mantenimiento o reparación, debe extraerse la batería de la herramienta.**

Su herramienta eléctrica no requiere de lubricación ni mantenimiento adicional.

No posee piezas en su interior que deban ser reparadas por el usuario. Nunca emplee agua o productos químicos para limpiar su herramienta. Use simplemente un paño seco. Guarde siempre su herramienta en un lugar seco. Mantenga limpias las ranuras de ventilación del motor. Mantenga todos los controles de funcionamiento libres de polvo. La observación de chispas que destellan bajo las ranuras de ventilación indica un funcionamiento normal que no dañará su herramienta.

### Para las herramientas a batería

El rango de temperatura ambiente de funcionamiento y almacenamiento para la herramienta y la batería es de 0°C-45°C.

El rango de temperatura ambiente recomendado para el Sistema de carga durante el proceso de carga es de 0°C-40°C.

## PROTECCIÓN AMBIENTAL



Los residuos de aparatos eléctricos y electrónicos no deben depositarse en la basura doméstica. Se deben reciclar en las instalaciones especializadas. Consulte a las autoridades locales o el establecimiento para saber cómo reciclar estos productos.

## DECLARACIÓN DE CONFORMIDAD

Los que reciben,  
Positec Germany GmbH  
Postfach 680194, 50704 Cologne, Germany

Declaran que el producto,  
Descripción: **Sierra sable a batería**  
Modelo: **WS2847.9 (28-designación de maquinaria, representantes de Sierra sable)**  
Funciones: **Serrar diferentes materiales**

Cumple con las siguientes Directivas :  
**2006/42/EC, 2014/30/EU, 2011/65/EU & (EU)2015/863**

Cumple las normativas :  
**EN 62841-1, EN 62841-2-11, EN IEC 55014-1, EN IEC 55014-2, EN IEC 63000**

La persona autorizada para componer el archivo técnico,

**Nombre** Marcel Filz  
**Dirección** Positec Germany GmbH  
**Postfach 680194, 50704 Cologne, Germany**



2024/1/19

Allen Ding

Ingeniero Jefe Adjunto. Pruebas y Certificación  
Positec Technology (China) Co., Ltd  
18, Dongwang Road, Suzhou Industrial  
Park, Jiangsu 215123, P. R. China


# СПИСЪК С КОМПОНЕНТИ

1. Острие
2. Основа за въртене на краката
3. Щипка за заключване на острието без нужда от инструменти
4. LED светлина
5. Копче за избор на маятник
6. Бутон за заключване
7. Превключвател за включване/изключване
8. Батериен пакет\*
9. Бутон за освобождаване на батерийния пакет\*
10. Щипка за заключване на острието без нужда от инструменти
11. Бутон за настройка на дълбочината на основата

\* Не всички илюстрирани или описани аксесоари са включени в стандартната доставка.

## ТЕХНИЧЕСКИ ДАННИ

Тип WS2847.9 (28 - обозначение на машината, представител на акумулаторен бутален трион)

Номинално напрежение		18V 
Скорост на празен ход		0-3000/min
Дължина на удара		29mm
Капацитет на рязане	дърво	300mm
	Стомана	12mm
Тегло на машината		2.8 kg

## ИНФОРМАЦИЯ ЗА ШУМА

A-претеглено звуково налягане

A-претеглена звукова мощност

$K_{TA}$  &  $K_{WA}$

**Носете антифони.**

$L_{PA} = 78 \text{ dB(A)}$

$L_{WA} = 86 \text{ dB(A)}$

5 dB(A)

# ИНФОРМАЦИЯ ЗА ВИБРАЦИИТЕ

Обща стойност на вибрациите (триаксиална векторна сума), определена според БДС EN 62841:

Емисионна стойност на вибрациите	Дъски за рязане: $a_{h,B} = 5.48 \text{ m/s}^2$ Рязане на дървени греди: $a_{h,WB} = 5.53 \text{ m/s}^2$ Несигурност $K= 1.5 \text{ m/s}^2$
----------------------------------	---

Декларираната обща стойност на вибрациите и декларираната стойност на емисиите на шум са измерени в съответствие със стандартен метод за измерване и могат да бъдат използвани за сравняване на един инструмент с друг.

Декларираната обща стойност на вибрациите и декларираната емисия на шум може да се използва и за предварителна оценка на експозицията.



**ПРЕДУПРЕЖДЕНИЕ:** Стойността на емисиите на вибрации и шум при реално използване на електроинструмента може да се различава от декларираната стойност в зависимост от начините, по които инструментът се използва, в зависимост от детайла, който се обработва, и в зависимост от следните примери и други варианти за начина на използване на инструмента:

Как се използва инструментът и материалите, които се режат или пробиват.

Добро състояние и правилна поддръжка на инструмента.

Използване на правилните аксесоари за инструмента и поддържането му остър и в добро състояние.

Стегнат захват на ръкохватките и използване на противовибрационни и противощумови аксесоари. Употреба на инструмента според дизайна му и тези инструкции.

**Този инструмент може да предизвика синдром на вибрация „ръка-рамо“, ако употребата му не се управлява адекватно.**



**ПРЕДУПРЕЖДЕНИЕ:** За да бъде точна, оценката на нивото на експозиция в реалните условия на употреба трябва също да вземе предвид всички части от работния цикъл, като например времето, през което инструментът е изключен и когато работи на празен ход без реално да извършва работа. Това може значително да намали нивото на експозиция през общия работен период.

Как да намалите риска от експозиция на вибрации и шум. Винаги използвайте остри длета, свредла и ножове.

Грижете се за инструмента според тези инструкции и го поддържайте смазан (където е приложимо). Ако инструментът ще се използва редовно, инвестирайте в противовибрационни и противощумови аксесоари.

Планирайте работния си график, за да разпределите употребата на високовибрационни инструменти в няколко отделни дни.

## АКСЕСОАРИ

**Метално острие**

**1**

**Дървено острие**

**1**

Препоръчваме ви да закупите аксесоарите си от същия магазин, в който сте продали инструмента. Вижте опаковката на аксесоарите за повече подробности. Персоналът на магазина може да ви помогне и да ви предложи съвет.

# ОРИГИНАЛНИ ИНСТРУКЦИИ ОБЩИ ПРЕДУПРЕЖДЕНИЯ ЗА БЕЗОПАСНОСТ ЗА ЕЛЕКТРОИНСТРУМЕНТИ



**ВНИМАНИЕ:** Прочетете всички предупреждения за безопасност, инструкции, илюстрации и спецификации, предоставени с този електроинструмент. Неспазването на всички посочени инструкции може да доведе до токов удар, пожар и/или сериозно нараняване.

Запазете всички предупреждения и инструкции за бъдеща справка. Терминът „електроинструмент“ в предупрежденията се отнася за вашите електроинструменти, захранвани от мрежата (с кабел) или за електроинструментите, работещи с батерия (без кабел).

## 1) БЕЗОПАСНОСТ НА РАБОТНАТА ЗОНА

- a) **Пазете работната зона чиста и добре осветена.** Разхвърляйте или тъмни зони предизвикват инциденти.
- b) **Не използвайте електроинструменти във взривоопасна атмосфера, например в присъствието на запалими течности, газове или прах.** Електроинструментите произвеждат искри, които могат да запалят прах или изпарения.
- c) **Дръжте деца и странични лица далеч, докато работите с електроинструмент.** Разсейването може да доведе до загуба на контрол.

## 2) ЕЛЕКТРОБЕЗОПАСНОСТ

- a) **Щепселите на електрическия инструмент трябва да съответстват на контакта. Никога не модифицирайте щепсела по никакъв начин. Не използвайте никакви адаптерни щепсели със заземени електроинструменти.** Немодифицираните щепсели и подходящите контакти ще намалят риска от токов удар.
  - b) **Избягвайте контакт на тялото със заземени повърхности, като например тръби, радиатори, печки и хладилници.** Съществува повишен риск от токов удар, ако тялото ви бъде заземено.
  - c) **Не излагайте електроинструментите при дъжд или мокри условия.** Водата, навлизаща в електроинструмента, ще увеличи риска от токов удар.
  - d) **Не повреждайте кабела. Никога не използвайте кабела, за да носите, дърпате или изключвате електроинструмента. Дръжте кабела далеч от топлина, масло,**
- остри ръбове или движещи се части.** Повредените или заплетени кабели повишават риска от токов удар.
- e) **Когато работите с електроинструмент на открито, използвайте удължителен кабел, подходящ за външна употреба.** Употребата на кабел, подходящ за употреба на открито, намалява риска от токов удар.
  - f) **Ако работата с електроинструмент на влажно място е неизбежна, използвайте защитно захранване с дефектнотокова защита (ДТЗ).** Използването на ДТЗ намалява риска от токов удар.
- ## 3) ЛИЧНА БЕЗОПАСНОСТ
- a) **Бъдете нащрек, внимавайте какво правите и използвайте здравия си разум, когато работите с електроинструмент. Не използвайте електроинструмент, когато сте изморени или под влияние на наркотици, алкохол или лекарства.** Момент невнимание при работа с електроинструмент може да доведе до сериозни наранявания.
  - b) **Носете лично защитно оборудване. Винаги носете защита за очите.** Предпазните средства като противопохова маска, предпазни обувки против пързаяне, каска или антифони, използвани за подходящите условия, ще намалят нараняванията.
  - c) **Предотвратяване на неволно стартиране. Уверете се, че превключвателят е в позиция изкл. (off), преди свързване към източник на захранване и/или батериен пакет, вземане или носене на инструмента.** Носенето на електроинструменти с пръст върху превключвателя или включването им при натиснат превключвател може да доведе до злополуки.
  - d) **Извадете всеки регулиращ ключ или гаечен ключ, преди да включите електрическия инструмент. Гаечен ключ или друг ключ, прикрепен към въртяща се част на електроинструмента, може да доведе до наранявания.**
  - e) **Не дръжте инструмента твърде далече. Непрекъснато спазвайте подходящо положение и баланс.** Това спомага за по-доброто управление на електроинструмента в непредвидени ситуации.
  - f) **Носете подходящо облекло. Не носете широки дрехи или бижута. Дръжте косата и дрехите си далеч от движещи се части. Широките дрехи, бижута или дългата коса могат да бъдат захванати от движещите се части.**
  - g) **Ако са осигурени устройства за свързване на уреди за извличане и събиране на прах, уверете се, че те са свързани и се използват правилно.**

- Събирането на прах може да намали опасностите, свързани с праха.*
- h) Не позволявайте познването, придобито от честата употреба на инструменти, да ви позволи да изгубите бдителността си и да игнорирате принципите за безопасност на инструментите.** *Небрежното действие може да причини тежко нараняване в рамките на части от секундата.*
- 4) ИЗПОЛЗВАНЕ И ГРИЖА ЗА ЕЛЕКТРОИНСТРУМЕНТА**
- a) Не претоварвайте електроинструмента.** *Използвайте правилния електроинструмент за вашите нужди. Правилният електроинструмент ще свърши работата по-добре и по-безопасно при скоростта, за която е проектиран.*
- b) Не използвайте електрически инструмент, ако превключвателят не го включва и изключва.** *Всички електроинструменти, които не могат да бъдат управлявани от превключвателя си, са опасни и трябва да бъдат ремонтирани.*
- c) Изключете щепсела от източника на захранване и / или извадете батерийния пакет, ако се разглобява, от електроинструмента, преди да направите каквито и да е настройки, да смените аксесоарите или да съхранявате електроинструментите.** *Подобни предпазни мерки намаляват риска от включване на електроинструмента по невнимание.*
- d) Съхранявайте електроинструментите далеч от досега на деца и не позволявайте на лица, които не са запознати с електроинструмента или тези инструкции, да работят с електроинструмента.** *Електроинструментите са опасни в ръцете на необучени потребители.*
- e) Поддържайте електроинструментите и аксесоарите.** *Проверете за разцентроване или запъване на движещите се части, счупване на частите и други състояния, които могат да повлияят на работата на електроинструмента. При повреда, ремонтирайте инструмента преди употреба. Много злополуки са причинени от лошо поддържани електроинструменти.*
- f) Поддържайте режещите инструменти остри и чисти.** *Правилно поддържаните режещи инструменти с остри режещи ръбове е по-малко вероятно да засичат при работа и са по-лесни за управление.*
- g) Използвайте електроинструмента, аксесоарите и найкрайниците на инструментите и т.н. в съответствие с тези инструкции, като се вземат предвид условията на работа и**
- работата, която трябва да се извърши.** *Употребата на електроинструмента за операции, различни от тези, за които е предназначен, може да доведе до опасни ситуации.*
- h) Пазете ръкохватките и захващащите повърхности сухи, чисти и без следи от масло и смазка.** *Хлъзгавите ръкохватки и захващащи повърхности не позволяват безопасна работа и контрол на инструмента при неочаквани ситуации.*
- 5) ИЗПОЛЗВАНЕ И ГРИЖА ЗА БАТЕРИЯТА**
- a) Зареждайте единствено със зарядно, посочено от производителя.** *Зарядно устройство, което е подходящо за един вид батерияен пакет, може да създаде риск от пожар, когато се използва с друг батерияен пакет.*
- b) Използвайте електроинструментите само с батерийния пакет, проектиран за тях.** *Употребата на всякакви други батерийни пакети може да създаде риск от нараняване и огън.*
- c) Когато батерийният пакет не се използва, го съхранявайте далеч от други металини предмети, като кламери, монети, ключове, гвоздеи, отвертки или други малки метални предмети, които биха могли да направят връзка между двете клемми.** *Свързването на клемите на батерията може да предизвика експлозия или пожар.*
- d) При неправилна експлоатация е възможно от батерията да изтече течност; избягвайте контакт.** *Ако случайно възникне контакт, изплакнете с вода. Ако течността влезе в досег с очите, потърсете допълнителна медицинска помощ. Течността, изтекла от батерията, може да причини дразнене или изгаряния.*
- e) Не използвайте батерияен пакет или инструмент, който е повреден или модифициран.** *Повредените или модифицирани батерии могат да проявят непредвидимо поведение, което да доведе до пожар, експлозия или риск от нараняване.*
- f) Не излагайте батерийния пакет или инструмента на огън или прекомерна температура.** *Изагагането на огън или температура над 130 °C може да причини експлозия.*
- g) Следвайте всички инструкции за зареждане и не зареждайте батерийния пакет или инструмента извън температурния диапазон, посочен в инструкциите.** *Неправилното зареждане или при температури извън посочения диапазон може да повреди батерията и да увеличи риска от пожар. ключове, гвоздеи, отвертки или други малки метални предмети, които биха могли да направят връзка между двете клемми.*

Свързването на клемите на батерията може да предизвика експлозия или пожар.

## 6) ОБСЛУЖВАНЕ

- a) **Вашият електроинструмент трябва да се обслужва от квалифицирано лице, което използва само оригинални резервни части.** Това ще гарантира, че се поддържа безопасността на електроинструмента.
- b) **Никога не обслужвайте повредени батерийни пакети.** Обслужването на батерийните пакети трябва да се извършва само от производителя или оторизирани доставчици на услуги.

# БЕЗОПАСНОСТ ПРИ РАБОТА С БУТАЛЕН ТРИОН ПРЕДУПРЕЖДЕНИЯ

1. **Дръжте буталния трион за изолираните повърхности за захващане, когато извършвате операция, при която режещият аксесоар може да се докосне до скрити кабели или своя собствен кабел.** Режещият аксесоар, който контактува с проводник "под напрежение", може предаде "напрежението" на откритите метални части на електроинструмента и да причини токов удар на оператора.
2. **Използвайте менгеме или друг практичен начин за закрепване и поддържане на заготовката към стабилна платформа.** Придържането на заготовката с ръка или до тялото ви я прави нестабилна и може да доведе до загуба на контрол.

## СИМВОЛИ



За да намалите риска от нараняване, потребителят трябва да прочете ръководството с инструкции



Носете предпазни очила



Носете защита за ушите



Носете противопрахова маска



Внимание



Отпадъчните електрически продукти не трябва да се изхвърлят заедно с битовите отпадъци. Моля, рециклирайте там, където има съоръжения. Обърнете се към местните власти или търговец за съвет относно рециклирането.

## ИНСТРУКЦИИ ЗА РАБОТА



**ЗАБЕЛЕЖКА:** Преди да използвате инструмента, прочетете книжката с инструкциите внимателно.

### ПРЕДНАЗНАЧЕНИЕ

Машината е предназначена за рязане на дървесина, пластмаса, метал и строителни материали, като се опира стабилно на обработвания детайл. Подходяща е за прави и извити срезове.

### ПРЕДИ РАБОТА

#### 1. ОТСТРАНЯВАНЕ ИЛИ ПОСТАВЯНЕ НА БАТЕРИЯ (НЕ СЕ ПРЕДОСТАВЯ) (ВИЖТЕ ФИГ. А1, А2)

За да премахнете батерията, плъзнете я в батерийния порт на инструмента. Просто натискане и леко налягане ще бъдат достатъчни. За да инсталирате батерията, натиснете бутона за освобождаване на батерията и я отстранете от инструмента.

#### 2. МОНТИРАНЕ НА ОСТРИЕТО НА ТРИОНА (ВЖ. ФИГ. В)

Отворете лоста за захващане на острието без инструменти и го задръжте в позиция. След това поставете напълно острието в гнездото за захващане на острието, като зъбите на острието са насочени напред, и освободете лоста за захващане на острието, който ще се затегне над горната част на острието. Опитайте се отново да издърпате грездото за захващане на острието, за да се уверите, че е заключено на място.

За да извадите острието, отворете лоста за закрепване на острието без инструменти и го задръжте в позиция. Извадете острието и освободете лоста за закрепване на острието без инструменти.



**ПРЕДУПРЕЖДЕНИЕ:** Зъбите на острието са много остри. За да постигнете най-добри резултати при рязане, се уверете, че използвате острие, подходящо за материала и качеството на рязане, което ви е необходимо.

### РАБОТА

#### 1. ПРЕДПАЗЕН ПРЕВКЛЮЧВАТЕЛ ЗА ВКЛЮЧВАНЕ/ИЗКЛЮЧВАНЕ (ВЖ. ФИГ. С1)

Бутонът за заключване може да бъде заключен в положение OFF (Изключено).



Това спомага за намаляване на възможността за случайно стартиране, когато уредът не се използва. Натиснете бутона за заключване наляво или надясно, след това включете/изключете и освободете бутона за заключване. Превключвателят ви вече е включен. За да изключите, просто освободете превключвателя за включване/изключване.

**ЗАБЕЛЕЖКА:** LED светлината автоматично ще освети работната зона, когато уредът е включен.

 **Предупреждение: Не гледайте директно към LED светлината!**

## 2. УПРАВЛЕНИЕ НА ПРОМЕНЛИВАТА СКОРОСТ (ВЖ. ФИГ. C2)

Превключвателят за включване/изключване е и превключвател за задействане с променлива скорост. Скоростта на хода на буталото на острието може да се регулира от минимум до максимум чрез натиска, който прилагате върху превключвателя за включване/изключване.

Прилагайте по-голям натиск, за да увеличите скоростта, и отпуснете натиска, за да намалите скоростта.

## 3. ЗОНИ НА ЗАХВАТ НА РЪЦЕТЕ (ВВЖ. ФИГ. D)

Винаги дръжте триона здраво с двете си ръце, когато работите.

## 4. РЕГУЛИРАНЕ НА СЪПЪЛОТО

Регулирайте позицията на съпълото според дължината на острието и дебелината на детайла; винаги се уверявайте, че острието излиза извън детайла по време на целия ход (вж. фиг. E1).

## Регулиране на ъгъла на съпълото (вж. фиг. E2)

Шарнирното съпъло се накланя, за да може възможно най-голяма част от повърхността му да е в контакт с работната повърхност. За да регулирате, дръжте здраво триона и завъртете съпълото в желаната позиция.

## Регулиране на дълбочината на съпълото (вж. фиг. E3)


Ако трябва да намалите капацитета на рязане на инструмента (дълбочината на рязане), шарнирното съпъло може да се регулира по следния начин. Натиснете бутона за регулиране на дълбочината на съпълото от долната страна на предния корпус. Плъзнете въртящото се съпъло в желаната позиция. Освободете бутона за регулиране на дълбочината на шарнирната плоча и проверете дали шарнирната плоча е здраво фиксирана.

## 5. КОПЧЕ ЗА ИЗБОР НА МАХАЛО (ВЖ. ФИГ. F)

Регулирайте скоростта на махалото в зависимост от материала и дебелината на обработвания детайл. Позиция ИЗКП: Фини разрези при тънки детайли; качеството на режещата повърхност е по-предпочитано от скоростта; рязане на метал.

Позиция ВКЛ: Бързо рязане на меки материали (напр. иглолистна дървесина); рязане по посока на влакната на дървото.

## 6. РЯЗАНЕ В РАВНИНА (ВЖ. ФИГ. G)


 **ПРЕДУПРЕЖДЕНИЕ: Процедурата за само за обработване на рязане е подходяща само за обработване на меки материали като дърво, гипсокартон или подобни! Не работете с меки метални материали с процедурата за потапяне на рязане!**

Използвайте само къси ножове за потапяне на рязане.

Поставете пила с ръба на основата на острието върху обработвания детайл и я включете. За електроинструменти с контрол на скоростта на хода, задайте максималната скорост на хода. Натиснете пилата здраво срещу обработвания детайл и оставете острието на пилата да потъне бавно в обработвания детайл.

Веднага след като основата на острието пълноценно се прилепи към повърхността на обработвания детайл, продължете да режете вдълж желаната линия за рязане. За определени работи, острието на пилата може също да се постави завъртяно на 180° и саблевата пила може да се управлява съответно в обратна посока.

## 7. ОТРЕЗВАНЕ ДО РАВНО (ВИЖТЕ ФИГУРА. H)

 **ПРЕДУПРЕЖДЕНИЕ: Внимавайте, че острието на пилата винаги трябва да превишава диаметъра на обработвания материал. Има опасност от отблъскване.**

Възможно е да се правят срезове изключително близо до подове, стени и други трудни зони. Поставете дръжката на ножа в скобата на ножа, като зъбците на ножа са насочени нагоре (противоположно на нормалното работно положение). По този начин разрезите ще се извършват по-близо до работната повърхност. При използване на специални гъвкави остриета поставете острието в скобата на острието със зъбците надолу (нормална работна позиция). Това ще позволи рязане на тръби в една равнина.

## 8. РЯЗАНЕ НА ДЪРВО (ВВЖ. ФИГ. I)

Винаги се уверявайте, че обработвания детайл е здраво притиснат, за да се предотврати движението му. За по-лесно управление използвайте ниска скорост за започване на рязането след което увеличете до правилната скорост.

## 9. РЯЗАНЕ НА МЕТАЛ (ВВЖ. ФИГ. J)

Този трион има различен капацитет за рязане на метал в зависимост от вида на използваното острие и рязания метал.

**ВИНАГИ** притискайте работата, за да предотвратите изплъзването ѝ.

За черни метали използвайте по-фин диск, а за цветни метали - по-груб диск.

При рязане на тънки листови метали **ВИНАГИ** притискайте дърво от двете страни на листа. Това

ще ви осигури чист разрез без излишни вибрации или разкъсване на метала.

**НЕ** насилвайте режещото острие. Принудителното натоварване на острието ще намали живота му и ще доведе до счупване на острието.

**ЗАБЕЛЕЖКА:** Препоръчваме ви да разнесете тънък слой масло или друга охлаждаща течност по линията на рязане пред триона.

Това ще позволи по-лесна работа и ще спомогне за удължаване на живота на острието. При рязане на алуминий използвайте керосин.

## **10. РЕЗАНЕ НА ПЛАСТМАСА / АЛУМИНИЙ (ВИЖТЕ ФИГУРА. К)**

Винаги се уверете, че пластмасата / алуминиевата част е здраво затворена, за да се предотврати движение. За по-лесно управление започнете рязането с ниска скорост, след което увеличете до правилната скорост.

## **11. ДЖОБНО РЯЗАНЕ (Само за меки материали. Не режете с потапяне в метални повърхности) (ВЖ. ФИГ. L)**

Маркирайте джоба или вътрешния отвор, който трябва да се изреже. Поставете специалното режещо острие със зъбите на острието надолу и го затегнете здраво. Наклонете триона така, че задният ръб на предпазителя на острието да опира в работната повърхност. Използвайте бавна скорост за започване на рязането, за да избегнете счупване на острието, но увеличете скоростта до правилната, след като започне рязането. С предпазителя на острието, придържан здраво към работната повърхност, започнете бавно, но контролирано движение на триона нагоре. Острието ще реже в и през материала. Винаги се уверявайте, че острието е преминало изцяло през материала, преди да изрежете останалата част от джоба.

## **РАБОТНИ СЪВЕТИ ЗА ВАШАТА РЕЦИПРОЧНА ПИЛА**

Ако вашият електроинструмент стане прекалено горещ, задайте скоростта на максимум и работете без товар за 2-3 минути, за да охладите мотора. Винаги се уверете, че работният парче е здраво закрепено или стегнато, за да предотвратите движение.

Въртящата се подложка трябва да бъде здраво прилепната към материала, който се реже, за да се намали вибрацията на пилата, скоковете на острието и счупването на острието.

## **ПОДДРЪЖКА**

**Преди да пристъпите към каквото и да било регулиране, обслужване или поддръжка, първо извадете батерийния пакет от инструмента.**

Вашият електроинструмент не се нуждае от допълнително смазване или поддръжка. Вашият електроинструмент не съдържа никакви детайли, които да се обслужват от потребителя. Никога не използвайте вода или химически препарати за почистване на електроинструмента. Почиствайте го със суха кърпа. Винаги съхранявайте вашия електроинструмент на сухо място. Поддържайте вентилационните отвори на двигателя чисти. Поддържайте всички бутони за управление чисти от прах. От време на време може да виждате искри през вентилационните отвори. Това е нормално и няма да повреди вашия електроинструмент.

## **ЗА ИНСТРУМЕНТИ С БАТЕРИИ**

Диапазонът на околната температура за употреба и съхранението на инструмента и батерията е 0 °C-45 °C. Препоръчителният температурен диапазон на околната среда за зареждащата система по време на зареждане е 0 °C-40 °C.

## **ОПАЗВАНЕ НА ОКОЛНАТА СРЕДА**



Излезлите от употреба електрически продукти не бива да бъдат изхвърляни заедно с битовите отпадъци. Моля, рециклирайте, където съществуват съоръжения. Информация за рециклирането можете да получите от местните власти или от съответния търговец на дребно.

# ДЕКЛАРАЦИЯ ЗА СЪОТВЕТСТВИЕ

Ние,  
Positec Germany GmbH  
Postfach 680194, 50704 Cologne, Germany

Декларираме, че продуктът  
Описание: **Безжичен възвратно-  
постъпателен трион**  
Типово обозначение: **WS2847.9**  
**(28-обозначение на машината,  
представител на акумулаторен бутален  
трион)**  
Функция: **Рязане на различни материали**

Отговаря на следните Директиви:  
**2006/42/ЕС, 2014/30/EU, 2011/65/EU &  
(EU)2015/863**

както и на стандартите:  
**EN 62841-1, EN 62841-2-11, EN IEC 55014-1,  
EN IEC 55014-2, EN IEC 63000**

Лице, оторизирано да изготвя техническото досие,  
**Име: Марсел Филц**  
**Адрес: Positec Germany GmbH**  
**Postfach 680194, 50704 Cologne, Germany**



2024/1/19  
Алън динг  
Заместник-главен инженер, отговарящ за тестването  
и сертифицирането  
Positec Technology (Китай) Co., Ltd.  
18, Dongwang Road, Suzhou Industrial Park, Jiangsu  
215123, P. R. China

**WESCO**