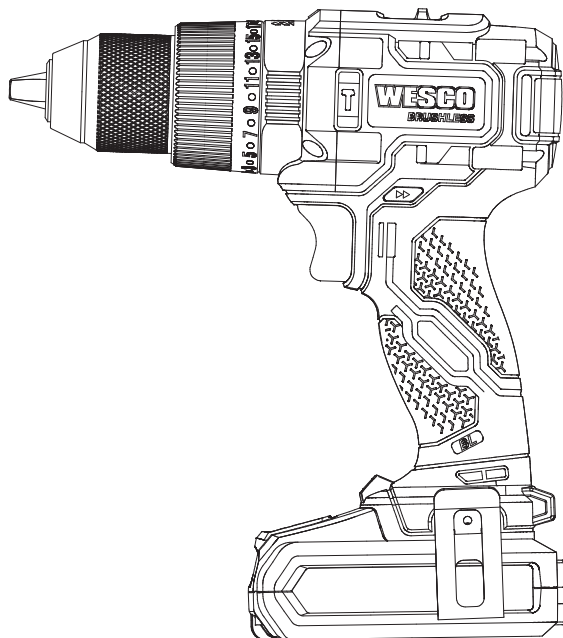


WESCO

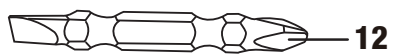
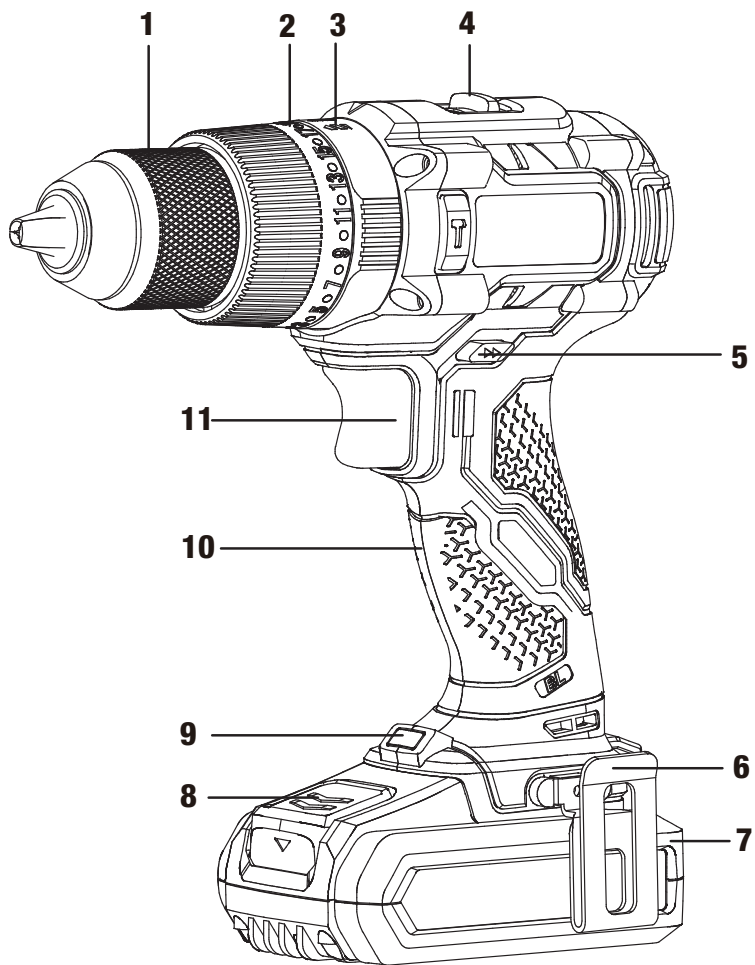


WS2419K2 (CDI218BWD2)

2YEAR
Warranty

• Cordless hammer drill	EN	P06
• Akku-Schlagbohrer	DE	P14
• Perceuse à percussion sans fil	FR	P22
• Trapano a percussione a batteria	IT	P30
• Taladro percutor sin cables	ES	P38
• Акумулаторна бормашина с ударно действие	BG	P46

Original instructions	EN
Originalbetriebsanleitung	DE
Notice originale	FR
Istruzioni originali	IT
Manual original	ES
Оригинални инструкции	BG



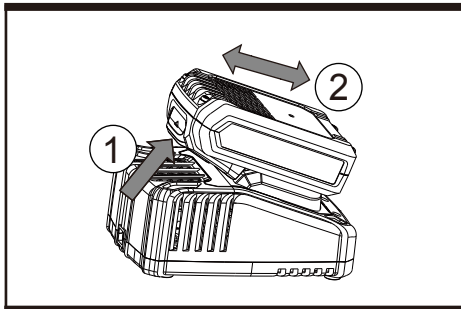


Fig.A1

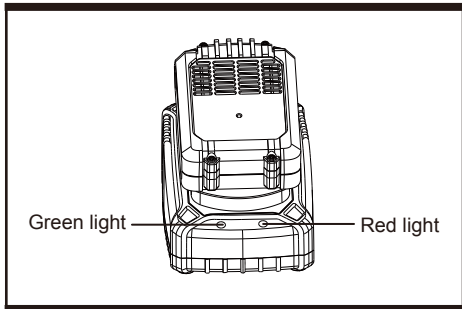


Fig.A2

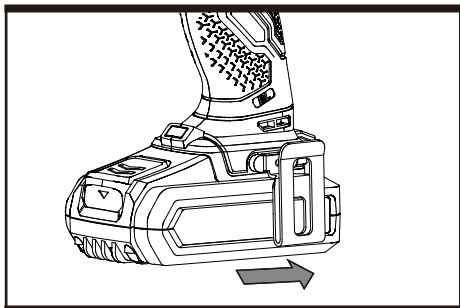


Fig.B

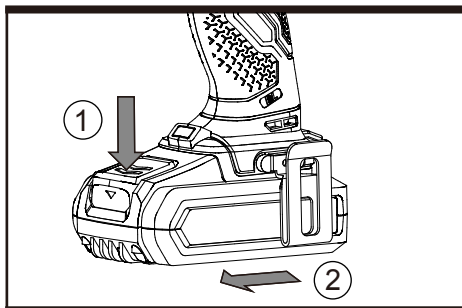


Fig.C

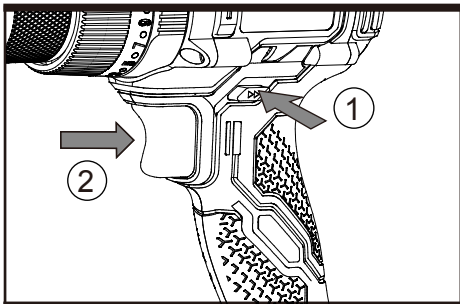


Fig.D

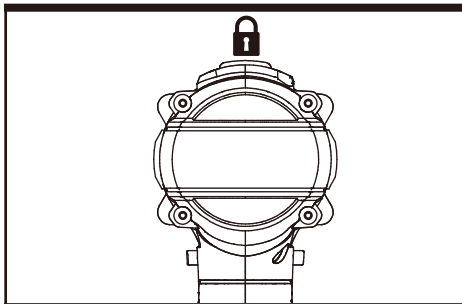


Fig.E

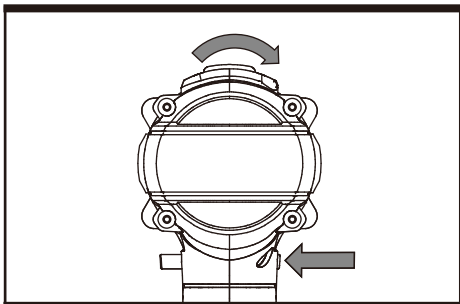


Fig.F1

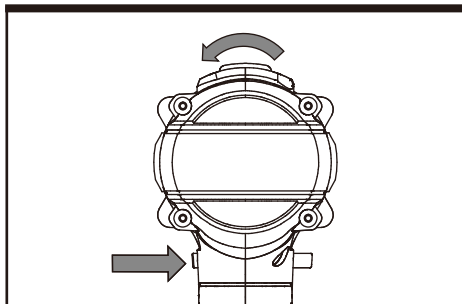


Fig.F2

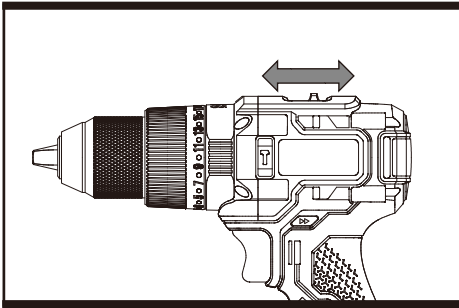


Fig.G

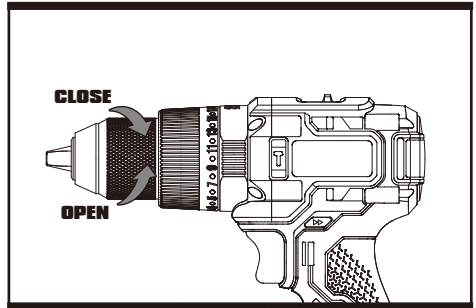


Fig.H

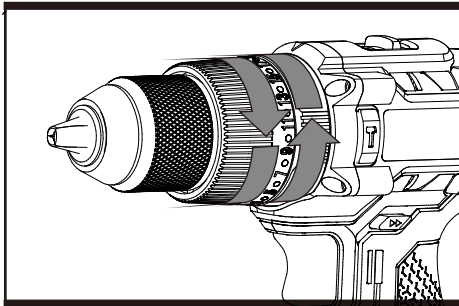


Fig.I1

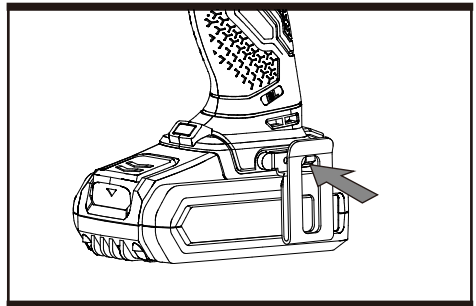


Fig.J

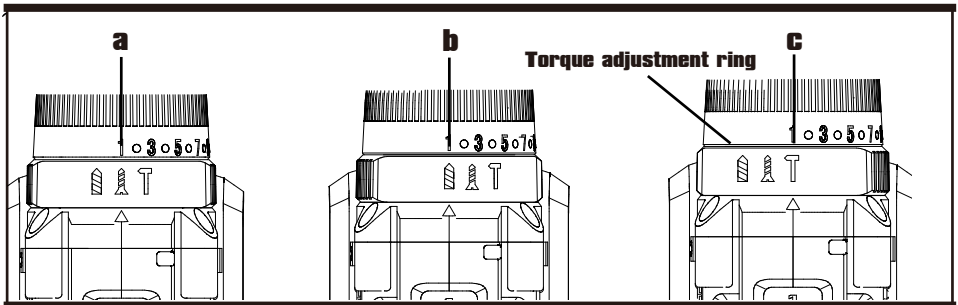





Fig.I2

COMPONENT LIST

1. Keyless chuck
2. Torque adjustment ring
3. Hammer / screw driving / drilling adjustment ring
4. Two-speed gear control
5. Forward/reverse rotation control
6. Belt clip
7. Battery pack
8. Battery pack release button
9. Led light
10. Soft grip handle
11. On/off switch
12. Double ended bits

TECHNICAL DATA

Type WS2419K2 (24-designation of machinery, representative of cordless brushless hammer drill)

Voltage		18V 
No load speed		0-450/2000 /min
Impact rate		0-8550/0-36100bpm
Number of clutch positions		25+1+1
Max torque		60 Nm
Chuck capacity		13mm
Max. drilling capacity	Steel	13mm
	Wood	40mm
	Concrete	16mm
Machine weight (bare tool)		1.14kg
Charger input (WS9969)		100-240V ~ 50/60Hz, 55W
Charger output (WS9969)		20V  2.0A
Charger protection class		 / II
Battery capacity (WS9970)		2.0 Ah
Charging time		1 hr

NOISE INFORMATION

For drill	A weighted sound pressure	$L_{PA} = 74 \text{ dB(A)}$
	A weighted sound power	$L_{WA} = 82 \text{ dB(A)}$
	$K_{PA} & K_{WA}$	5 dB(A)
For impact drill	A weighted sound pressure	$L_{PA} = 95 \text{ dB(A)}$
	A weighted sound power	$L_{WA} = 103 \text{ dB(A)}$
	$K_{PA} & K_{WA}$	5 dB(A)

Wear ear protection.

VIBRATION INFORMATION

Vibration total values (triax vector sum) determined according to EN 62841:

Drilling into metal	Vibration emission value $a_{n,D} = 1.0 \text{ m/s}^2$
	Uncertainty $K = 1.5 \text{ m/s}^2$
Impact drilling into concrete	Vibration emission value $a_{n,10} = 6.2 \text{ m/s}^2$
	Uncertainty $K = 1.5 \text{ m/s}^2$

The declared vibration total value and the declared noise emission value have been measured in accordance with a standard test method and may be used for comparing one tool with another.

The declared vibration total value and the declared noise emission value may also be used in a preliminary assessment of exposure.



WARNING: The vibration and noise emissions during actual use of the power tool can differ from the declared value depending on the ways in which the tool is used especially what kind of workpiece is processed dependant on the following examples and other variations on how the tool is used:

How the tool is used and the materials being cut or drilled.

The tool being in good condition and well maintained.

The use of the correct accessory for the tool and ensuring it is sharp and in good condition.

The tightness of the grip on the handles and if any anti vibration and noise accessories are used.

And the tool is being used as intended by its design and these instructions.

This tool may cause hand-arm vibration syndrome if its use is not adequately managed.



WARNING: To be accurate, an estimation of exposure level in the actual conditions of use should also take account of all parts of the operating cycle such as the times when the tool is switched off and when it is running idle but not actually doing the job. This may significantly reduce the exposure level over the total working period.

Helping to minimise your vibration and noise exposure risk.

Always use sharp chisels, drills and blades.

Maintain this tool in accordance with these instructions and keep well lubricated (where appropriate).

If the tool is to be used regularly then invest in anti vibration and noise accessories.

Plan your work schedule to spread any high vibration tool use across a number of days.

ACCESSORIES

Charger (WS9969)	1
Battery pack (WS9970)	2
Double ended bits (PH2 / SL5.5)	1
Belt clip	1

We recommend that you purchase your accessories from the same store that sold you the tool. Refer to the accessory packaging for further details. Store personnel can assist you and offer advice.

PRODUCT SAFETY

GENERAL POWER TOOL SAFETY WARNINGS



WARNING: Read all safety warnings, instructions, illustrations and specifications provided with this power tool. Failure to follow all instructions listed below may result in electric shock, fire and/or serious injury.

Save all warnings and instructions for future reference.

The term "power tool" in the warnings refers to your mains-operated (corded) power tool or battery-operated (cordless) power tool.

1) WORK AREA SAFETY

- a) **Keep work area clean and well lit.** Cluttered or dark areas invite accidents.
- b) **Do not operate power tools in explosive atmospheres,** such as in the presence of flammable liquids, gases or dust. Power tools create sparks which may ignite the dust or fumes.
- c) **Keep children and bystanders away while operating a power tool.** Distractions can cause you to lose control.

2) ELECTRICAL SAFETY

- a) **Power tool plugs must match the outlet. Never modify the plug in any way.** Do not use any adapter plugs with earthed (grounded) power tools. Unmodified plugs and matching outlets will reduce risk of electric shock.
- b) **Avoid body contact with earthed or grounded surfaces,** such as pipes, radiators, ranges and refrigerators. There is an increased risk of electric shock if your body is earthed or grounded.
- c) **Do not expose power tools to rain or wet conditions.** Water entering a power tool will increase the risk of electric shock.
- d) **Do not abuse the cord. Never use the cord for carrying, pulling or unplugging the power tool.** Keep cord away from heat, oil, sharp edges or moving parts. Damaged or entangled cords increase the risk of electric shock.
- e) **When operating a power tool outdoors, use an extension cord suitable for outdoor use.** Use of a cord suitable for outdoor use reduces the risk of electric shock.
- f) **If operating a power tool in a damp location is unavoidable, use a residual current device (RCD) protected supply.** Use of an RCD reduces the risk of electric shock.

3) PERSONAL SAFETY

- a) **Stay alert, watch what you are doing and use common sense when operating a power tool. Do not use a power tool while you are tired or under the influence of drugs, alcohol or medication.** A moment of inattention while operating power tools may result in serious personal injury.
- b) **Use personal protective equipment. Always wear eye protection.** Protective equipment such as dust mask, non-skid safety shoes, hard hat, or hearing protection used for appropriate conditions will reduce personal injuries.
- c) **Prevent unintentional starting. Ensure the switch is in the off-position before connecting to power source and/or battery pack, picking up or carrying the tool.** Carrying power tools with your finger on the switch or energising power tools that have the switch on invites accidents.
- d) **Remove any adjusting key or wrench before turning the power tool on.** A wrench or a key left attached to a rotating

part of the power tool may result in personal injury.

- e) **Do not overreach. Keep proper footing and balance at all times.** This enables better control of the power tool in unexpected situations.
 - f) **Dress properly. Do not wear loose clothing or jewellery. Keep your hair and clothing away from moving parts.** Loose clothes, jewellery or long hair can be caught in moving parts.
 - g) **If devices are provided for the connection of dust extraction and collection facilities, ensure these are connected and properly used.** Use of dust collection can reduce dust-related hazards.
 - h) **Do not let familiarity gained from frequent use of tools allow you to become complacent and ignore tool safety principles.** A careless action can cause severe injury within a fraction of a second.
- ### 4) POWER TOOL USE AND CARE
- a) **Do not force the power tool. Use the correct power tool for your application.** The correct power tool will do the job better and safer at the rate for which it was designed.
 - b) **Do not use the power tool if the switch does not turn it on and off.** Any power tool that cannot be controlled with the switch is dangerous and must be repaired.
 - c) **Disconnect the plug from the power source and/or remove the battery pack, if detachable, from the power tool before making any adjustments, changing accessories, or storing power tools.** Such preventive safety measures reduce the risk of starting the power tool accidentally.
 - d) **Store idle power tools out of the reach of children and do not allow persons unfamiliar with the power tool or these instructions to operate the power tool.** Power tools are dangerous in the hands of untrained users.
 - e) **Maintain power tools and accessories. Check for misalignment or binding of moving parts, breakage of parts and any other condition that may affect the power tool's operation.** If damaged, have the power tool repaired before use. Many accidents are caused by poorly maintained power tools.
 - f) **Keep cutting tools sharp and clean.** Properly maintained cutting tools with sharp cutting edges are less likely to bind and are easier to control.
 - g) **Use the power tool, accessories and tool bits etc. in accordance with these instructions, taking into account the working conditions and the work to be performed.** Use of the power tool for operations different from those intended could result in a hazardous situation.
 - h) **Keep handles and grasping surfaces dry, clean and free from oil and grease.** Slippery handles and grasping surfaces do not allow for safe handling and control of the tool in unexpected situations.
- ### 5) BATTERY TOOL USE AND CARE
- a) **Recharge only with the charger specified by the manufacturer.** A charger that is suitable for one type of battery pack may create a risk of fire when used with another battery pack.
 - b) **Use power tools only with specifically designated battery packs.** Use of any other battery packs may create a risk of injury and fire.
 - c) **When battery pack is not in use, keep it away from other metal objects, like paper clips, coins, keys, nails, screws or other small metal objects, that can make a connection**

from one terminal to another. Shorting the battery terminals together may cause burns or a fire.

- d) **Under abusive conditions, liquid may be ejected from the battery; avoid contact. If contact accidentally occurs, flush with water. If liquid contacts eyes, additionally seek medical help. Liquid ejected from the battery may cause irritation or burns.**
- e) **Do not use a battery pack or tool that is damaged or modified. Damaged or modified batteries may exhibit unpredictable behaviour resulting in fire, explosion or risk of injury.**
- f) **Do not expose a battery pack or tool to fire or excessive temperature. Exposure to fire or temperature above 130 °C may cause explosion.**
- g) **Follow all charging instructions and do not charge the battery pack or tool outside the temperature range specified in the instructions. Charging improperly or at temperatures outside the specified range may damage the battery and increase the risk of fire.**
- 6) **SERVICE**
 - a) **Have your power tool serviced by a qualified repair person using only identical replacement parts. This will ensure that the safety of the power tool is maintained.**
 - b) **Never service damaged battery packs. Service of battery packs should only be performed by the manufacturer or authorized service providers.**

DRILL SAFETY WARNINGS

- 1) **SAFETY INSTRUCTIONS FOR ALL OPERATIONS**
 - a) **Wear ear protectors when impact drilling. Exposure to noise can cause hearing loss.**
 - b) **Hold the power tool by insulated gripping surfaces, when performing an operation where the cutting accessory or fasteners may contact hidden wiring. Cutting accessory or fasteners contacting a "live" wire may make exposed metal parts of the power tool "live" and could give the operator an electric shock.**
- 2) **SAFETY INSTRUCTIONS WHEN USING LONG DRILL BITS**
 - a) **Never operate at higher speed than the maximum speed rating of the drill bit. At higher speeds, the bit is likely to bend if allowed to rotate freely without contacting the workpiece, resulting in personal injury.**
 - b) **Always start drilling at low speed and with the bit tip in contact with the workpiece. At higher speeds, the bit is likely to bend if allowed to rotate freely without contacting the workpiece, resulting in personal injury.**
 - c) **Apply pressure only in direct line with the bit and do not apply excessive pressure. Bits can bend causing breakage or loss of control, resulting in personal injury.**

SAFETY WARNINGS FOR BATTERY PACK

- a) **Do not dismantle, open or shred cells or battery pack.**
- b) **Do not short-circuit a battery pack. Do not store battery packs haphazardly in a box or drawer where they may short-circuit each other or be short-circuited by conductive materials. When battery pack is not in use, keep it away**

from other metal objects, like paper clips, coins, keys, nails, screws or other small metal objects, that can make a connection from one terminal to another. Shorting the battery terminals together may cause burns or a fire.

- c) **Do not expose battery pack to heat or fire. Avoid storage in direct sunlight.**
- d) **Do not subject battery pack to mechanical shock.**
- e) **In the event of battery leaking, do not allow the liquid to come into contact with the skin or eyes. If contact has been made, wash the affected area with copious amounts of water and seek medical advice.**
- f) **Keep battery pack clean and dry.**
- g) **Wipe the battery pack terminals with a clean dry cloth if they become dirty.**
- h) **Battery pack needs to be charged before use. Always refer to this instruction and use the correct charging procedure.**
- i) **Do not maintain battery pack on charge when not in use.**
- j) **After extended periods of storage, it may be necessary to charge and discharge the battery pack several times to obtain maximum performance.**
- k) **Recharge only with the charger specified by WESCO. Do not use any charger other than that specifically provided for use with the equipment.**
- l) **Do not use any battery pack which is not designed for use with the equipment.**
- m) **Keep battery pack out of the reach of children.**
- n) **Retain the original product literature for future reference.**
- o) **Remove the battery from the equipment when not in use.**
- p) **Dispose of properly.**
- q) **Do not mix cells of different manufacture, capacity, size or type within a device.**
- r) **Keep the battery away from microwaves and high pressure.**
- s) **Warning! Do not use non-rechargeable batteries.**

GENERAL SAFETY WARNINGS FOR CHARGER



WARNING: Read all safety warnings and all instructions. Failure to follow the warnings and instructions may result in electric shock, fire and/or serious injury.

Save all warnings and instructions for future reference.

This appliance can be used by children aged from 8 years and above and persons with reduced physical, sensory or mental capabilities or lack of experience and knowledge if they have been given supervision or instruction concerning use of the appliance in a safe way and understand the hazards involved. Children shall not play with the appliance. Cleaning and user maintenance shall not be made by children without supervision.

If the supply cord is damaged, it must be replaced by the manufacturer, its service agent or similarly qualified persons in order to avoid a hazard.

ADDITIONAL SAFETY INSTRUCTIONS FOR YOUR BATTERY CHARGER

- 1. Before charging, read the instructions.
- 2. Do not charge a leaking battery.
- 3. Do not use chargers for works other than those for which they are designed.
- 4. Before charging, ensure your charger is matching the local AC supply.

5. For indoor use, or do not expose to rain.
6. The charging device must be protected from moisture.
7. Do not use the charging device in the open.
8. Do not short out the contacts of battery or charger.
9. Respect the polarity "+/-" when charging.
10. Do not open the unit and keep out of the reach of children.
11. Do not charge the batteries of other manufactures or ill-suited models.
12. Ensure that the connection between the battery charger and battery is correctly positioned.
13. Keep battery charger's slots are free of foreign objects and protect against dirt and humidity. Store in a dry and frost-free place.
14. When charging batteries, ensure that the battery charger is in a well-ventilated area and away from inflammable materials. Batteries can get hot during charging. Do not overcharge any batteries. Ensure that batteries and chargers are not left unsupervised during charging.
15. Do not recharge non-rechargeable batteries, as they can overheat and break.
16. Longer life and better performance can be obtained if the battery pack is charged when the air temperature is between 18°C and 24°C. Do not charge the battery pack in air temperatures below 0°C, or above 40°C. This is important as it can prevent serious damage to the battery pack.
17. Charge only battery pack of the same model provided by WESCO and of models recommended by WESCO.



Positive terminal



Negative terminal



Li-Ion battery This product has been marked with a symbol relating to 'separate collection' for all battery packs and battery pack. It will then be recycled or dismantled in order to reduce the impact on the environment. Battery packs can be hazardous for the environment and for human health since they contain hazardous substances.



Waste electrical products must not be disposed of with household waste. Please recycle where facilities exist. Check with your local authorities or retailer for recycling advice.



Double insulation (Charger)



Fuse

SYMBOLS



To reduce the risk of injury, user must read instruction manual



Warning



Wear ear protection



Wear eye protection



Wear dust mask



Indoor use only (Charger)



Read the operator's manual.



Batteries may enter water cycle if disposed improperly, which can be hazardous for ecosystem. Do not dispose of waste batteries as unsorted municipal waste.



Do not burn

OPERATING INSTRUCTIONS



NOTE: Before using the tool, read the instruction book carefully.

INTENDED USE

The machine is intended for driving in and loosening screws as well as for drilling in wood, metal, plastic, masonry and concrete.

BEFORE OPERATION

1. CHARGING THE BATTERY PACK (SEE FIG. A1, A2)

- a) Do not use any charger other than that specifically provided for use with the equipment.
- b) If the battery pack is very hot you must remove your battery pack from the charger and allow time for the battery to cool down before recharging.
- c) The battery in your new tool is not charged when it leaves the plant. Therefore it must be full charged before using the first time.
- d) Please charge the battery to reach full or no less than half charge before storage. If the tool will not be used for long periods of time, charge the battery every 3-6 months.

REMOVING OR INSTALLING BATTERY PACK ON THE CHARGER

Slide the battery pack into charger's battery port. A simple push and light pressure will be sufficient. Depress the battery pack release button firmly first and then slide the battery pack out from the charger.





CHARGING PROCEDURE


- 1) Plug the charger into an appropriate outlet. The light will be green.

- 2) Slide the battery pack into the charger, the light will turn to red to indicate the charging process has started.
- 3) When charging is completed, the light will turn to green. The pack is now fully charged, unplug the charger and remove the battery pack.

CHARGING INDICATOR

This charger is designed to detect some problems that can arise with battery packs. Indicator lights indicate problems (see table below). If this occurs, insert a new battery pack to determine if the charger is OK. If the new battery charges correctly, then the original pack is defective and should be returned to a service center or recycling service center. If the new battery pack displays the same problem as the original Battery Pack, have the charger tested at an authorized service center.

Light	Status
Red on  	Charging
Green on  	Fully Charged

 **WARNING: When battery charge runs out after continuously use or exposure to direct sunlight or heat, allow time for the tool to cool down before re-charging to achieve the full charge.**


2. REMOVE OR INSERT BATTERY PACK (SEE FIG. B,C)

Press the battery pack release button and remove the battery pack from the tool. After recharge slide the battery pack into tool's battery port. A simple push and slight pressure will be sufficient.

OPERATION

1. ON / OFF SWITCH (SEE FIG. D)

Depress the On/Off switch to start and release it to stop your drill. The on/off switch is fitted with a brake function which stops your chuck immediately when you quickly release the switch. It is also a variable speed switch that delivers higher speed and torque with increased trigger pressure. Speed is controlled by the amount of switch trigger depression.

 **WARNING: Do not operate for long periods at low speed because excess heat will be produced internally. When overload occurs, release the On/Off switch immediately to avoid the motor overheating.**


2. SWITCH LOCK (SEE FIG. E)

The switch trigger can be locked in the OFF position. This helps to reduce the possibility of accidental starting when not in use. To lock the switch trigger, push the rotation control in the center position.

3. FORWARD AND REVERSE ROTATION CONTROL (SEE FIG. F1, F2)

Forward rotating: push the forward/reverse rotation control to the left (the drill points away from you). It is used for drilling and screw driving.

Reverse rotation: push the forward/reverse rotation control to the right (the drill points away from you). It is used for remove screws or release a jammed drill bit.

 **WARNING: Never change the direction of rotation when the chuck is rotating, wait until it has stopped!**

4. TWO-SPEED GEAR CONTROL (SEE FIG. G)

The drill has a two-speed gear control designed for drilling or driving


at LO (mark is 1) or HI (mark is 2) speeds. A slide switch is located on top of the drill to select either LO or HI speed. When using the drill in the LO speed range, the speed will decrease and the drill will have greater power and torque. When using the drill in the HI speed range, the speed will increase and the drill will have less power and torque.

Gear I

Low speed range: for screwdriving or working with large drilling diameter.

Gear II

High speed range: for working with small drilling diameter.

 **WARNING: To prevent gear damage, always allow the chuck to come to a complete stop before changing the direction of rotation or the two-speed gear control. When overload occurs frequently on the high speed gear, switch to the low speed gear to avoid the motor overheating.**

5. CHUCK ADJUSTMENT (SEE FIG. H)

To open the chuck jaws rotate the front section of the chuck. Insert the drill bit between the chuck jaws and rotate the front section in the opposite direction. Ensure the drill bit is in the center of the chuck jaws. Finally, firmly rotate the front chuck section in the opposite directions. Your drill bit is now clamped in the chuck.

6. TORQUE ADJUSTMENT (SEE FIG. I1-I2)

The torque is adjusted by rotating the torque adjustment ring. The torque is greater when the torque adjustment ring is set on a higher setting. The torque is less when the torque adjustment ring is set on a lower setting (See Fig. I1).

a. For the screwdriving function

To select the screwdriving function, rotate the function selection collar so to align the screw symbol with the triangular indicator on the top of the drill housing (See Fig. I2-a).

To adjust the torque setting, rotate the torque adjustment ring to align the required torque setting number with the triangular indicator on the top of the drill. The higher the number, the higher the output torque.

b. For the drilling function

NOTE: When using the drilling function the torque control has no effect to the output of the drill.

To select the drilling function, rotate the function selection collar so the symbol of the drill bit aligns with the triangular indicator on the top of the drill housing (See Fig. I2-b).


The drilling function is used to drill holes in metal, non ferrous material, wood, plastic and similar materials.



c. For the hammer function

NOTE: When using the hammer drilling function, the torque control has no effect to the output of the drill.

To select the hammer function, rotate the function selection collar so the symbol of the hammer function aligns with the triangular indicator on the top of the drill housing (See Fig. I2-c).

Make the setting as follows:

	1 - 5 for driving small screws
	6 - 11 for driving screws into soft material
	12 - 16 for driving screws into soft and hard material
	17 - 22 for driving screws into hard wood
	23 - 25 for driving larger screws

	for heavy drilling
	for drilling in masonry and concrete

7. USING THE LED LIGHT

To turn on the light simply press the on/off switch. When you release the on/off switch, the light will be off. LED lighting increases visibility-great for dark or enclosed area. LED is also a battery capacity indicator. It will flash when power gets low.

8. USING BELT CLIP (SEE FIG. J)

Screw the Belt clip on the tool with the screw. The Belt clip can be hooked on your belt or pocket, etc.

9. BATTERY CAPACITY INDICATOR

Your tool is equipped with battery capacity indicator. Press the on/off switch halfway or fully, the battery capacity indicator will light up to show the amount of charge left in the battery.

Fuel Gauge	Capacity
3 lights	> 70%
2 lights	40%~70%
1 light	< 40%

10. DRILLING

When drilling into a hard smooth surface, use a center punch to mark the desired hole location. This will prevent the drill bit from slipping off center as the hole is started. Hold the tool firmly and place the tip of the bit at the point to be drilled. Depress the switch trigger to start the tool. Move the drill bit into the workpiece, applying only enough pressure to keep the bit cutting. Do not force or apply side pressure to elongate a hole.

WARNING: Tungsten carbide drill bits should always be used for concrete and masonry. When drilling in metal, only use HSS drill bits in good condition. Always use a magnetic bit holder (not included) when using short screwdriver bits. When screw-driving, apply a small quantity of liquid soap or similar to the screw threads to ease insertion.

11. OVERLOAD PROTECTION

When overloaded, the motor comes to a stop. Relieve the load on the machine immediately and allow cooling for approx. 30 seconds at the highest no-load speed.

12. TEMPERATURE DEPENDENT OVERLOAD PROTECTION

When using as intended for the power tool cannot be subject to overload. When the load is too high or the allowable battery temperature of 75°C is exceeded, the electronic control switches off the power tool until the temperature is in the optimum temperature range again.

13. PROTECTION AGAINST DEEP DISCHARGING

The Li-ion battery is protected against deep discharging by the "Discharging Protection System". When the battery is empty, the machine is switched off by means of a protective circuit: The inserted tool no longer rotates.

PROBLEM SOLUTION

1. WHY DOES THE DRILL NOT TURN ON WHEN YOU PRESS THE

SWITCH?

The forward/reverse rotation control, which is on top of the trigger, is positioned in the lock function. Unlock the forward/reverse rotation control by putting it into the required rotation position. Push the trigger and the drill will start to rotate.

2. THE DRILL STOPS BEFORE THE SCREW IS COMPLETELY TIGHTENED. WHY?

Verify the torque position of the torque adjusting ring, you can find the torque-adjusting ring between the chuck and the drill body. Position 1 is the lowest torque (screw driving force) and position 25 is the highest torque (screw driving force). Position 25 is for drill operation. Position 1 is for hammer drill operation. Regulate the torque adjusting ring to a higher position to reach the best result.

3. REASONS FOR DIFFERENT BATTERY PACK WORKING TIMES

Charging time problems and having not used a battery pack for a prolonged time will reduce the battery pack working time. This can be corrected after several charge and discharge operations by charging & working with your drill. Heavy working conditions such as large screws into hard wood will use up the battery pack energy faster than lighter working conditions. Do not re-charge your battery pack below 0°C and above 40°C as this will affect performance.

MAINTENANCE

Remove the battery pack from the tool before carrying out any adjustment, servicing or maintenance.

Your tool requires no additional lubrication or maintenance. There are no user serviceable parts in your power tool. Never use water or chemical cleaners to clean your power tool. Wipe clean with a dry cloth. Always store your power tool in a dry place. Keep the motor ventilation slots clean. Keep all working controls free of dust. Occasionally you may see sparks through the ventilation slots. This is normal and will not damage your power tool.

For Battery tools

The ambient temperature range for the use and storage of tool and battery is 0°C-45°C.

The recommended ambient temperature range for the charging system during charging is 0°C-40°C.

ENVIRONMENTAL PROTECTION



Waste electrical products must not be disposed of with household waste. Please recycle where facilities exist.

Check with your local authorities or retailer for recycling advice.

PLUG REPLACEMENT (ONLY FOR REWIRABLE PLUG OF UK & IRELAND)

If you need to replace the fitted plug then follow the instructions below.

IMPORTANT

The wires in the mains lead are colored in accordance with the following code:

Blue = Neutral

Brown = Live

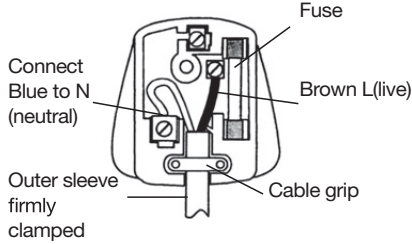
As the colors of the wires in the mains lead of this appliance may not correspond with the colored markings identifying the

terminals in your plug, proceed as follows. The wire which is colored blue must be connected to the terminal which is marked with N. The wire which is colored brown must be connected to the terminal which is marked with L.

WARNING!

Never connect live or neutral wires to the earth terminal of the plug. Only fit an approved BS1363/A plug and the correct rated current fuse which is used in the plug.

Note: If a moulded plug is fitted and has to be removed take great care in disposing of the plug and severed cable, it must be destroyed to prevent engaging into a socket.



DECLARATION OF CONFORMITY

We,
POSITEC Germany GmbH
Postfach 32 02 16, 50796 Cologne, Germany

Declare that the product
Description **Battery-powered Drill**
Type **WS2419K2 (24-designation of machinery, representative of cordless impact drill)**
Function **Drilling**

Complies with the following Directives:
2006/42/EC
2011/65/EU & (EU)2015/863,
2014/30/EU
2014/35/EU
2006/66/EC & 2013/56/EU

Standards conform to
EN 62841-1
EN 62841-2-1
EN 55014-1
EN 55014-2
EN 60335-1
EN 60335-2-29
EN 62233
EN IEC 61000-3-2
EN 61000-3-3
EN 62133-2

The person authorized to compile the technical file,
Name **Marcel Filz**
Address **POSITEC Germany GmbH**
Postfach 32 02 16, 50796 Cologne, Germany

A handwritten signature of Marcel Filz is shown next to a large, stylized CE mark.

2023/04/04
Allen Ding
Deputy Chief Engineer, Testing & Certification
Positec Technology (China) Co., Ltd
18, Dongwang Road, Suzhou Industrial
Park, Jiangsu 215123, P. R. China

DECLARATION OF CONFORMITY(UK)

We,
Positec Power Tools (Europe) Ltd,
PO Box 6242, Newbury, RG14 9LT, UK

On behalf of Positec declare that the product
Description **Battery-powered Drill**
Type designation **WS2419K2 (24-designation of machinery, representative of cordless impact drill)**
Function **Drilling**

Complies with the following regulations:
Electrical Equipment (Safety) Regulations 2016
Electromagnetic Compatibility Regulations 2016
The Restriction of the Use of Certain Hazardous Substances in Electrical and Electronic Equipment Regulations
The Batteries and Accumulators (Placing on the Market) Regulations 2008 (as amended) and the Waste Batteries and Accumulators Regulations 2009 (as amended)
The Restriction of the Use of Certain Hazardous Substances in Electrical and Electronic Equipment Regulations 2012

Standards conform to
BS EN 62841-1
BS EN 62841-2-1
BS EN 55014-1
BS EN 55014-2
BS EN 60335-1
BS EN 60335-2-29
BS EN 62233
BS EN IEC 61000-3-2
BS EN 61000-3-3
BS EN 62133-2

The person authorized to compile the technical file,
Name **Jim Kirkwood**
Address **Positec Power Tools (Europe) Ltd,**
PO Box 6242, Newbury, RG14 9LT, UK

A handwritten signature of Jim Kirkwood is shown next to a large, stylized UKCA mark.




2023/04/04
Allen Ding
Deputy Chief Engineer, Testing & Certification
Positec Technology (China) Co., Ltd
18, Dongwang Road, Suzhou Industrial
Park, Jiangsu 215123, P. R. China

KOMPONENTEN

1. Schnellspannbohrfutter
2. Drehmomenteinstellung
3. Einstellring für Hammer / Schrauben / Bohren
4. Gangschaltung mit zwei Geschwindigkeiten
5. Steuerung der Vorwärts-/Rückwärtsdrehung
6. Gürtelclip
7. Akkupack
8. Akku-Entriegelungstaste
9. LED-Licht
10. Softgrip-Griff
11. Ein-/Ausschalter
12. Doppelseitige Bits

TECHNISCHE DATEN

Typ WS2419K2 (24-Maschinenbezeichnung, repräsentativ für kabellose bürstenlose Bohrhammer)

Stromspannung		18V 
Leerlaufdrehzahl		0-450/2000 /min
Schlagzahl		0-8550/0-36100bpm
Anzahl der Kupplungsstellungen		25+1+1
maximaler Drehmoment		60 Nm
Futterkapazität		13mm
Max. Bohrleistung	Stahl	13mm
	Holz	40mm
	Beton	16mm
Maschinengewicht (blankes Werkzeug)		1.14kg
Ladeeingang (WS9969)		100-240V ~ 50/60Hz, 55W
Ladeausgang (WS9969)		20V  2.0A
Ladegerät Schutzklasse		 / II
Batteriekapazität (WS9970)		2.0 Ah
Ladezeit		1 hr

INFORMATIONEN ÜBER LÄRM

Für Bohrer	Ein gewichteter Schalldruck	$L_{PA} = 74 \text{ dB(A)}$
	Eine gewichtete Schalleistung	$L_{WA} = 82 \text{ dB(A)}$
	$K_{PA} & K_{WA}$	5 dB(A)
Für Schlagbohrmaschine	Ein gewichteter Schalldruck	$L_{PA} = 95 \text{ dB(A)}$
	Eine gewichtete Schalleistung	$L_{WA} = 103 \text{ dB(A)}$
	$K_{PA} & K_{WA}$	5 dB(A)

Tragen Sie einen Gehörschutz.

INFORMATIONEN ÜBER VIBRATIONEN

Vibrations Gesamt Messwertermittlung gemäß EN 62841:

Bohren in Metall	Vibrationsemissionswert $a_{h,D} = 1.0 \text{ m/s}^2$
	Unsicherheit $K = 1.5 \text{ m/s}^2$
Schlagbohren in Beton	Vibrationsemissionswert $a_{h,D} = 6.2 \text{ m/s}^2$
	Unsicherheit $K = 1.5 \text{ m/s}^2$

Der angegebene Vibrationsgesamtwert kann und der angegebene Vibrationsemissionswert wurden gemäß Standardprüfverfahren gemessen und können zum Vergleichen eines Werkzeug mit einem anderen verwendet werden.

Der angegebene Vibrationsgesamtwert und der angegebene Vibrationsemissionswert können auch für eine anfängliche Beurteilung der Beeinträchtigung verwendet werden.



WARNUNG: Die Vibrations- und Lärmemissionen bei der eigentlichen Nutzung des Elektrowerkzeugs können vom angegebenen Wert abweichen, je nachdem, wie das Werkzeug verwendet wird und insbesondere abhängig davon, welcher Werkstücktyp verarbeitet wird, und abhängig von folgenden Beispielen und verschiedenen Einsatzmöglichkeiten des Werkzeugs:

Wie das Werkzeug verwendet wird und Materialien geschnitten oder angebohrt werden.

Das Werkzeug ist in gutem Zustand und gut gepflegt.

Verwendung des richtigen Zubehörs für das Werkzeug und Gewährleistung seiner Schärfe und seines guten Zustands.

Die Festigkeit des Griffs auf den Handgriffen und, falls Antivibrations- und Lärmschutzzubehör verwendet wird.

Und ob das verwendete Werkzeug dem Design und diesen Anweisungen entsprechend verwendet wird.

Wird dieses Werkzeug nicht angemessen gehandhabt, kann es ein Hand-Arm-Vibrationssyndrom erzeugen.



WARNUNG: Um genau zu sein, sollte ein Abschätzung des Belastungsgrades aller Arbeitsabschnitte während tatsächlicher Verwendung berücksichtigt werden, z.B. die Zeiten, wenn das Werkzeug ausgeschaltet ist, und wenn es sich im Leerlauf befindet und eigentlich nicht eingesetzt wird. Auf diese Weise kann der Belastungsgrad während der gesamten Arbeitszeit wesentlich gemindert werden. Hilft dabei, das Risiko der Vibrations- und Lärmbelastung zu minimieren.

Verwenden Sie **IMMER** scharfe Meissel, Bohrer und Sägeblätter.

Pflegen Sie dieses Werkzeug diesen Anweisungen entsprechend und achten Sie auf eine gute Einfettung (wo erforderlich).

Falls das Werkzeug regelmäßig verwendet werden soll, investieren Sie in Antivibrations- und Lärmschutzzubehör.

Machen Sie einen Arbeitsplan, um die Verwendung von hochvibrierenden Werkzeugen auf mehrere Tage zu verteilen.

ZUBEHÖRTEILE

Ladegerät (WS9969)	1
Akkupack (WS9970)	2
Zweiseitige Bits (PH2 / SL5.5)	1
Gürtelschnalle	1

Wir empfehlen Ihnen, sämtliche Zubehörteile beim selben Fachhändler zu beziehen, bei dem Sie auch Ihr Elektrowerkzeug gekauft haben. Weitere Informationen finden Sie auf der Verpackung der Zubehörteile. Auch Ihr Fachhändler berät Sie gerne.

PRODUKTSICHERHEIT

ALLGEMEINE SICHERHEITSHINWEISE FÜR ELEKTROWERKZEUGE



WARNUNG! Machen Sie sich mit allen Sicherheitswarnungen, Anweisungen, Abbildungen und Spezifikationen vertraut, die mit diesem Elektrowerkzeug geliefert werden. Die Nichtbeachtung der unten aufgeführten Anweisungen kann in elektrischen Schlägen, Feuer und/oder schweren Verletzungen resultieren.

Bewahren Sie alle Sicherheitshinweise und Anweisungen für die Zukunft auf.

Der in den Sicherheitshinweisen verwendete Begriff „Elektrowerkzeug“ bezieht sich auf akkubetriebene Elektrowerkzeuge (ohne Netzkaabel).

1) Arbeitsplatzsicherheit

- a) Halten Sie Ihren Arbeitsbereich sauber und gut beleuchtet. Unordnung oder unbeleuchtete Arbeitsbereiche können zu Unfällen führen.
- b) Arbeiten Sie mit dem Elektrowerkzeug nicht in explosionsgefährdeter Umgebung, in der sich brennbare Flüssigkeiten, Gase oder Stäube befinden. Elektrowerkzeuge erzeugen Funken, die den Staub oder die Dämpfe entzünden können.
- c) Halten Sie Kinder und andere Personen während der Benutzung des Elektrowerkzeugs fern. Bei Ablenkung können Sie die Kontrolle über das Gerät verlieren.

2) Elektrische Sicherheit

- a) Der Anschlussstecker des Elektrowerkzeuges muss in die Steckdose passen. Der Stecker darf in keiner Weise verändert werden. Verwenden Sie keine Adapterstecker gemeinsam mit schutzgeerdeten Elektrowerkzeugen. Unveränderte Stecker und passende Steckdosen verringern das Risiko eines elektrischen Schlag.
- b) Vermeiden Sie Körperkontakt mit geerdeten Oberflächen wie von Rohren, Heizungen, Herden und Kühlschränken. Es besteht ein erhöhtes Risiko durch elektrischen Schlag, wenn Ihr Körper geerdet ist.
- c) Halten Sie Elektrowerkzeuge von Regen oder Nässe fern. Das Eindringen von Wasser in ein Elektrowerkzeug erhöht das Risiko eines elektrischen Schlag.
- d) Zweckentfremden Sie das Kabel nicht, um das Elektrowerkzeug zu tragen, aufzuhängen oder um den Stecker aus der Steckdose zu ziehen. Halten Sie das Kabel fern von Hitze, Öl, scharfen Kanten oder sich bewegendem Geräteteilen. Beschädigte oder verwickelte Kabel erhöhen das Risiko eines elektrischen Schlag.
- e) Wenn Sie mit einem Elektrowerkzeug im Freien arbeiten, verwenden Sie nur Verlängerungskabel, die auch für den Außenbereich geeignet sind. Die Anwendung eines für den Außenbereich geeigneten Verlängerungskabels verringert das Risiko eines elektrischen Schlag.
- f) Wenn der Betrieb des Elektrowerkzeuges in feuchter Umgebung nicht vermeidbar ist, verwenden Sie einen Fehlerstromschutzschalter. Der Einsatz eines Fehlerstromschutzschalters vermindert das Risiko eines elektrischen Schlag.

3) Sicherheit von Personen

- a) Seien Sie aufmerksam, Achten Sie darauf, was Sie tun,

und gehen Sie mit Vernunft an die Arbeit mit einem Elektrowerkzeug. Benutzen Sie kein Elektrowerkzeug, wenn Sie müde sind oder unter dem Einfluss von Drogen, Alkohol oder Medikamenten stehen. Ein Moment der Unachtsamkeit beim Gebrauch des Elektrowerkzeuges kann zu ernsthaften Verletzungen führen.

- b) Tragen Sie persönliche Schutzausrüstung und immer eine Schutzbrille. Das Tragen persönlicher Schutzausrüstung, wie Staubmaske, rutschfeste Sicherheitsschuhe, Schutzhelm oder Gehörschutz, je nach Art und Einsatz des Elektrowerkzeuges, verringert das Risiko von Verletzungen.
 - c) Vermeiden Sie eine unbeabsichtigte Inbetriebnahme. Vergewissern Sie sich, dass das Elektrowerkzeug ausgeschaltet ist, bevor Sie es an den Akku anschließen, es aufnehmen oder tragen. Wenn Sie beim Tragen des Elektrowerkzeuges den Finger am Schalter haben oder das Gerät eingeschaltet an die Stromversorgung anschließen, kann dies zu Unfällen führen.
 - d) Entfernen Sie Einstellwerkzeuge oder Schraubenschlüssel, bevor Sie das Elektrowerkzeug einschalten. Ein Werkzeug oder Schlüssel, der sich in einem drehenden Geräteteil befindet, kann zu Verletzungen führen.
 - e) Vermeiden Sie eine abnormale Körperhaltung. Sorgen Sie für einen sicheren Stand und halten Sie jederzeit das Gleichgewicht. Dadurch können Sie das Elektrowerkzeug in unerwarteten Situationen besser kontrollieren.
 - f) Tragen Sie geeignete Kleidung. Tragen Sie keine weite Kleidung oder Schmuck. Halten Sie Haare und Kleidung fern von sich bewegendem Teilen. Lockere Kleidung, Schmuck oder lange Haare können von sich bewegendem Teilen erfasst werden.
 - g) Wenn Staubabsaug- und -auffangeinrichtungen montiert werden können, vergewissern Sie sich, dass diese angeschlossen sind und richtig verwendet werden. Verwendung einer Staubabsaugung kann Gefährdungen durch Staub verringern.
 - h) Vermeiden Sie, durch die häufige Nutzung des Werkzeugs in einen Trott zu verfallen und Prinzipien für die Werkzeugsicherheit zu ignorieren. Eine unachtsame Aktion kann im Bruchteil einer Sekunde zu schweren Verletzungen führen.
- ### 4) Verwendung und Behandlung des Elektrowerkzeuges
- a) Überlasten Sie das Gerät nicht. Verwenden Sie für Ihre Arbeit das dafür bestimmte Elektrowerkzeug. Mit dem passenden Elektrowerkzeug arbeiten Sie besser und sicherer im angegebenen Leistungsbereich.
 - b) Benutzen Sie kein Elektrowerkzeug, dessen Schalter defekt ist. Ein Elektrowerkzeug, das sich nicht mehr ein- oder ausschalten lässt, ist gefährlich und muss repariert werden.
 - c) Klemmen Sie den Stecker von der Stromversorgung ab und/oder entfernen Sie den Akku (falls abnehmbar) aus dem Elektrowerkzeug, bevor Sie Geräteeinstellungen vornehmen, Zubehörteile wechseln oder das Gerät weglegen. Diese Vorsichtsmaßnahme verhindert den unbeabsichtigten Start des Elektrowerkzeuges.
 - d) Bewahren Sie unbenutzte Elektrowerkzeuge außerhalb der Reichweite von Kindern auf. Lassen Sie Personen das Gerät nicht benutzen, die mit diesem nicht vertraut sind oder diese Anweisungen nicht gelesen haben. Elektrowerkzeuge sind gefährlich, wenn Sie von unerfahrenen Personen benutzt werden.
 - e) Warten Sie die Elektrowerkzeuge und Zubehör.

Kontrollieren Sie, ob bewegliche Teile einwandfrei funktionieren und nicht klemmen, ob Teile gebrochen oder so beschädigt sind, dass die Funktion des Elektrowerkzeuges beeinträchtigt ist. Lassen Sie beschädigte Teile vor dem Einsatz des Gerätes reparieren. Viele Unfälle haben ihre Ursache in schlecht gewarteten Elektrowerkzeugen.

- f) Halten Sie Schneidwerkzeuge scharf und sauber. Sorgfältig gepflegte Schneidwerkzeuge mit scharfen Schneidkanten verklemmen sich weniger und sind leichter zu führen.
- g) Verwenden Sie Elektrowerkzeug, Zubehör, Einsatzwerkzeuge usw. entsprechend diesen Anweisungen. Berücksichtigen Sie dabei die Arbeitsbedingungen und die auszuführende Tätigkeit. Der Gebrauch von Elektrowerkzeugen für andere als die vorgesehenen Anwendungen kann zu gefährlichen Situationen führen.
- h) Halten Sie die Griffe trocken, sauber und frei von Öl und Fett. Rutschige Griffe und Oberflächen unterbinden die sichere Bedienbarkeit und Kontrolle über das Werkzeug in unerwarteten Situationen.
- 5) Verwendung und Behandlung des Akkuwerkzeugs
 - a) Laden Sie die Akkus nur in Ladegeräten auf, die vom Hersteller empfohlen werden. Für ein Ladegerät, das für eine bestimmte Art von Akkus geeignet ist, besteht Brandgefahr, wenn es mit anderen Akkus verwendet wird.
 - b) Verwenden Sie nur die dafür vorgesehenen Akkus in den Elektrowerkzeugen. Der Gebrauch von anderen Akkus kann zu Verletzungen und Brandgefahr führen.
 - c) Halten Sie den nicht benutzten Akku fern von Büroklammern, Münzen, Schlüsseln, Nägeln, Schrauben oder anderen kleinen Metallgegenständen, die eine Überbrückung der Kontakte verursachen könnten. Ein Kurzschluss zwischen den Akkukontakten kann Verbrennungen oder Feuer zur Folge haben.
 - d) Bei falscher Anwendung kann Flüssigkeit aus dem Akku austreten. Vermeiden Sie den Kontakt damit. Bei zufälligem Kontakt mit Wasser abspülen. Wenn die Flüssigkeit in die Augen kommt, nehmen Sie zusätzlich ärztliche Hilfe in Anspruch. Austretende Akkuflüssigkeit kann zu Hautreizungen oder Verbrennungen führen.
 - e) Verwenden Sie kein Akkupack oder Werkzeug, das beschädigt ist. Beschädigte oder modifizierte Akkus können unvorhersehbare Reaktionen auslösen und zu Bränden, Explosionen oder Verletzungen führen.
 - f) Setzen Sie das Akkupack oder Werkzeug keinem Feuer oder übermäßig hohen Temperaturen aus. Die Belastung durch Feuer oder Temperaturen über 130 °C kann zur Explosion führen.
 - g) Befolgen Sie alle Ladeanweisungen, und laden Sie das Akkupack oder Werkzeug nicht außerhalb des in den Anweisungen festgelegten Temperaturbereichs auf. Ein unsachgemäßer Ladevorgang oder Temperaturen außerhalb des festgelegten Bereichs können den Akku schädigen und die Brandgefahr erhöhen.
- 6) Service
 - a) Lassen Sie Ihr Elektrowerkzeug nur von qualifiziertem Fachpersonal und nur mit Original-Ersatzteilen reparieren. Damit wird sichergestellt, dass die Sicherheit des Gerätes erhalten bleibt.
 - b) Führen Sie niemals Wartungsarbeiten an beschädigten Akkus durch. Die Wartung von Akkupacks darf nur

vom Hersteller selbst oder autorisierten Dienstleistern durchgeführt werden.

ZUSÄTZLICHE SICHERHEITSHINWEISE FÜR AKKU- BOHRSCHRAUBER


- 1) SICHERHEITSHINWEISE FÜR ALLE BETRIEBE
 - a) Tragen Sie Gehörschutz bei der Benutzung von Schlagbohrmaschinen. Die Einwirkung von Lärm kann Gehörverlust bewirken.
 - b) Halten Sie das Werkzeug an den isolierten Griffen, wenn die Gefahr besteht, dass Sie beim Arbeiten in Wänden, Decken usw. verborgene Leitungen oder das Netzkabel berühren könnten. Metallteile am Werkzeug, die mit stromführenden Drähten in Berührung kommen, werden selbst stromführend und können der Bedienperson einen elektrischen Schlag versetzen.
- 2) SICHERHEITSHINWEISE BEI VERWENDUNG LANGER BOHRER
 - a) Bedienen Sie niemals mit einer Geschwindigkeit, die höher als die maximale Nenndrehzahl des Bohrers ist. Wenn der Bohrer bei höheren Geschwindigkeiten eine freie Drehung ohne Kontakt mit dem Werkstück zulässig ist, kann es verbogen werden, was zu Verletzungen führen kann.
 - b) Beginnen Sie das Bohren immer mit niedriger Geschwindigkeit, wobei die Bohrerspitze in Kontakt mit dem Werkstück. Wenn der Bohrer bei höheren Geschwindigkeiten eine freie Drehung ohne Kontakt mit dem Werkstück zulässig ist, kann es verbogen werden, was zu Verletzungen führen kann.
 - c) Üben Sie nur Druck aus, wenn Sie in direkter Linie mit dem Bohrer sind und keinen übermäßigen Druck ausüben. Der Bohrer kann verbogen werden, was zu einem Bruch oder Verlust der Kontrolle und zu Verletzungen führen kann.

SICHERHEITSHINWEISE FÜR AKKUPACK

- a) Zellen bzw. Akkupack nicht zerlegen, öffnen oder zerdrücken.
- b) Akkupack nicht kurzschließen. Akkupacks nicht wahllos in einer Schachtel oder Schublade aufbewahren, wo sie einander kurzschließen oder durch andere leitfähige Materialien kurzgeschlossen werden könnten. Bei Nichtverwendung des Akkupacks ist dieses von Metallgegenständen fernzuhalten, wie etwa Büroklammern, Münzen, Nägeln, Schrauben oder anderen kleinen Metallgegenständen, wo sich die Batterieklemmen berühren könnten. Das Kurzschließen der Batterieklemmen kann Verbrennungen bzw. einen Brand verursachen.
- c) Zellen bzw. Akkupacks nicht Hitze oder Feuer aussetzen. Lagerung in direktem Sonnenlicht vermeiden.
- d) Akkupack nicht mechanischen Stößen aussetzen.
- e) Im Fall, dass Flüssigkeit aus dem Akku austritt, darf diese nicht in Kontakt mit der Haut oder den Augen kommen. Sollte dies dennoch geschehen, den betroffenen Bereich sofort mit viel Wasser spülen und einen Arzt aufsuchen.
- f) Akkupack sauber und trocken halten.
- g) Sollten die Klemmen des Akkupacks schmutzig werden,

- diese mit einem sauberen, trockenen Tuch abwischen.
- h) **Akkupack muss vor Gebrauch aufgeladen werden.** Immer dieses Anweisungen beachten und den korrekten Ladevorgang ausführen.
 - i) **Akkupack bei Nichtverwendung nicht längere Zeit aufladen lassen.**
 - j) **Nach längerer Lagerung des Gerätes ist es eventuell notwendig, die Zellen oder das Akkupack mehrere Male aufzuladen und zu entladen, um eine optimale Leistung zu erhalten.**
 - k) **Nur mit dem von WESCO bezeichneten Ladegerät aufladen. Kein Ladegerät verwenden, das nicht ausdrücklich für den Gebrauch mit dem Gerät vorgesehen ist.**
 - l) **Kein Akkupack verwenden, das nicht für den Gebrauch mit dem Gerät vorgesehen ist.**
 - m) **Akkupacks von Kindern fernhalten.**
 - n) **Die originalen Produktunterlagen zum späteren Nachschlagen aufbewahren.**
 - o) **Den Akku bei Nichtverwendung aus dem Gerät nehmen.**
 - p) **Ordnungsgemäß entsorgen.**
 - q) **Vermischen Sie keine Zellen verschiedener Hersteller, Kapazitäten, Größen oder Typen innerhalb eines Geräts.**
 - r) **Halten Sie den Akku von Mikrowellen und hohem Druck fern.**
 - s) **Warnung! Verwenden Sie keine nicht wiederaufladbaren Batterien.**
9. Achten Sie beim Laden auf die Polarität "+/-".
 10. Öffnen Sie das Gerät nicht und halten Sie es von Kindern entfernt.
 11. Laden Sie keine Akkus anderer Hersteller.
 12. Vergewissern Sie sich, dass die Verbindung zwischen dem Ladegerät und dem Akku korrekt positioniert ist und nicht durch andere Gegenstände behindert wird.
 13. Halten Sie die Öffnungen im Ladegerät frei von fremden Objekten und schützen Sie sie vor Verschmutzung und Nässe. Bewahren Sie das Gerät trocken und frostfrei auf.
 14. Achten Sie darauf, dass das Laden von Akkus an einem gut gelüfteten Ort und nicht in der Nähe einer brennbaren Umgebung geschieht. Akkus erhitzen sich beim Laden. Sie dürfen nicht überladen werden. Sorgen Sie dafür, dass Akkus und Ladegerät beim Aufladen nicht unbeaufsichtigt sind.
 15. Laden Sie keine nicht-aufladbaren Akkus auf, da diese überhitzen und aufbrechen können.
 16. Eine längere Lebenszeit und eine bessere Leistung erreicht man, wenn der Akku bei einer Lufttemperatur zwischen 18°C und 24°C aufgeladen wird. Laden Sie den Akku nicht bei Lufttemperaturen unter 0°C oder über 40°C. Achten Sie darauf, um eine starke Beschädigung des Akkus zu vermeiden.
 17. Laden Sie nur ein Akkupack, welches dasselbe Modell wie das von WESCO bereitgestellte ist oder von WESCO empfohlen wird.

ALLGEMEINE SICHERHEITSHINWEISE

 **WARNUNG:** Lesen Sie alle Sicherheitshinweise und Anweisungen. Eine Missachtung der nachstehenden Hinweise kann einen Stromschlag, Feuer und/oder Verletzungen nach sich ziehen.

Bewahren Sie alle Sicherheitshinweise und Anweisungen für die Zukunft auf.

Dieses Gerät kann von Kindern ab 8 Jahren und Personen mit verringerten physischen, sensorischen oder mentalen Fähigkeiten bzw. Mangel an Erfahrung oder Kenntnis verwendet werden, wenn sie von einer Person beaufsichtigt oder bezüglich des Gebrauchs des Gerätes in einer sicheren Umgebung unterwiesen werden und die damit verbundenen Gefahren verstehen. Kinder sollten mit dem Gerät nicht spielen und Reinigungs- und Wartungsarbeiten nur unter Aufsicht durchführen.

Falls das Netzkabel beschädigt sein sollte, muss es vom Hersteller, einem seiner Service-Beauftragten oder einer ähnlich qualifizierten Person instandgesetzt werden, damit es nicht zu Gefährdungen kommt.

ZUSÄTZLICHE SICHERHEITSHINWEISE FÜR IHR LADEGERÄT

1. Vor dem Aufladen bitte die Bedienungsanleitung lesen.
2. Laden Sie einen ausgelaufenen Akku nicht auf.
3. Benutzen Sie Ladegerät nicht für Zwecke, für die sie nicht gedacht sind.
4. Schließen Sie das Ladegerät nur an den Netzstrom an.
5. Nicht im Freien verwenden, vor Regen und Feuchtigkeit schützen.
6. Das Ladegerät muss vor Nässe geschützt sein.
7. Verwenden Sie das Ladegerät nicht im Freien.
8. Schließen Sie die Kontakte des Akkus oder des Ladegeräts

SYMBOLE



Zur Reduzierung der Verletzungsgefahr bitte die Bedienungsanleitung durchlesen.



Warnung



Tragen Sie einen Gehörschutz



Tragen Sie eine Schutzbrille



Tragen Sie eine Staubmaske



Nicht im Freien verwenden (Ladegerät)



Bedienungsanleitung lesen.



Wenn die Akku nicht ordnungsgemäß gehandhabt wird, kann sie in den Wasserkreislauf gelangen, der für das Ökosystem schädlich sein kann. Entsorgen Sie verbrauchte Batterien nicht als unsortierten Hausmüll.



Nicht verbrennen



Positiver Anschluss



Negativer Anschluss



Lithium-Ionen Akku Dieses Produkt wurde mit den Symbolen für die "getrennte Sammlung" aller Akkupacken und Akkupacken gekennzeichnet. Es wird dann recycelt oder entfernt, um die Umweltbelastung zu reduzieren. Der Akkupacken kann umweltschädlich und gesundheitsschädlich sein, da er schädliche Substanzen enthält.



Elektroprodukte dürfen nicht mit dem normalen Haushaltsmüll entsorgt werden, sondern sollten nach Möglichkeit zu einer Recyclingstelle gebracht werden. Ihre zuständigen Behörden oder Ihr Fachhändler geben Ihnen hierzu gerne Auskunft.



Schutzisolation (Ladegerät)



Sicherung

HINWEISE ZUM BETRIEB



HINWEIS: Lesen Sie das Handbuch vor Inbetriebnahme des Werkzeuges sorgfältig durch.

BESTIMMUNGSGEMÄSSER GEBRAUCH

Die Maschine ist bestimmt zum Eindrehen und Lösen von Schrauben sowie zum Bohren in Holz, Metall, Kunststoff, Mauerwerk und Beton.

VOR INBETRIEBNAHME

1. LADEN DES AKKUS (SIEHE ABB. A1, A2)

- Verwenden Sie nur das spezifisch für die Ausstattung vorgesehene Ladegerät.
- Wenn das Akkupack sehr heiß ist, müssen Sie dieses aus dem Ladegerät entfernen und dem Akku ausreichend abkühlen lassen, bevor Sie ihn wiederaufladen.
- Der Akku Ihres neuen Werkzeuges ist nicht geladen, wenn er das Werk verlässt. Daher muss er vor der ersten Nutzung vollständig aufgeladen werden.
- Bitte laden Sie den Akku vor der Lagerung vollständig oder mindestens bis zur Hälfte auf. Wenn das Werkzeug für längere Zeit nicht verwendet wird, laden Sie den Akku alle 3 bis 6 Monate auf.

ENTFERNEN ODER INSTALLIEREN DES BATTERIEPACKS AUF DEM LADEGERÄT

Schieben Sie den Akku in den Akkuanschluss des Ladegeräts. Ein einfacher Stoß und leichter Druck reicht aus. Drücken Sie den Akkupack herunter
Lassen Sie die Taste zuerst fest los und schieben Sie dann den Akku heraus vom Ladegerät.

LADEN DES AKKUS

- Stecken Sie das Ladegerät in eine geeignete Steckdose. Das Licht leuchtet grün.
- Bringen Sie das Akkupack in das Ladegerät, das Licht zeigt mit rot an, dass der Ladevorgang beginnt.
- Nach Abschluss des Ladevorgangs leuchtet das Licht grün. Das Akkupack ist nun voll aufgeladen. Trennen Sie das Ladegerät und entfernen Sie das Akkupack.

LADE-ANZEIGEN

Dieses Ladegerät wurde konzipiert, um Probleme von Batteriepacks zu erkennen. Die Anzeigelichter zeigen Probleme an (siehe Tabelle unten). Falls dies auftreten sollte, legen Sie ein neues Batteriepack ein um herauszufinden, ob das Ladegerät funktionsfähig ist. Wenn die neue Batterie richtig lädt, so ist das alte Batteriepack defekt und sollte an ein Service- oder Recycling-Center zurückgegeben werden. Wenn das neue Batteriepack das gleiche Problem wie das ursprüngliche Batteriepack aufweist, lassen Sie das Ladegerät in einem autorisierten Service-Center überprüfen.

Licht	Status
Rot an	Lädt
Grün an	Ladevorgang abgeschlossen



WARNUNG: Falls die Ladekapazität aufgrund langer Benutzung oder direkter Sonneneinstrahlung oder Hitze zur Neige geht, lassen Sie den Akku vor dem Wiederaufladen ausreichend abkühlen, damit die volle Ladung erreicht werden kann.

2. ANBRINGEN UND ENTFERNEN DES AKKUS (SIEHE ABB. B,C)

Drücken Sie die Akkuverriegelung hinein, um den Akku zu entriegeln, und ziehen Sie ihn aus dem Bohrer heraus. Schieben Sie ihn nach dem Aufladen wieder in den Bohrer hinein. Schieben Sie ihn mit leichtem Druck ganz in die Aufnahme hinein.

BETRIEB

1. EIN/AUS-SCHALTER (SIEHE ABB. D)

Zum Einschalten des Werkzeuges drücken Sie auf den Schalter. Zum Stoppen lassen Sie den Schalter wieder los. Der Ein-/Aus-Schalter bietet zugleich eine Bremsfunktion, die das Bohrfutter augenblicklich stoppt, wenn Sie den Schalter loslassen. Je nach Betätigungsdruck können Sie mit dem Ein-/Aus-Schalter auch die Drehzahl steuern: Je stärker der Druck, desto größer Drehzahl und Drehmoment. Die Drehzahl wird durch den Druck auf den Schalter reguliert.



WARNUNG: Nicht über längere Zeiträume bei niedriger Geschwindigkeit betreiben, dabei kann es zu großer Hitzeentwicklung im Geräterinneren kommen. Lassen Sie bei Überlastung den Ein- / Ausschalter sofort los, um eine Überhitzung des Motors zu vermeiden.

2. SCHALTERVERRIEGELUNG (SIEHE ABB. E)

Der Schalter kann in der OFF (AUS)-Position verriegelt werden. Dies vermindert die Gefahr des unbeabsichtigten Anlaufens des Bohrers. Stellen Sie den Laufrichtungswahlschalter in die Mittelposition, um die Schalterverriegelung zu aktivieren.

3. EINSTELLUNG DER DREHRICHTUNG (SIEHE ABB. F1, F2)

Vorwärtsdrehung: Schieben Sie den Vorwärts- / Rückwärtsdrehungsregler nach links (die Bohrer Spitze ist von Ihnen entfernt). Es wird zum Bohren und Schrauben verwendet.

Rückwärtsdrehung: Schieben Sie den Vorwärts- / Rückwärtsdrehungsregler nach rechts (die Bohrer Spitze ist von Ihnen entfernt). Es wird zum Entfernen der Schraube oder zum Lösen eines verklemmten Bohrers verwendet.



WARNUNG: Ändern Sie die Arbeitsrichtung niemals bei laufendem Bohrer. Warten Sie, bis der Bohrer steht!

4. ZWEISTUFIGE GANGSCHALTUNG (SIEHE ABB. G)

Die Bohrmaschine hat eine 2-Gangschaltung für Bohren und Schrauben mit niedriger LO (1) oder hoher HI (2) Drehzahl. Ein Schieber an der Oberseite dient der Einstellung der Drehzahl auf LO oder HI. In der Geschwindigkeitsstufe LO arbeitet die Bohrmaschine mit niedriger Geschwindigkeit; Leistung und Drehmoment sind jedoch höher. In der Geschwindigkeitsstufe HI arbeitet die Bohrmaschine dagegen mit höherer Geschwindigkeit; Leistung und Drehmoment sind jedoch geringer.

I Gang

Niedrige Umdrehungszahl: Für Anziehen von Schrauben oder Arbeiten mit großen Bohrdurchmessern.

II Gang

Hohe Umdrehungszahl: Für Arbeiten mit kleinen Bohrdurchmessern.



WARNUNG: Warten Sie immer, bis der Motor völlig stillsteht, ehe Sie die Geschwindigkeit oder die Drehrichtung ändern; andernfalls kann das Getriebe beschädigt werden.

Wenn das Hochgeschwindigkeitsgetriebe häufig überlastet wird, schalten Sie auf das Niedriggeschwindigkeitsgetriebe um, um eine Überhitzung des Motors zu vermeiden.

5. BOHRFUTTEREINSTELLUNG (SIEHE ABB. H)

Zum Öffnen des Bohrfutters drehen Sie den vorderen Teil des Bohrfutters. Setzen Sie das Bit zwischen die Bohrfutterbacken und drehen Sie den vorderen Teil des Bohrfutters wieder in Gegenrichtung. Achten Sie darauf, dass das Bit genau in der Mitte des Bohrfutters sitzt. Abschließend ziehen Sie das Bohrfutter fest an. Der Bohrer ist nun richtig im Bohrfutter eingespannt.

6. EINSTELLUNG DES DREHMOMENTS (SIEHE ABB. I1, I2)

Das Drehmoment wird durch Drehen des Drehmomenteinstellrings eingestellt. Das Drehmoment ist größer, wenn der Drehmomenteinstellung auf eine höhere Einstellung eingestellt ist. Das Drehmoment ist geringer, wenn der Drehmomenteinstellung auf eine niedrigere Einstellung eingestellt ist (siehe Abb. I1).

A. Für die Schraubfunktion

Um die Schraubfunktion auszuwählen, drehen Sie den Funktionsauswahlring so, dass das Schraubensymbol mit der dreieckigen Anzeige auf der Oberseite des Bohrergehäuses ausgerichtet ist (siehe Abb. I2-a).

Um die Drehmomenteinstellung einzustellen, drehen Sie den Drehmomenteinstellung, um die erforderliche Drehmomenteinstellung mit der dreieckigen Anzeige oben auf dem Bohrer auszurichten. Je höher die Zahl, desto höher das Ausgangsdrehmoment.

B. Für die Bohrfunktion

HINWEIS: Bei Verwendung der Bohrfunktion hat die Drehmomentsteuerung keinen Einfluss auf die Leistung des Bohrers.

Um die Bohrfunktion auszuwählen, drehen Sie den Funktionsauswahlring so, dass das Symbol des Bohrers mit der dreieckigen Anzeige auf der Oberseite des Bohrergehäuses übereinstimmt (siehe Abb. I2-b).

Die Bohrfunktion dient zum Bohren von Löchern in Metall, Buntmetall, Holz, Kunststoff und ähnlichen Materialien.

C. Für die Hammerfunktion

HINWEIS: Bei Verwendung der Schlagbohrfunktion hat die Drehmomentsteuerung keinen Einfluss auf die Bohrleistung.

Um die Hammerfunktion auszuwählen, drehen Sie den Funktionsauswahlring so, dass das Symbol der Hammerfunktion mit der dreieckigen Anzeige auf der Oberseite des Bohrergehäuses übereinstimmt (siehe Abb. I2-c).

Nutzen Sie folgende Einstellungen:

	1 - 5 zum Eindrehen kleiner Schrauben
	6 - 11 zum Schrauben in weiches Material
	12 - 16 zum Schrauben in weiches und hartes Material
	17 - 22 zum Schrauben in Hartholz
	23 - 25 zum Eindrehen größerer Schrauben
	für schweres Bohren
	zum Bohren in Mauerwerk und Beton

7. ARBEITSLICHT

Das Arbeitslicht leuchtet bereits bei geringem Druck auf den Ein-/Aus-Schalter, das Gerät läuft aber noch nicht an. Wenn Sie den Ein-/Aus-Schalter loslassen, geht das Licht wieder aus.

8. VERWENDUNG DES GÜRTELCLIP (SIEHE ABB. J)

Schrauben Sie den Gürtelclip mit der Schraube am Werkzeug. Der Gürtelclip kann am Gürtel oder an der Tasche usw. eingehängt werden.

9. BATTERIEKAPAZITÄTSANZEIGE

Ihr Werkzeug ist mit einer Batteriekapazitätsanzeige ausgestattet. Drücken Sie den Ein-/Aus-Schalter halb oder vollständig, die Batteriekapazitätsanzeige leuchtet auf, um die verbleibende Ladungsmenge in der Batterie anzuzeigen.

Takanzeige	Kapazität
3 Leuchten	> 70%
2 Leuchten	40%~70%
1 Leuchte	< 40%

10. BOHREN

Verwenden Sie beim Bohren in hartes Material einen Körner, um den gewünschten Bohrungspunkt zu markieren. Ein kleiner Körnerpunkt verhindert, dass der Bohrer beim Anbohren verläuft. Halten Sie das Werkzeug fest und setzen Sie die Bohrer Spitze auf den Bohrpunkt. Starten Sie den Bohrer durch Betätigen des Schalters. Bringen Sie ausreichend Kraft auf, damit die Bohrer Spitze sich in das Material arbeitet. Versuchen Sie jedoch niemals, den Bohrer mit Gewalt oder durch seitlichen Druck weiter in das Material zu treiben.



Für Arbeiten in Mauerwerk und Beton sollten Sie immer Wolframkarbidbohrer verwenden. Für Arbeiten in Metall sollten Sie ausschließlich HSS-Bohrer in einwandfreiem Zustand verwenden. Verwenden Sie beim Arbeiten mit kurzen Schrauberklängen immer einen magnetischen Bit-Halter (nicht unbegriffen). Geben Sie beim Eindrehen von Schrauben eine kleine Menge Seifenwasser o. ä. auf das Gewinde, um das Eindrehen zu erleichtern.

11. ÜBERLASTUNGSSCHUTZ

Bei Überlastung hält der Motor an. Schalten Sie das Gerät aus und warten Sie bis sich das Gerät ausreichend abgekühlt hat bevor Sie wieder einschalten. Verringern Sie die Belastung des Gerätes.

12. TEMPERATURABHÄNGIGER ÜBERLASTSCHUTZ

Bei bestimmungsgemäßen Gebrauch kann das Elektrowerkzeug nicht überlastet werden. Bei zu starker Belastung oder Überschreitung der zulässigen Akku-Temperatur von 75 °C schaltet die Elektronik das Elektrowerkzeug ab, bis diese wieder im optimalen Betriebstemperaturbereich ist.

13. TIEFENTLADUNGSSCHUTZ



Der Li-Ionen-Akku ist durch die „Discharging Protection System“ gegen Tiefentladung geschützt. Bei entlademem Akku wird das Elektrowerkzeug durch eine Schutzschaltung abgeschaltet: Das Einsatzwerkzeug bewegt sich nicht mehr.

PROBLEMBEHEBUNG

1. DIE SCHLAGBOHRMASCHINE LÄSST SICH NICHT EINSCHALTEN?

Der Drehrichtungsschalter oben an der Schlagbohrmaschine ist verriegelt. Entsperren Sie den Schalter, indem die gewünschte Drehrichtung einstellen. Starten Sie den Schlagbohrer, indem Sie den Schalter drücken.

2. DER BOHRER STOPPT, EHE DIE SCHRAUBE RICHTIG FESTGEZOGEN IST?

Überprüfen Sie die Drehmomenteinstellung am Drehmomenteinstellung (zwischen dem Spannfutter und Gehäuse). Position 1 ist die Einstellung für das niedrigste Drehmoment (zum Schrauben eindrehen); Position 25 die für das höchste Drehmoment (zum Schrauben eindrehen). Position  wird zum Bohren verwendet. Position  wird zum Schlagbohren verwendet. Stellen Sie das Drehmoment höher ein, um ein optimales Ergebnis zu erzielen.

3. GRÜNDE FÜR UNTERSCHIEDLICHE AKKULAUFZEITEN

Das Problem mit der Ladezeit, wenn der Akku längere Zeit nicht verwendet wird, verringert die Arbeitszeit des Akkus. Dies kann nach mehreren Lade- und Entladevorgängen korrigiert werden, um den Antrieb aufzuladen und mit ihm zu arbeiten. In schwereren Arbeitsumgebungen, z. B. beim Anbringen großer Schrauben in Hartholz, verbraucht der Akku mehr Energie als in einer leichteren Arbeitsumgebung. Laden Sie den Akku nicht unter 0 °C und über 40 °C auf, da dies die Leistung beeinträchtigt.

WARTUNG

Entfernen Sie das Akkupack aus dem Werkzeug, bevor Sie Einstellungs-, Service- oder Wartungsarbeiten durchführen. Ihr Werkzeug benötigt keine zusätzliche Schmierung oder Wartung. Es enthält keine Teile, die Sie warten müssen. Reinigen Sie Ihr Werkzeug niemals mit Wasser oder chemischen Lösungsmitteln. Wischen Sie es mit einem trockenen Tuch sauber. Lagern Sie Ihr

Werkzeug immer an einem trockenen Platz. Sorgen Sie dafür, dass bei staubigen Arbeiten die Lüftungsöffnungen frei sind. Halten Sie alle Bedienelemente staubfrei. Gelegentlich sind durch die Lüftungsschlitze hindurch Funken zu sehen. Dies ist normal und wird Ihr Werkzeug nicht beschädigen.

Bei Akkuwerkzeugen

Der Umgebungstemperaturbereich für die Nutzung und Lagerung von Werkzeug und Akku liegt zwischen 0 °C und 45 °C. Der empfohlene Umgebungstemperaturbereich für die Ladestation liegt zwischen 0 °C und 40 °C.

UMWELTSCHUTZ



Elektroprodukte dürfen nicht mit dem normalen Haushaltsmüll entsorgt werden, sondern sollten nach Möglichkeit zu einer Recyclingstelle gebracht werden. Ihre zuständigen Behörden oder Ihr Fachhändler geben Ihnen hierzu gerne Auskunft.

KONFORMITÄTserklärung

Wir,
POSITEC Germany GmbH
Postfach 32 02 16, 50796 Cologne, Germany

Erklären hiermit, dass unser Produkt,
Beschreibung **Akkubetriebener Bohrer**
Typ **WS2419K2 (24-Maschinenbezeichnung, repräsentativ für Akku-Schlagbohrmaschine)**
Funktion **Bohren**

Den Bestimmungen der folgenden Richtlinien entspricht:

2006/42/EC
2011/65/EU & (EU)2015/863,
2014/30/EU
2014/35/EU
2006/66/EC & 2013/56/EU

Werte nach
EN 55014-1, EN 55014-2, EN 62841-1, EN 62841-2-1
EN 60335-1, EN 60335-2-29, EN 62233,
EN IEC 61000-3-2, EN 61000-3-3, EN 62133-2

Zur Kompilierung der technischen Datei ermächtigte Person,

Name **Marcel Filz**
Anschrift **POSITEC Germany GmbH**
Postfach 32 02 16, 50796 Cologne, Germany






2023/04/04
Allen Ding
Stellvertretender Cheffingenieur, Prüfung und Zertifizierung
Positec Technology (China) Co., Ltd
18, Dongwang Road, Suzhou Industrial
Park, Jiangsu 215123, P. R. China

LISTE DES COMPOSANTS

1. Mandrin sans clé
2. Bague de réglage du couple
3. Bague de réglage marteau / vissage / perçage
4. Commande de vitesse à deux vitesses
5. Commande de rotation avant/arrière
6. Agrafe de ceinture
7. Batterie
8. Bouton de libération de la batterie
9. Lumière menée
10. Poignée souple
11. Interrupteur marche/arrêt
12. Embouts à double extrémité

CARACTÉRISTIQUES TECHNIQUES

Type WS2419K2 (24-désignation des machines, représentatives du marteau perforateur sans fil)

Tension		18V 
Pas de vitesse de chargement		0-450/2000 /min
Taux d'impact		0-8550/0-36100bpm
Nombre de positions d'embrayage		25+1+1
Couple maxi		60 Nm
Capacité du mandrin		13mm
Max. capacité de forage	Acier	13mm
	Bois	40mm
	Béton	16mm
Poids de la machine (outil seul)		1.14kg
Entrée chargeur (WS9969)		100-240V ~ 50/60Hz, 55W
Sortie chargeur (WS9969)		20V  2.0A
Classe de protection du chargeur		 / II
Capacité de la batterie (WS9970)		2.0 Ah
Temps de charge		1 hr

INFORMATIONS RELATIVES AU BRUIT

Pour perceuse	Une pression acoustique pondérée	$L_{PA} = 74$ dB(A)
	Une puissance sonore pondérée	$L_{WA} = 82$ dB(A)
	K_{PA} & K_{WA}	5 dB(A)
Pour perceuse à percussion	Une pression acoustique pondérée	$L_{PA} = 95$ dB(A)
	Une puissance sonore pondérée	$L_{WA} = 103$ dB(A)
	K_{PA} & K_{WA}	5 dB(A)

Porter une protection pour les oreilles.


INFORMATIONS RELATIVES AUX VIBRATIONS

Valeurs totales de vibration (somme du vecteur triaxial) déterminées selon la norme EN 62841:

Perçage dans le métal	Valeur d'émission de vibrations $a_{h,D} = 1.0 \text{ m/s}^2$
	Incertitude $K = 1.5 \text{ m/s}^2$
Perçage par percussion dans le béton	Valeur d'émission de vibrations $a_{h,D} = 6.2 \text{ m/s}^2$
	Incertitude $K = 1.5 \text{ m/s}^2$

La valeur totale de vibration déclarée et la valeur d'émission de bruit déclarée ont été mesurées conformément à la méthode d'essai standard et peuvent être utilisées pour comparer un outil à un autre.

La valeur totale de vibration déclarée et la valeur d'émission de bruit déclarée peuvent également être utilisées lors d'une évaluation préliminaire de l'exposition.

 **AVERTISSEMENT:** Les vibrations et les émissions de bruit au cours de l'utilisation réelle de l'outil électrique peuvent varier de la valeur déclarée en fonction du mode d'utilisation de l'outil, en particulier du type de pièce traité selon les exemples suivants et d'autres variations concernant le mode d'utilisation de l'outil:

Comment l'outil est utilisé et quels matériaux sont coupés ou percés.


L'outil est en bon état et bien entretenu.

L'utilisation du bon accessoire pour l'outil et l'assurance qu'il est affûté et en bon état.

La force avec laquelle vous serrez les poignées et l'utilisation éventuelle d'un quelconque accessoire anti-bruit et anti-vibration.

Et l'outil est utilisé comme prévu dans sa conception et dans les présentes instructions.

Cet outil peut causer un syndrome de vibration du bras et de la main s'il n'est pas correctement géré.

 **AVERTISSEMENT:** Pour être précise, une évaluation du niveau d'exposition en conditions réelles d'utilisation doit également tenir compte de toutes les parties du cycle d'utilisation telles que les moments où l'outil est éteint, et ceux où il fonctionne au ralenti mais ne réalise pas réellement de tâche. Ceci peut réduire de façon significative le niveau d'exposition et la période de fonctionnement totale.

Facteurs contribuant à minimiser votre risque d'exposition aux vibrations et au bruit.

Utilisez TOUJOURS des ciseaux, des forets et des lames affûtés.

Entretenez cet outil en accord avec les présentes instructions et maintenez-le lubrifié (si approprié).

Si l'outil doit être fréquemment utilisé, investissez dans des accessoires anti-bruit et anti-vibration.

Planifiez votre travail pour étaler toute utilisation d'outil à fortes vibrations sur plusieurs jours.

ACCESSOIRES

Chargeur (WS9969)	1
Batterie (WS9970)	2
Embout à double extrémité (PH2 / SL5.5)	1
Boucle de ceinture	1

Nous vous recommandons d'acheter tous les accessoires dans le magasin d'acquisition de la machine. Pour plus d'informations, se référer à l'emballage des accessoires. Le personnel du magasin est également là pour vous conseiller.

SÉCURITÉ DU PRODUIT

AVERTISSEMENTS DE SÉCURITÉ GÉNÉRAUX POUR L'OUTIL



AVERTISSEMENT: Lire l'ensemble des mises en garde, instructions, illustrations et spécifications fournies avec cet outil électrique. Ne pas suivre toutes les instructions énumérées ci-dessous peut conduire à une électrocution, un incendie et / ou des blessures graves.

Conservé tous les avertissements et toutes les instructions pour pouvoir s'y reporter ultérieurement.

Le terme «outil» dans les avertissements fait référence à votre outil électrique alimenté par le secteur (avec cordon d'alimentation) ou votre outil fonctionnant sur batterie (sans cordon d'alimentation).

1) SÉCURITÉ DE LA ZONE DE TRAVAIL

- a) **Conserver la zone de travail propre et bien éclairée.** Les zones en désordre ou sombres sont propices aux accidents.
- b) **Ne pas faire fonctionner les outils électriques en atmosphère explosive, par exemple en présence de liquides inflammables, de gaz ou de poussières.** Les outils électriques produisent des étincelles qui peuvent enflammer les poussières ou les fumées.
- c) **Maintenir les enfants et les personnes présentes à l'écart pendant l'utilisation de l'outil.** Les distractions peuvent vous faire perdre le contrôle de l'outil.

2) SÉCURITÉ ÉLECTRIQUE

- a) **Il faut que les fiches de l'outil électrique soient adaptées au socle. Ne jamais modifier la fiche de quelque façon que ce soit. Ne pas utiliser d'adaptateurs avec des outils à branchement de terre.** Des fiches non modifiées et des socles adaptés réduiront le risque de choc électrique.
- b) **Éviter tout contact du corps avec des surfaces reliées à la terre telles que les tuyaux, les radiateurs, les cuisinières et les réfrigérateurs.** Il existe un risque accru de choc électrique si votre corps est relié à la terre.
- c) **Ne pas exposer les outils à la pluie ou à des conditions humides.** La pénétration d'eau à l'intérieur d'un outil augmentera le risque de choc électrique.
- d) **Ne pas maltraiter le cordon. Ne jamais utiliser le cordon pour porter, tirer ou débrancher l'outil. Maintenir le cordon à l'écart de la chaleur, du lubrifiant, des arêtes ou des parties en mouvement.** Des cordons endommagés ou emmêlés augmentent le risque de choc électrique.
- e) **Lorsqu'on utilise un outil à l'extérieur, utiliser un prolongateur adapté à l'utilisation extérieure.** L'utilisation d'un cordon adapté à l'utilisation extérieure réduit le risque de choc électrique.
- f) **Si l'usage d'un outil dans un emplacement humide est inévitable, utiliser une alimentation protégée par un dispositif à courant différentiel résiduel (DDR).** L'usage d'un DDR réduit le risque de choc électrique.

3) SÉCURITÉ DES PERSONNES

- a) **Restez vigilant, regardez ce que vous êtes en train de faire et faites preuve de bon sens dans votre utilisation de l'outil. Ne pas utiliser un outil lorsque vous êtes fatigué ou sous l'emprise de drogues, d'alcool ou de médicaments.** Un moment d'inattention en cours d'utilisation d'un outil peut entraîner des blessures graves des personnes.
- b) **Utiliser un équipement de sécurité. Toujours porter une**

protection pour les yeux. Les équipements de sécurité tels que les masques contre les poussières, les chaussures de sécurité antidérapantes, les casques ou les protections acoustiques utilisés pour les conditions appropriées réduiront les blessures de personnes.

- c) **Éviter tout démarrage intempestif. S'assurer que l'interrupteur est en position arrêté avant de brancher l'outil au secteur et/ou au bloc de batteries, de le ramasser ou de le porter.** Porter les outils en ayant le doigt sur l'interrupteur ou brancher des outils dont l'interrupteur est en position marche est source d'accidents.
 - d) **Retirer toute clé de réglage avant de mettre l'outil en marche.** Une clé laissée fixée sur une partie tournante de l'outil peut donner lieu à des blessures de personnes.
 - e) **Ne pas se précipiter. Garder une position et un équilibre adaptés à tout moment.** Cela permet un meilleur contrôle de l'outil dans des situations inattendues.
 - f) **S'habiller de manière adaptée. Ne pas porter de vêtements amples ou de bijoux.** Garder les cheveux et les vêtements à distance des parties en mouvement. Des vêtements amples, des bijoux ou les cheveux longs peuvent être pris dans des parties en mouvement.
 - g) **Si des dispositifs sont fournis pour le raccordement d'équipements pour l'extraction et la récupération des poussières, s'assurer qu'ils sont connectés et correctement utilisés.** Utiliser des collecteurs de poussière peut réduire les risques dus aux poussières.
 - h) **Ne pas laisser les habitudes acquises au cours d'une utilisation fréquente des outils nous rendre complaisants et ignorer les principes de sécurité de l'outil.** Une action imprudente peut entraîner des blessures graves en une fraction de seconde.
- ### 4) UTILISATION ET ENTRETIEN DE L'OUTIL
- a) **Ne pas forcer l'outil. Utiliser l'outil adapté à votre application.** L'outil adapté réalisera mieux le travail et de manière plus sûre au régime pour lequel il a été construit.
 - b) **Ne pas utiliser l'outil si l'interrupteur ne permet pas de passer de l'état de marche à arrêté et vice versa.** Tout outil qui ne peut pas être commandé par l'interrupteur est dangereux et il faut le réparer.
 - c) **Débrancher la prise de la source d'alimentation et / ou retirer la batterie, si elle est amovible, de l'outil, avant tout réglage, changement d'accessoires ou avant de ranger l'outil.** De telles mesures de sécurité préventives réduisent le risque de démarrage accidentel de l'outil.
 - d) **Conserver les outils à l'arrêt hors de la portée des enfants et ne pas permettre à des personnes ne connaissant pas l'outil ou les présentes instructions de le faire fonctionner.** Les outils sont dangereux entre les mains d'utilisateurs novices.
 - e) **Entretenir les outils et accessoires électriques.** Vérifier qu'il n'y a pas de mauvais alignement ou de blocage des parties mobiles, des pièces cassées ou toute autre condition pouvant affecter le fonctionnement de l'outil. En cas de dommages, faire réparer l'outil avant de l'utiliser. De nombreux accidents sont dus à des outils mal entretenus.
 - f) **Garder affûtés et propres les outils permettant de couper.** Des outils destinés à couper correctement entretenus avec des pièces coupantes tranchantes sont moins susceptibles de bloquer et sont plus faciles à contrôler.
 - g) **Utiliser l'outil, les accessoires et les lames etc., conformément à ces instructions, en tenant compte des**

conditions de travail et du travail à réaliser. L'utilisation de l'outil pour des opérations différentes de celles prévues pourrait donner lieu à des situations dangereuses.

- h) Maintenir les poignées et les surfaces de préhension sèches, propres et exemptes d'huile et de graisse.** Des poignées et surfaces de préhension glissantes ne permettent pas une manipulation et un contrôle de l'outil en toute sécurité en cas d'imprévu.
- 5) UTILISATION DES OUTILS FONCTIONNANT SUR BATTERIES ET PRÉCAUTIONS D'EMPLOI**
- a) Ne recharger qu'avec le chargeur spécifié par le fabricant.** Un chargeur qui est adapté à un type de bloc de batteries peut entraîner un risque d'incendie lorsqu'il est utilisé avec un autre type de bloc de batteries.
- b) N'utiliser les outils qu'avec des blocs de batteries spécifiquement désignés.** L'utilisation de tout autre bloc de batteries peut entraîner un risque de blessure et d'incendie.
- c) Lorsqu'un bloc de batteries n'est pas utilisé, le maintenir à l'écart de tout autre objet métallique, par exemple trombones, pièces de monnaie, clés, clous, vis ou autres objets de petite taille qui peuvent donner lieu à une connexion d'une borne à une autre.** Le court-circuitage des bornes d'une batterie entre elles peut causer des brûlures ou un incendie.
- d) Dans de mauvaises conditions, du liquide peut être éjecté de la batterie; éviter tout contact.** En cas de contact accidentel, nettoyer à l'eau. Si le liquide entre en contact avec les yeux, rechercher en plus une aide médicale. Le liquide éjecté des batteries peut causer des irritations ou des brûlures.
- e) N'utilisez pas de batterie ou d'outil endommagé ou modifié.** Des batteries endommagées ou modifiées peuvent se comporter de façon imprévisible et causer un incendie, une explosion ou un risque de blessure.
- f) N'exposez pas une batterie ou un outil à un incendie ou à une température excessive.** L'exposition à un incendie ou une température supérieure à 130 °C peut causer une explosion.
- g) Suivez toutes les instructions de charge et ne rechargez pas la batterie ou l'outil en dehors de la plage de température spécifiée dans les instructions.** Recharger la batterie de façon inappropriée ou en dehors de la plage de température spécifiée peut l'endommager et augmente le risque d'incendie.
- 6) MAINTENANCE ET ENTRETIEN**
- a) Faire entretenir l'outil par un réparateur qualifié utilisant uniquement des pièces de rechange identiques.** Cela assurera le maintien de la sécurité de l'outil.
- b) Ne révisiez jamais de batteries endommagées.** La révision de batteries doit uniquement être effectuée par le fabricant ou les prestataires de service autorisés.

CONSIGNES DE SÉCURITÉ CONCERNANT LA PERCEUSE

- 1) INSTRUCTIONS DE SÉCURITÉ POUR TOUTES OPÉRATIONS**
- a) Veuillez porter un casque antibruit lorsque vous utilisez une perceuse à percussion.** L'exposition au bruit peut causer la perte de l'audition.
- b) Tenir l'outil par les zones de prises isolées lors d'une utilisation où l'outil tranchant pourrait entrer en contact**

avec des fils cachés ou avec son propre cordon. Si les parties externes en métal entrent en contact avec un fil électrique « sous tension », elles pourraient elles aussi devenir « sous tension » et l'utilisateur pourrait recevoir une décharge électrique.

- 2) INSTRUCTIONS DE SÉCURITÉ LORSQUE L'UTILISATION DE FORETS LONG**
- a) Ne jamais fonctionner à une vitesse supérieure à la vitesse maximale autorisée du foret.** À des vitesses plus élevées, le foret risque de se plier s'il est autorisé à tourner librement sans toucher la pièce, entraînant des blessures corporelles.
- b) Commencez toujours le forage à basse vitesse avec la pointe du trépan tout en contactant la pièce.** À des vitesses plus élevées, le foret risque de se plier s'il est autorisé à tourner librement sans toucher la pièce, entraînant des blessures corporelles.
- c) Appliquer la pression uniquement en ligne directe avec le foret et ne pas appliquer de pression excessive.** Les forages peuvent se plier et provoquent une rupture ou une perte de contrôle, entraînant des blessures.

MISES EN GARDE CONCERNANT LA BATTERIE

- a) La batterie et les piles secondaires ne doivent pas être ouvertes, démontées ou broyées.**
- b) La batterie ne doit pas être court-circuitée.** Évitez de mettre la batterie en vrac dans une boîte ou dans un tiroir où elles risqueraient de se court-circuiter entre elles ou au contact d'autres objets métalliques. Après usage, évitez tout contact de la batterie avec d'autres objets métalliques de petite taille (trombones, pièces, clés, clous, vis etc.) susceptibles de court-circuiter les pôles. Un court-circuit entre les pôles de la batterie peut être à l'origine de brûlures ou d'un incendie.
- c) La batterie ne doit pas être exposée au feu et à la chaleur.** Évitez de la ranger à la lumière du soleil.
- d) La batterie et les piles ne doivent pas être soumises à des chocs mécaniques.**
- e) En cas de fuite des piles, évitez tout contact du liquide avec la peau et les yeux.** En cas de contact, rincez abondamment la surface touchée avec de l'eau et appelez les urgences.
- f) La batterie et les piles doivent rester propres et sèches.**
- g) Si la batterie ou les piles se salissent, essuyez-les avec un chiffon propre et sec.**
- h) La batterie et les piles doivent être chargées avant usage.** Utilisez toujours le chargeur adéquat, et respectez les instructions du fabricant ou le mode d'emploi de l'appareil concernant la procédure de recharge.
- i) Évitez de laisser une batterie se charger pendant trop longtemps lorsqu'elle n'est pas utilisée.**
- j) Après de longues périodes d'inutilisation, il peut être nécessaire de charger et décharger la batterie et les piles à plusieurs reprises avant que celles-ci ne retrouvent leur capacité maximale.**
- k) N'utilisez pas d'autre chargeur que celui spécifié par WESCO. N'utilisez pas d'autre chargeur que celui spécifiquement fourni avec l'appareil.**
- l) N'utilisez en aucun cas une batterie autre que celle prévue pour cet appareil.**

- m) La batterie doit être tenue hors de portée des enfants.
- n) Gardez la documentation d'origine du produit afin de pouvoir vous y référer ultérieurement.
- o) Enlevez la batterie de l'appareil lorsque vous ne l'utilisez pas.
- p) Respectez les procédures de mise au rebut.
- q) Ne pas mélanger des piles de fabrication, capacité, taille ou type différents dans un appareil.
- r) Protégez la batterie des micro-ondes et des hautes pressions.
- s) Attention ! N'utilisez pas de piles non rechargeables.

INSTRUCTIONS DE SÉCURITÉ POUR CHARGEURS



ATTENTION: Lire toutes les instructions et tous les avertissements liés à la sécurité. Lire toutes les instructions. Si les instructions ne sont pas respectées, il existe un risque de décharges électriques, d'incendie et/ou de blessures graves.

Conservé tous les avertissements et toutes les instructions pour pouvoir s'y reporter ultérieurement.

Cet appareil peut être utilisé par des enfants âgés de 8 ans et plus, et des personnes ayant des capacités physiques, sensorielles ou mentales réduites, ou présentant un manque d'expérience et de connaissances, si elles sont sous surveillance ou formées à l'utilisation de l'appareil en toute sécurité et comprennent les risques qu'il entraîne.

Les enfants ne doivent pas jouer avec l'appareil. L'entretien et le nettoyage ne doivent pas être effectués par des enfants sans surveillance.

Si l'alimentation est endommagée, elle doit être remplacée par le fabricant, son agent de maintenance ou une personne qualifiée de façon similaire, afin d'éviter tout danger.

INSTRUCTIONS SUPPLÉMENTAIRES LIÉES A LA SÉCURITÉ POUR VOTRE CHARGEUR DE BATTERIE

1. Avant la recharge, lisez les instructions.
2. Ne chargez pas une batterie qui fuit.
3. N'utilisez pas de chargeurs pour des travaux autres que ceux pour lesquels ils sont conçus.
4. Ne branchez le chargeur que sur une alimentation réseau alternatif (AC).
5. Usage interne uniquement, n'exposez pas le chargeur à la pluie ou à l'eau.
6. Le chargeur doit être protégé de l'humidité !
7. N'utilisez pas le chargeur à l'extérieur.
8. Ne court-circuitez pas les contacts de la batterie ou du chargeur.
9. Respectez la polarité "+/-" lors de la charge.
10. N'ouvrez l'appareil et tenez-le hors de portée des enfants.
11. Ne chargez pas de batteries d'autres fabricants.
12. Assurez-vous que la connexion entre le chargeur de batterie et la batterie est correctement positionnée et n'est pas obstruée par des corps étrangers.
13. Laissez les fentes du chargeur de batterie libres d'objets étrangers et protégez-le de la poussière et de l'humidité.

- 14. Stockez-le dans un endroit sec et qui ne gèle pas. Lors de la charge de batteries, assurez-vous que le chargeur de batterie est dans un endroit bien ventilé et à l'écart de matériaux inflammables. Les batteries peuvent chauffer pendant la charge. Ne surchargez pas les batteries. Assurez-vous que les batteries et les chargeurs de batterie ne restent pas sans surveillance pendant la charge.
- 15. Ne chargez pas de batteries non rechargeables, car elles peuvent chauffer et s'endommager.
- 16. Une vie plus longue et de meilleures performances peuvent être obtenues si la batterie est chargée lorsque la température de l'air est entre 18°C et 24°C. Ne chargez pas la batterie à des températures ambiantes inférieures à 0°C, ou au-dessus de 40°C. Ceci est important, car la batterie peut en être sérieusement endommagée.
- 17. Chargez uniquement des batteries du même modèle que celui fourni par WESCO et des modèles recommandés par WESCO.

SYMBOLS



Pour réduire le risque de blessure, l'utilisateur doit lire le mode d'emploi.



Avertissement



Porter une protection pour les yeux



Porter une protection pour les oreilles



Porter un masque contre la poussière



Usage interne uniquement (Chargeur)



Lire le manuel



Les piles peuvent entrer dans le cycle de l'eau si elles sont éliminées de manière inappropriée, ce qui peut être dangereux pour l'écosystème. Ne pas jeter les piles usagées comme des déchets municipaux non triés.



Nicht verbrennen



Borne positive



Borne négative



Batterie Li-Ion Ce produit comporte un symbole de « Collecte séparée » de toutes les batteries. Il sera ensuite recyclé ou démantelé, afin de réduire l'impact sur l'environnement. Les batteries peuvent être dangereuses pour l'environnement et la santé humaine, car elles contiennent des substances dangereuses.



Les déchets d'équipements électriques et électroniques ne doivent pas être déposés avec les ordures ménagères. Ils doivent être collectés pour être recyclés dans des centres spécialisés. Consultez les autorités locales ou votre revendeur pour obtenir des renseignements sur l'organisation de la collecte.



Double isolation (Chargeur)



Fusible

INSTRUCTIONS D'UTILISATION



REMARQUE: Avant d'utiliser cet outil, lire attentivement le mode d'emploi.

UTILISATION CONFORME

La machine est destinée au vissage et au desserrage de vis ainsi qu'au perçage dans le bois, le métal, le plastique, la maçonnerie et le béton.

AVANT UTILISATION

1. RECHARGE DES BATTERIES (VOIR FIG. A1 A2)

- N'utilisez aucun autre chargeur que celui spécifiquement prévu pour être utilisé avec l'équipement.
- Si la batterie est très chaude, vous devez retirer votre batterie du chargeur et la laisser refroidir avant de la recharger.
- La batterie de votre nouvel outil n'est pas chargée d'usine. Elle doit donc être complètement chargée avant la première utilisation.
- Veillez recharger la batterie complètement ou au moins à plus de la moitié avant son stockage. Si l'outil ne va pas être utilisé pendant de longues périodes de temps, veuillez charger la batterie tous les 3-6 mois.

RETIRER OU INSTALLER LE BLOC-BATTERIE SUR LE CHARGEUR

Faites glisser la batterie dans le port de batterie du chargeur. Une simple poussée et une légère pression sera suffisante. Appuyez sur la batterie relâchez fermement le bouton d'abord, puis faites glisser la batterie du chargeur.

PROCÉDURE DE RECHARGE

- Brancher le chargeur dans une prise adéquate. Le Lumière est vert.
- Introduisez la batterie dans le chargeur. Le Lumière passe au rouge pour indiquer que le processus de charge a démarré.
- Une fois la charge terminée, Le Lumière repasse au vert. La batterie est désormais rechargée, vous pouvez débrancher le chargeur et en sortir la batterie.

INDICATEUR DE CHARGE

Ce chargeur est conçu pour détecter certains problèmes pouvant toucher les batteries. Les voyants servent à indiquer les problèmes (voir le tableau ci-dessous). Si cela se produit, insérez une batterie neuve pour déterminer si le problème ne vient pas du chargeur. Si la batterie neuve se recharge correctement, cela indique que la batterie d'origine est défectueuse et doit être rapportée dans un centre de réparation ou de recyclage. Si la batterie neuve rencontre le même problème que la batterie d'origine, faites tester le chargeur par un centre de réparation agréé.

Lumière	Etat
Rouge ● ◀▶	Charge en cours
Vert ● █████	Complètement chargée



AVERTISSEMENT: Lorsque la charge de la batterie diminue après utilisation continue ou exposition à la lumière directe du soleil ou à la chaleur, laissez le temps à la batterie de refroidir avant de la recharger pour atteindre la pleine capacité.

2. ENLEVER OU INSTALLER LA BATTERIE (VOIR. B,C)

Efonchez la languette du bloc de batterie pour le dégager et faites-le glisser hors de votre perceuse. Après la recharge, faites-le glisser en place sur votre perceuse. Un simple coulissement et une légère pression seront suffisants.

FUNCTIONNEMENT

1. INTERRUPTEUR DE MARCHE/ARRRET (VOIR. D)

Appuyez sur le bouton pour démarrer l'outil et relâchez-le pour l'arrêter. L'interrupteur marche/arrêt est doté d'une fonction de freinage qui arrête le mandrin dès que l'interrupteur est relâché rapidement.

L'interrupteur marche / arrêt est également un interrupteur à vitesse variable qui délivre une vitesse et un couple d'autant plus élevés que la pression sur la gâchette est importante. La vitesse est contrôlée par la pression exercée sur la gâchette.



AVERTISSEMENT : N'utilisez pas votre machine de façon prolongée à faible vitesse, car il existe un risque de surchauffe interne. En cas de surcharge, relâchez immédiatement le commutateur pour éviter la surchauffe du moteur.

2. SYSTÈME DE VERROUILLAGE DE L'INTERRUPTEUR (VOIR. E)

La gâchette de l'interrupteur peut être verrouillée sur la position arrêt. Cela aide à diminuer les risques de démarrage accidentel lorsque l'outil est inutilisé. Pour verrouiller la gâchette de l'interrupteur, placez la direction du sélecteur de rotation sur la position centrale.

3. INVERSEUR DE SENS DE ROTATION (VOIR. F1, F2)

Rotation vers l'avant : poussez le contrôle de rotation vers l'avant/l'arrière à gauche (les points de forage loin de vous). Il est utilisé pour le forage et la conduite de vis.

Rotation vers l'arrière : poussez le contrôle de rotation vers l'avant/l'arrière à droite (les points de forage loin de vous). Il est utilisé pour enlever les vis ou libérer la perceuse coincée.



AVERTISSEMENT: Ne changez jamais la direction de la rotation lorsque le mandrin tourne, attendez qu'il soit arrêté!

4. TRAIN D'ENGRENAGES A DEUX VITESSES (VOIR. G)

La perceuse possède un train d'engrenages à deux vitesses conçu pour percer à des vitesses basses (1) ou élevées (2). Un interrupteur à glissière est situé en haut de la perceuse pour sélectionner une vitesse basse (1) ou élevée (2). Lors de l'utilisation de la perceuse à une vitesse basse (1), la vitesse diminuera et la perceuse aura une puissance et un couple plus élevés. Lors de l'utilisation de la perceuse à une vitesse élevée (2), la vitesse augmentera et la perceuse aura une puissance et un couple moins élevés.

Vitesse I

Vitesse lente : pour le vissage ou pour les travaux avec une mèche de perçage de grand diamètre.

Vitesse II

Vitesse rapide : pour les travaux avec une mèche de perçage de petit diamètre.



AVERTISSEMENT : Pour éviter d'endommager la boîte de vitesse, attendez toujours que le mandrin soit complètement arrêté avant de changer le sens de rotation ou le train d'engrenages à deux vitesses.

En cas de surcharge se présente fréquemment sur les pièces en haute vitesse, passez à basse vitesse pour éviter la surchauffe du moteur.

5. RÉGLAGE DU MANDRIN (VOIR. H)

Pour ouvrir les mâchoires du mandrin, faites tourner la section frontale du mandrin. Insérez le foret entre les mâchoires du mandrin et faites tourner la section frontale dans le sens inverse. Assurez-vous que le foret est au centre des mâchoires du mandrin. Pour finir, faites tourner fermement la section frontale du mandrin dans des sens opposés. Votre perceuse est maintenant bloquée dans le mandrin.

6. RÉGLAGE DE COUPLE (VOIR. I1- I2)

Le couple est ajusté en tournant la bague de réglage du couple. Le couple est plus important lorsque la bague de réglage du couple est réglée sur un réglage plus élevé. Le couple est inférieur lorsque la bague de réglage du couple est réglée sur un réglage inférieur (Voir Fig. I1).

a. Pour la fonction de vissage

Pour sélectionner la fonction de vissage, tournez le collier de sélection de fonction afin d'aligner le symbole de la vis avec l'indicateur triangulaire sur le dessus du logement de la perceuse (Voir Fig. I2-a).

Pour ajuster le réglage du couple, tournez la bague de réglage du couple pour aligner le numéro de réglage du couple requis avec l'indicateur triangulaire sur le dessus de la perceuse. Plus le nombre est élevé, plus le couple de sortie est élevé.

b. Pour la fonction perçage

REMARQUE : Lors de l'utilisation de la fonction de perçage, le contrôle du couple n'a aucun effet sur la sortie de la perceuse. Pour sélectionner la fonction de perçage, tournez le collier de sélection de fonction de sorte que le symbole du foret s'aligne avec l'indicateur triangulaire sur le dessus du logement de la perceuse (voir Fig. I2-b).

La fonction de perçage est utilisée pour percer des trous dans le métal, les matériaux non ferreux, le bois, le plastique et les matériaux similaires.

c. Pour la fonction marteau

REMARQUE : Lors de l'utilisation de la fonction de perçage à percussion, le contrôle du couple n'a aucun effet sur la sortie de la perceuse.

Pour sélectionner la fonction de marteau, tournez le collier de sélection de fonction de sorte que le symbole de la fonction de marteau s'aligne avec l'indicateur triangulaire sur le dessus du boîtier de la perceuse (voir Fig. I2-c).

Effectuez le réglage comme suit:

	1 - 5 pour enfoncer de petites vis
	6 - 11 pour enfoncer des vis dans des matériaux tendres
	12 - 16 pour enfoncer des vis dans des matériaux tendres et durs
	17 - 22 pour enfoncer des vis dans du bois dur
	23 - 25 pour enfoncer des vis plus grosses
	pour forage lourd
	pour percer dans la maçonnerie et le béton

7. UTILISER L'ÉCLAIRAGE LED

La lumière du viseur vous permet de bien voir dans des conditions de moindre illumination. Pour allumer l'éclairage, appuyez simplement sur le bouton marche/arrêt. Lorsque vous relâchez le bouton marche/arrêt, l'éclairage s'éteint.

8. UTILISATION DU CLIP DE CEINTURE (VOIR FIG. J)

Vissez le clip de ceinture sur l'outil avec la vis. Le clip de ceinture peut être accroché à votre ceinture ou à votre poche, etc.

9. INDICATEUR DE CAPACITÉ DE LA BATTERIE

Votre outil est équipé d'un indicateur de capacité de la batterie. Appuyez sur l'interrupteur de démarrage/arrêt à mi-chemin ou complètement, l'indicateur de capacité de la batterie s'allumera pour afficher la quantité de charge laissée dans la batterie.

Jauge de carburant	Capacité
3 lumières	> 70%
2 lumières	40%~70%
1 lumière	< 40%

10. PERÇAGE

Lors d'opérations de perçage dans des surfaces dures et lisses, utilisez un pointeau pour désigner l'emplacement du trou souhaité. Cela empêchera la mèche de glisser hors du centre lors du début de la réalisation du trou. Maintenez fermement l'outil et placez le bout de la mèche sur la zone à percer. Relâchez la gâchette et démarrez l'outil. Faites bouger la mèche dans la pièce à travailler en appliquant uniquement la pression suffisante pour que la coupe se poursuive. Ne forcez pas ni n'appliquez de force latérale pour allonger le trou.



Les mèches des perceuses en carbure de tungstène doivent toujours être utilisées pour le béton et la maçonnerie. Lors de travaux de perçage dans du métal, utilisez uniquement les mèches HSS en bon état. Utilisez toujours un porte-embout magnétique lors de l'utilisation d'embouts de vissage courts. Lors du vissage, appliquez une petite quantité de savon liquide ou autre produit identique au filetage de vis pour faciliter l'insertion.

11. PROTECTION CONTRE LA SURCHARGE

Une fois en surcharge, le moteur arrive en butée. Relâchez immédiatement la charge sur la machine et laissez refroidir pendant environ 30 secondes à la vitesse la plus élevée à vide.

12. PROTECTION CONTRE LA SURCHARGE EN FONCTION DE LA TEMPÉRATURE

Si vous utilisez l'outil électroportatif conformément à sa conception, il ne peut pas subir de surcharge. Lors d'une sollicitation trop élevée ou lors d'un dépassement de la température d'accu admissible de 75 °C, l'électronique arrête l'outil électroportatif jusqu'à ce que la température se retrouve dans la plage de température de service admissible.

13. PROTECTION DE DÉCHARGE PROFONDE



Grâce au « Discharging Protection System », l'accu à ions lithium est protégé contre une décharge profonde. Lorsque l'accumulateur est déchargé, l'outil électroportatif s'arrête grâce à un dispositif d'arrêt de protection: L'outil de travail ne tourne plus.

RÉSOLUTION DES PROBLÈMES

1. POURQUOI LA MACHINE NE FONCTIONNE PAS LORSQUE J'APPUIE SUR LA GÂCHETTE ?

L'inverseur au-dessus de la gâchette est en position centrale verrouillée. Placez-le à gauche ou à droite, puis appuyez sur la gâchette.

2. POURQUOI LA PERCEUSE S'ARRÊTE AVANT QUE LA VIS SOIT COMPLÈTEMENT SERRÉE ?

Vérifiez la position de la bague de couple située entre le mandrin et le corps de la machine. La position 1 est le couple le plus faible et la position 25 est le couple le plus élevé. La position  est utilisée pour le perçage. La position  est utilisée pour le marteau perforateur. Ajustez la bague sur une valeur plus élevée pour serrer complètement la vis.

3. RAISONS DE DIFFÉRENTS TEMPS DE TRAVAIL DE LA BATTERIE

Les problèmes du temps de chargement et il n'a pas utilisé la batterie pendant une période prolongée, cela permettra de réduire le temps de travail de la batterie. Cela peut être corrigé après les opérations de charge et de décharge en chargeant & utilisant votre pilote. Les conditions de travail lourde telle que les grosse vis sur le bois dur sera utilisé l'énergie de la batterie plus rapide que sous les conditions plus légères. Ne rechargez votre batterie sous 0 °C et sus 40 °C car cela peut affecter la performance.

ENTRETIEN

Retirer la batterie de la scie avant tout ajustement, entretien ou intervention sur la machine.

L'outil motorisé ne requiert pas de graissage ou d'entretien particulier. Il n'y a pas de pièces réparables par l'utilisateur dans cet outil. Ne jamais utiliser d'eau ou de nettoyeurs chimiques pour nettoyer l'outil. Nettoyer avec un chiffon sec. Toujours conserver l'outil motorisé dans un endroit sec. Maintenir les fentes de ventilation du moteur propres. Empêcher que les commandes de marche soient couvertes de sciure. Il est normal que des étincelles soient visibles dans les fentes de ventilation, cela n'endommagera pas l'outil motorisé.

Pour les outils à batterie

La plage de température ambiante pour l'utilisation et le stockage de l'outil et de la batterie est de 0 °C à 45 °C.

La plage de température ambiante recommandée pour le système de recharge au cours de la charge est de 0 °C à 40 °C.

PROTECTION DE L'ENVIRONNEMENT



Les déchets d'équipements électriques et électroniques ne doivent pas être déposés avec les ordures ménagères. Ils sont collectés pour être recyclés dans des centres spécialisés. Consultez les autorités locales ou votre revendeur pour obtenir des renseignements sur l'organisation de la collecte.

DÉCLARATION DE CONFORMITÉ

Nous,
POSITEC Germany GmbH
Postfach 32 02 16, 50796 Cologne, Germany

Déclarons que ce produit,
Description **Perceuse à batterie**
Modèle **WS2419K2 (24-désignation des machines, représentatives de la perceuse à percussion sans fil)**
Fonction **Perçage**

Est conforme aux directives suivantes,
2006/42/EC
2011/65/EU & (EU)2015/863,
2014/30/EU
2014/35/EU
2006/66/EC & 2013/56/EU

Est conforme aux normes,
EN 62841-1
EN 62841-2-1
EN 55014-1
EN 55014-2
EN 60335-1
EN 60335-2-29
EN 62233
EN IEC 61000-3-2
EN 61000-3-3
EN 62133-2

La personne autorisée à compiler le dossier technique,
Nom **Marcel Filz**
Adresse **POSITEC Germany GmbH**
Postfach 32 02 16, 50796 Cologne, Germany



2023/04/04
Allen Ding
Ingénieur en chef adjoint, Essais & Certification
Positec Technology (China) Co., Ltd
18, Dongwang Road, Suzhou Industrial
Park, Jiangsu 215123, P. R. China

ELENCO DEI COMPONENTI

1. Mandrino senza chiave
2. Anello di regolazione della coppia
3. Anello di regolazione martello / avvitamento / perforazione
4. Controllo del cambio a due velocità
5. Controllo rotazione avanti/indietro
6. Clip da cintura
7. Batteria
8. Pulsante di rilascio della batteria
9. Luce principale
10. Impugnatura morbida
11. Interruttore acceso/spento
12. Bit a doppia estremità

DATI TECNICI

Tipo WS2419K2 (designazione 24 del macchinario, rappresentativa del trapano a percussione senza spazzole a batteria)

Volltaggio		18V $\overline{=}$
Nessuna velocità di caricamento		0-450/2000 /min
Tasso di impatto		0-8550/0-36100bpm
Numero di posizioni della frizione		25+1+1
coppia massima		60 Nm
Capacità del mandrino		13mm
Massimo. capacità di perforazione	Acciaio	13mm
	Legna	40mm
	Calcestruzzo	16mm
Peso della macchina (utensile nudo)		1.14kg
Ingresso caricabatterie (WS9969)		100-240V ~ 50/60Hz, 55W
Uscita caricabatterie (WS9969)		20V $\overline{=}$ 2.0A
Classe di protezione del caricabatterie		\square / II
Capacità della batteria (WS9970)		2.0 Ah
Tempo di carica		1 hr

INFORMAZIONI SUL RUMORE

Per trapano	Una pressione sonora ponderata	$L_{PA} = 74$ dB(A)
	Una potenza sonora ponderata	$L_{WA} = 82$ dB(A)
	K_{PA} & K_{WA}	5 dB(A)
Per trapano a percussione	Una pressione	$L_{PA} = 95$ dB(A)
	Una potenza sonora ponderata	$L_{WA} = 103$ dB(A)
	K_{PA} & K_{WA}	5 dB(A)

Indossare protezione per le orecchie.

INFORMAZIONI SULLA VIBRAZIONE

I valori totali di vibrazione (somma vettoriale triassiale) sono determinati secondo lo standard EN 62841:

Foratura su metallo	Valore emissione vibrazioni $a_{h,D} = 1.0 \text{ m/s}^2$
	Incertezza $K = 1.5 \text{ m/s}^2$
Foratura a percussione su cemento	Valore emissione vibrazioni $a_{h,D} = 6.2 \text{ m/s}^2$
	Incertezza $K = 1.5 \text{ m/s}^2$

Il valore totale di emissione di vibrazioni dichiarato e il valore di emissioni sonore dichiarati sono stati misurati in base a un metodo di collaudo standard e possono essere utilizzati per il confronto di un utensile con un altro.

Il valore totale di emissione di vibrazioni dichiarato e il valore di emissioni sonore dichiarato possono anche essere utilizzati in una valutazione preliminare dell'esposizione.



AVVERTENZA: le emissioni di vibrazioni e sonore durante l'uso effettivo dell'elettro utensile possono differire dal valore dichiarato in base alle modalità con cui esso viene utilizzato. In particolare quale tipo di pezzo viene lavorato dipende dai seguenti fattori e da altre variazioni sulle modalità di utilizzo dell'elettro utensile:

Come viene usato l'elettro utensile e quali sono i materiali tagliati o forati.

Le condizioni e la buona manutenzione dell'elettro utensile.

L'uso dell'accessorio corretto per il taglio e la sua affilatura, nonché le sue buone condizioni.

La tenuta della presa sulle impugnature e se vengono utilizzati eventuali accessori antivibrazioni e antirumore.

L'adeguatezza dell'utilizzo dell'elettro utensile rispetto a quanto previsto.

Questo elettro utensile potrebbe causare l'insorgenza della sindrome della vibrazione dell'avambraccio se il suo utilizzo non viene gestito correttamente.



AVVERTENZA: per essere precisi, una stima del livello di esposizione nelle attuali condizioni di utilizzo dovrebbe anche tenere conto di tutte le parti del ciclo operativo, come le volte in cui lo strumento viene spento e il tempo in cui viene lasciato girare a vuoto senza realmente fare il suo lavoro. Questo potrebbe ridurre significativamente il livello di esposizione sul periodo di lavoro totale.

Aiuto a minimizzare il rischio di esposizione alle vibrazioni e al rumore.

Usare sempre scalpelli, trapani e lame affilati.

Conservare questo elettro utensile sempre in conformità a queste istruzioni e mantenerlo ben lubrificato (dove appropriato).

Se l'utensile deve essere utilizzato regolarmente, investire in accessori antivibrazioni e antirumore.

Pianificare il lavoro in modo da suddividere i lavori che implicano le maggiori vibrazioni nell'arco di più giorni.

ACCESSORI

Caricabatterie (WS9969)	1
Batteria (WS9970)	2
Inserti a doppia estremità (PH2 / SL5.5)	1
Clip da cintura	1

Si raccomanda di acquistare tutti gli accessori nello stesso negozio in cui è stato acquistato l'attrezzo. Fare riferimento alla confezione dell'accessorio per altri dettagli. Il personale del negozio può aiutarvi e consigliarvi.

SICUREZZA DEL PRODOTTO

AVVISI GENERALI PER LA SICUREZZA DEGLI UTENSILI A MOTORE



AVVERTENZA: Leggere tutte le avvertenze di sicurezza, le istruzioni, le illustrazioni e le specifiche fornite con questo elettroutensile. La mancata osservanza delle istruzioni elencate di seguito potrebbe provocare una scossa elettrica, un incendio e/o lesioni gravi.

Conservare tutti gli avvisi e le istruzioni per poterli consultare quando necessario.

Il termine «elettrodomestico elettrico» utilizzato di seguito in questo manuale si riferisce a utensili elettrici alimentati dalla rete (con linea di allacciamento), oltre che ad utensili elettrici alimentati a batteria (senza linea di allacciamento).

1. POSTO DI LAVORO

- a) **Mantenere pulito e ordinato il posto di lavoro.** Il disordine e le zone di lavoro non illuminate possono essere fonte di incidenti.
- b) **Evitare d'impiegare l'utensile in ambienti soggetti al rischio di esplosioni nei quali siano presenti liquidi, gas o polveri infiammabili.** Gli utensili elettrici producono scintille che possono incendiare polveri e gas.
- c) **Mantenere lontani i bambini e altre persone durante l'impiego dell'utensile elettrico.** Eventuali distrazioni potranno comportare la perdita di controllo sull'utensile.

2. SICUREZZA ELETTRICA

- a) **La spina elettrica dovrà essere adatta alla presa di corrente.** Evitare assolutamente di apportare modifiche alla spina. Non impiegare spine adattatrici assieme a utensili con collegamento a terra. Le spine non modificate e le prese adatte allo scopo riducono il rischio di scosse elettriche.
- b) **Evitare il contatto fisico con superfici collegate a terra, come tubi, apparecchiature per il riscaldamento, cucine elettriche e frigoriferi.** Nel momento in cui il corpo è messo a massa sussiste un maggior rischio di scosse elettriche.
- c) **Custodire l'utensile al riparo dalla pioggia o dall'umidità.** L'eventuale infiltrazione di acqua in un elettroutensile comporta un aumento del rischio d'insorgenza di scosse elettriche.
- d) **Non usare il cavo di alimentazione per scopi diversi da quelli previsti, al fine di trasportare o appendere l'elettrodomestico, oppure per staccare la spina dalla presa di corrente.** Mantenere l'elettrodomestico al riparo da fonti di calore, olio, spigoli o parti di strumenti in movimento. I cavi danneggiati o aggrovigliati aumentano il rischio d'insorgenza di scosse elettriche.
- e) **Qualora si voglia usare l'utensile all'aperto, impiegare solo ed esclusivamente cavi di prolunga omologati per l'impiego all'esterno.** L'uso di un cavo di prolunga omologato per l'impiego all'esterno riduce il rischio d'insorgenza di scosse elettriche.
- f) **Se si deve utilizzare l'elettrodomestico in un luogo umido, utilizzare una fonte di alimentazione dotata di interruttore differenziale.** L'uso di un interruttore differenziale riduce il rischio di folgorazioni elettriche.

3. SICUREZZA DELLE PERSONE

- a) **È importante concentrarsi su ciò che si sta facendo e maneggiare con giudizio l'elettrodomestico mentre si lavora.**

Non utilizzare l'elettrodomestico quando si è stanchi o sotto l'effetto di alcol, stupefacenti e medicinali. Un attimo di distrazione durante l'uso dell'elettrodomestico potrebbe causare lesioni gravi.

- b) **Indossare sempre dispositivi di protezione individuale, e guanti protettivi.** Se si avrà cura d'indossare equipaggiamento protettivo individuale come una maschera antipolvere, calzature antiscivolo di sicurezza, elmetto o dispositivi di protezione acustica, a seconda dell'impiego previsto per l'elettrodomestico, si potrà ridurre il rischio di lesioni.
 - c) **Evitare l'avviamento involontario. Controllare che l'interruttore sia nella posizione di spegnimento (off) prima di effettuare il collegamento a una fonte di alimentazione/batteria e prima di sollevare o trasportare l'elettrodomestico.** Il fatto di tenere il dito sopra all'interruttore o di collegare l'utensile acceso all'alimentazione di corrente potrebbe essere causa di incidenti.
 - d) **Togliere gli attrezzi di regolazione o la chiave inglese prima di accendere l'elettrodomestico.** Un attrezzo o una chiave inglese che si trovino in una parte della macchina che sta girando può causare lesioni a persone.
 - e) **È importante non sopravvalutarsi.** Avere cura di mettersi in una posizione sicura e di mantenere l'equilibrio. In tal modo sarà possibile controllare meglio la macchina in situazioni inaspettate.
 - f) **Indossare indumenti adeguati.** Evitare di indossare vestiti lenti o gioielli. Tenere i capelli e gli indumenti lontani dalle parti mobili. Vestiti lenti, gioielli o capelli lunghi potrebbero impigliarsi in parti in movimento.
 - g) **Se sussiste la possibilità di montare dispositivi di aspirazione o di captazione della polvere, assicurarsi che gli stessi siano stati installati correttamente e vengano utilizzati senza errori.** L'impiego dei suddetti dispositivi diminuisce il pericolo rappresentato dalla polvere.
 - h) **Non lasciare che la familiarità acquisita con l'utilizzo frequente dell'elettrodomestico si trasformi in autocompiacimento e trascuratezza dei principi di sicurezza.** Un'azione imprudente può causare lesioni gravi entro una frazione di secondo.
- ### 4. MANEGGIO E IMPIEGO ACCURATO DI ELETTROUTENSILI
- a) **Non sovraccaricare l'elettrodomestico.** Impiegare l'elettrodomestico adatto per eseguire il lavoro. Utilizzando l'elettrodomestico elettrico adatto si potrà lavorare meglio e con maggior sicurezza nell'ambito della gamma di potenza indicata.
 - b) **Non utilizzare elettrodomestici con interruttori difettosi.** Un elettrodomestico che non si può più accendere o spegnere è pericoloso e dovrà essere riparato.
 - c) **Staccare la spina dalla presa di corrente e/o rimuovere la batteria, se rimovibile, dall'elettrodomestico prima di effettuare qualsiasi regolazione, sostituire gli accessori o riporre gli utensili elettrici.** Tale precauzione eviterà che la macchina possa essere messa in funzione inavvertitamente.
 - d) **Custodire gli elettrodomestici non utilizzati fuori della portata dei bambini.** Non fare usare l'apparecchio a persone non abituate a farlo o che non abbiano letto le presenti istruzioni. Gli elettrodomestici sono pericolosi se utilizzati da persone inesperte.
 - e) **Eseguire la manutenzione di elettrodomestico e accessori.** Verificare che le parti mobili dell'elettrodomestico funzionino perfettamente e non s'inceppino, che non ci siano pezzi rotti o danneggiati al punto tale da limitare la funzione della macchina stessa. Far riparare le parti danneggiate prima di utilizzare l'elettrodomestico. Numerosi incidenti vengono causati

da elettrotensili la cui manutenzione è stata effettuata in modo poco accurato.

- f) **Mantenere affilati e puliti gli utensili da taglio.** Gli utensili da taglio curati con particolare attenzione e con taglianti affilati s'inceppano meno di frequente e sono più facili da condurre.
- g) **Utilizzare elettrotensili, accessori, attrezzi, ecc. in conformità con le presenti istruzioni e secondo quanto previsto per questo tipo specifico di macchina.** Osservare le condizioni di lavoro e il lavoro da eseguire durante l'impiego. L'impiego di elettrotensili per usi diversi da quelli consentiti potrà dar luogo a situazioni di pericolo.
- h) **Mantenere le impugnature e le superfici di presa asciutte, pulite e prive di olio e grasso.** Le impugnature e le superfici di presa scivolose non permettono l'uso e il controllo sicuri dell'elettrotensile in situazioni impreviste.

5. MANEGGIO E IMPIEGO ACCURATO DELLE BATTERIE

- a) **Caricare la batteria solo ed esclusivamente con i dispositivi di carica consigliati dal produttore.** Per un dispositivo di carica previsto per un determinato tipo di batteria, sussiste pericolo di incendio, se utilizzato con una batteria di tipo diverso.
 - b) **Utilizzare negli elettrotensili elettrici solo ed esclusivamente le batterie previste per tale scopo.** L'uso di batterie di tipo diverso potrebbe dare insorgenza a lesioni a persone e comportare il rischio d'incendi.
 - c) **Tenere la batteria non utilizzata lontano da graffette, monete, chiavi, chiodi, viti o altri oggetti in metallo di piccole dimensioni che potrebbero causare un ponte tra i contatti.** Un eventuale cortocircuito tra i contatti della batteria può dare origine a bruciature o ad incendi.
 - d) **In caso di impiego sbagliato, possono verificarsi fuoriuscite di liquido dalla batteria. Evitarne il contatto.** In caso di contatto casuale, sciacquare con acqua. Qualora il liquido dovesse entrare in contatto con gli occhi, chiedere immediato consiglio a un medico. Il liquido fuoriuscito dalla batteria può causare irritazioni cutanee o bruciature.
 - e) **Non utilizzare una batteria o un elettrotensile danneggiati o modificati.** Le batterie danneggiate o modificate potrebbero manifestare un comportamento imprevedibile con la possibilità di causare un'esplosione o un incendio.
 - f) **Non esporre una batteria o un utensile al fuoco o a temperature elevate.** L'esposizione al fuoco o a una temperatura superiore a 130°C potrebbe provocare un'esplosione.
 - g) **Seguire tutte le istruzioni per la carica e non caricare la batteria o l'elettrotensile a una temperatura che non rientri nell'intervallo di valori specificato nelle istruzioni.** Una ricarica effettuata in maniera scorretta o a una temperatura che non rientra nell'intervallo di valori specificato, potrebbe danneggiare la batteria aumentando il rischio d'incendio.
- ## 6. ASSISTENZA
- a) **Fare riparare l'apparecchio esclusivamente da personale specializzato e solo impiegando pezzi di ricambio originali.** In tal modo potrà essere salvaguardata la sicurezza dell'apparecchio.
 - b) **Non riparare le batterie danneggiate.** Gli interventi di riparazione sulle batterie devono essere eseguiti dal costruttore o da fornitori di assistenza autorizzati.

NORME DI SICUREZZA SUPPLEMENTRI PER IL TRAPANO A PERCUSSIONE A BATTERIA


- 1) **ISTRUZIONI DI SICUREZZA PER TUTTE LE OPERAZIONI**
 - a) **Indossare protezioni per le orecchie con tutti i trapani a percussione.** L'esposizione al rumore può provocare la perdita dell'udito.
 - b) **Qualora si eseguano attività che prevedano il contatto dell'attrezzo con fili elettrici nascosti o con lo stesso cavo di alimentazione, tenere l'utensile da taglio servendosi delle apposite impugnature isolate.** In questo modo, si eviterà il contatto con i fili sotto tensione, impedendo il trasferimento della stessa alle parti metalliche dell'attrezzo ed il conseguente rischio di scossa elettrica per l'operatore.
- 2) **ISTRUZIONI DI SICUREZZA QUANDO SI USANO PUNTE DEL TRAPANO LUNGHE**
 - a) **Non operare mai a una velocità superiore a quella massima della velocità della punta del trapano.** A velocità più elevate, è probabile essere piegata se gli si consente di ruotare liberamente senza toccare il pezzo, con conseguenti lesioni personali.
 - b) **Iniziare sempre la foratura a bassa velocità e con la punta a contatto con il pezzo.** A velocità più elevate, è probabile essere piegata se gli si consente di ruotare liberamente senza toccare il pezzo, con conseguenti lesioni personali.
 - c) **Applicare la pressione solo in linea diretta con la punta e non dare una pressione eccessiva.** Le punte possono piegarsi causando rotture o perdita di controllo, con conseguenti lesioni personali.

ISTRUZIONI PER LA SICUREZZA DEL PACCO BATTERIA

- a) **Non smontare, aprire o strappare le cellule secondarie o il pacco batteria.**
- b) **Non cortocircuitare un pacco batteria.** Non conservare un pacco batteria disordinatamente in una scatola o un cassetto in cui potrebbero cortocircuitarsi tra essi o essere cortocircuitati da altri oggetti metallici. Quando il pacco batteria non è in uso, tenerlo lontano da altri oggetti metallici come graffette, monete, chiavi, chiodi, viti e altri piccoli oggetti metallici, potrebbe avverarsi un collegamento tra i due terminali. Collegare i terminali della batteria potrebbe causare incendi o ustioni.
- c) **Non esporre il pacco batteria a calore o fuoco.** Evitare di conservarli alla luce diretta del sole.
- d) **Non sottoporre il pacco batteria a scosse meccaniche.**
- e) **In caso di perdite da una cellula, evitare che il liquido entri in contatto con la pelle o gli occhi.** In caso di contatto, lavare l'area interessata con abbondante acqua e consultare un medico.
- f) **Tenere le cellule e il pacco batteria puliti e asciutti.**
- g) **Pulire i terminali delle cellule e del pacco batteria con un panno pulito e asciutto nel caso in cui si sporchino.**
- h) **Il pacco batteria deve essere caricato prima dell'uso.** Utilizzare sempre il caricatore corretto e consultare le istruzioni.
- i) **Non lasciare un pacco batteria in carica se non in uso.**
- j) **Dopo lunghi periodi di conservazione, potrebbe essere necessario caricare e scaricare le cellule o il pacco batteria**

- diverse volte per ottenere le massime prestazioni.
- k) Ricaricare solo con il caricatore specificato da WESCO. Non utilizzare caricatori diversi da quelli forniti per l'uso specifico con l'apparecchiatura.
- l) Non utilizzare un pacco batteria non progettato per l'uso con l'apparecchiatura.
- m) Tenere il pacco batteria fuori dalla portata dei bambini.
- n) Conservare i documenti originali del prodotto per riferimenti futuri.
- o) Rimuovere la batteria dall'apparecchiatura, se non in uso.
- p) Smaltire adeguatamente.
- q) Non mischiare batterie di diverse marche, capacità, dimensioni o tipologia nello stesso dispositivo.
- r) Protégez la batterie des micro-ondes et des hautes pressions.
- s) **Attenzione! Non utilizzare batterie non ricaricabili.**

INDICAZIONI DI SICUREZZA PER CARICABATTERIA

 **AVVERTENZA:** Leggere tutte le avvertenze per la sicurezza e tutte le istruzioni. Eventuali errori nell'adempiimento delle istruzioni qui di seguito riportate potranno causare scosse elettriche, incendi e/o lesioni gravi.

Conservare tutti gli avvisi e le istruzioni per poterle consultare quando necessario.

L'apparecchio può essere usato da bambini da 8 anni in su e persone con ridotte capacità fisiche, sensoriali o mentali, o con mancanza di esperienza e conoscenza, se sono sotto la supervisione o seguono le istruzioni sull'uso dell'apparecchio in modo sicuro e comprendono i possibili rischi. I bambini non devono giocare con l'apparecchio. La pulizia e la manutenzione non devono essere fatte dai bambini senza supervisione. Se il cavo d'alimentazione è danneggiato, deve essere sostituito dal produttore, il suo distributore o persona egualmente qualificata per evitare pericoli.

ALTRE ISTRUZIONI PER LA SICUREZZA DEL CARICABATTERIE

- Prima di effettuare la carica delle batterie leggere le istruzioni.
- Non caricare batterie con perdita di elettroliti.
- Non utilizzare caricatori per operazioni diversi da quelli per i quali sono stati realizzati.
- Collegare il caricatore solo ad alimentazione CA.
- Solo uso interno, non esporre alla pioggia o all'acqua.
- Il caricatore deve essere protetto dall'umidità.
- Non usare il caricatore all'esterno.
- Non cortocircuitare i contatti della batteria o del caricatore.
- Rispettare la polarità "+/-" durante la ricarica.
- Non aprire l'apparecchiatura. Tenerla fuori dalla portata dei bambini.
- Non ricaricare le batterie di altri costruttori.
- Verificare che il collegamento tra caricabatteria e la batteria sia posizionato in modo corretto, e che non ci siano corpi estranei.
- Evitare che le aperture di ventilazione del caricabatterie siano ostruite da oggetti. Proteggere la macchina da polvere e umidità. Riporre il caricabatterio in un luogo asciutto e temperato.
- Durante la ricarica delle batterie, verificare che il

caricabatterie si trovi in un'area ben ventilata e distante da materiali infiammabili. Le batterie possono scaldarsi durante la ricarica. Non lasciare incustoditi batterie e caricatori durante la ricarica.

- Non ricaricare batterie che non siano ricaricabili, perché potrebbero surriscaldarsi ed esplodere.
- Una maggior durata nel tempo e prestazioni migliori possono essere ottenute se le batterie vengono caricate a una temperatura dell'aria compresa tra i 18 °C e i 24°C. Non caricare le batterie a temperature inferiori a 0°C o superiori a 40°C. Questo dettaglio è importante in quanto può evitare danni seri alle batterie.
- Caricare solo pacchi batterie del modello fornito o raccomandato da WESCO.

SIMBOLI



Per ridurre il rischio di lesioni, l'utente deve leggere il manuale di istruzioni.



Attenzione



Indossare protezione per le orecchie



Indossare protezione per gli occhi



Indossare una mascherina antipolvere



Solo uso interno (Caricabatteria)



Leggere il manuale



Se smaltite in maniera scorretta, le batterie potrebbero entrare nel ciclo dell'acqua, con conseguenti rischi per l'ambiente. Non smaltire le batterie esaurite nei rifiuti generici.



Non bruciare



Terminale positivo



Terminale negativo



Batteria agli ioni di litio (Li-Ion). Questo prodotto è stato contrassegnato con un simbolo riguardante la raccolta differenziata per tutti i pacchi batteria. La batteria sarà poi riciclata o demolita allo scopo di ridurre l'impatto ambientale. I pacchi batteria possono costituire un pericolo per l'ambiente e per la salute umana in quanto contengono sostanze pericolose.



I prodotti elettrici non possono essere gettati tra i rifiuti domestici. L'apparecchio da rottamare deve essere portato al centro di riciclaggio per un corretto trattamento. Controllare con le autorità locali o con il rivenditore per localizzare il centro di riciclaggio più vicino.



Double isolation (Caricabatteria)



Fusibile

ISTRUZIONI DI FUNZIONAMENTO



NOTA: Leggere scrupolosamente il manuale delle istruzioni prima di usare l'attrezzo.

USO CONFORME ALLE NORME

La macchina è destinata all'avvitamento e all'allentamento di viti nonché alla foratura di legno, metallo, plastica, muratura e calcestruzzo.

PRIMA DEL FUNZIONAMENTO

1. CARICARE LA BATTERIA (VEDERE FIGURA. A1 A2)

- Non utilizzare i caricabatterie diversi da quelli specificatamente designati per l'utensile.
- Se il pacco batteria è molto caldo, dovere rimuovere il pacco batteria dal caricabatteria e attendere che la batteria si raffreddi prima di ricaricarla.
- La batteria del nuovo utensile non viene caricata quando lascia l'impianto. Pertanto deve essere completamente carico prima di utilizzare la prima volta.
- Caricare la batteria per raggiungere la carica completa prima della conservazione. Se non si utilizza l'utensile a lungo, caricare la batteria ogni 3-6 mesi.

RIMOZIONE O INSTALLAZIONE DEL PACCO BATTERIA SUL CARICABATTERIE

Far scorrere la batteria nella porta della batteria del caricabatteria. Una semplice spinta e sarà sufficiente una leggera pressione. Premere il pacco batteria pulsante di rilascio saldamente prima e poi far scorrere il pacco batteria verso l'esterno dal caricatore.

PROCEDURA DI RICARICA

- Collegare il caricabatteria a una presa di corrente appropriata. L'indicatore diventerà verde.
- Fare scorrere il gruppo batteria nel caricabatteria; l'indicatore diventerà rosso, a indicare che il processo di ricarica è in corso.

- Quando la ricarica è terminata, l'indicatore diventerà verde. Il gruppo batteria è ora completamente carico; scollegare il caricabatteria e rimuovere il gruppo batteria.

INDICATORE DI CARICA

Questo caricabatteria è progettato per rilevare eventuali problemi del gruppo batteria, segnalati dalle spie (v. tabella sottostante). In tal caso, inserire un nuovo gruppo batteria per determinare se il caricabatteria è in buono stato. Se il nuovo gruppo batteria si ricarica correttamente, allora il gruppo caricabatteria originale è difettoso e deve essere portato presso un centro di assistenza o di riciclaggio. Se il nuovo gruppo batteria riporta lo stesso problema del gruppo batteria originale, fare ispezionare il caricabatteria presso un centro di assistenza autorizzato.

Spia	Stato
Rossa accesa	Ricarica in corso
Verde accesa	Ricarica completa



ATTENZIONE: Se la batteria viene caricata dopo un uso prolungato o dopo l'esposizione diretta alla luce solare o al calore, lasciare del tempo affinché la batteria si raffreddi prima della ricarica per ottenere la carica completa.

2. IMMOZIONE E INSTALLAZIONE DELL'UNITÀ BATTERIA (VEDERE FIGURA. B, C)

Premere il rilascio del pacco batteria per rimuoverlo dal trapano. Dopo la ricarica far scorrere la batteria attraverso la porta della batteria del trapano. Sarà sufficiente una leggera pressione.

FUNZIONAMENTO

1. INTERRUOTTORE ACCENSIONE/SPEGNIMENTO (VEDERE FIGURA. D)

Premere il tasto per azionare il trapano e rilasciarlo per arrestarlo. Il tasto on/off è dotato di una funzione freno che arresta immediatamente il mandrino se si rilascia velocemente il tasto. Questa funzione risulta molto utile nel caso di avvittamento/sviamento.

È anche un interruttore di velocità variabile che fornisce maggiore velocità e torsione come si aumenta la pressione dell'interruttore. La velocità è controllata dalla quantità di pressione dell'interruttore.



Attenzione: Non usare per periodi prolungati a bassa velocità perché internamente si crea un calore eccessivo. In caso di sovraccarico, rilasciare immediatamente l'interruttore On Off per evitare il surriscaldamento del motore.

2. TASTO ON/OFF CON FUNZIONE FRENO (VEDERE FIGURA. E)

Premere il tasto per azionare il trapano e rilasciarlo per arrestarlo. Il tasto on/off è dotato di una funzione freno che arresta immediatamente il mandrino se si rilascia velocemente il tasto. Questa funzione risulta molto utile nel caso di avvittamento/sviamento.

3. INVERSIONE DELLA ROTAZIONE (VEDERE FIGURA. F1, F2)

Rotazione in avanti: spingere il controllo di rotazione in avanti/indietro verso la sinistra (tenere il trapano lontano da te). Si utilizza per la perforazione e l'avvitamento.

Rotazione inversa: spingere il comando di rotazione avanti / indietro verso destra (il trapano punta lontano da te). Si utilizza per rimuovere

le viti o rilasciare l'inceppata punta da trapano.



ATTENZIONE: Non cambiare mai il senso di rotazione durante la rotazione del mandrino, attendere l'arresto!

4. CAMBIO A DUE VELOCITÀ (VEDERE FIGURA. G)

Il trapano possiede un cambio a due velocità per trapanare ed avvitare a basse velocità LO (segno 1) o alte velocità HI (segno 2). Sopra il trapano è presente un tasto mobile per la selezione di bassa LO o alta HI velocità. In modalità bassa velocità (LO), la velocità si riduce e conseguentemente aumenta la coppia del trapano cioè la forza di avvitamento. In modalità alta velocità (HI) si ottiene un aumento della velocità ma una riduzione della coppia del trapano, cioè della forza di avvitamento.

Velocità I

Velocità bassa: per funzione avvitatore o per fori di grande diametro.

Velocità II

Velocità alta: per fori di piccolo diametro.



Attenzione: Per evitare guasti al cambio, permettere al mandrino di arrestarsi completamente prima di modificare la direzione di rotazione o azionare il cambio velocità.

In caso di sovraccarico spesso sul rapporto ad alta velocità, passare al rapporto a bassa velocità per evitare il surriscaldamento del motore.

5. REGOLAZIONE DEL MANDRINO (VEDERE FIGURA. H)

Per aprire le ganasce del mandrino, ruotare la corona esterna del mandrino. Inserire la punta del trapano tra le ganasce del mandrino e ruotare la corona esterna in direzione opposta. Assicurarsi che la punta del trapano sia inserita esattamente tra le ganasce del mandrino. Ruotare infine la corona in un verso e nell'altro. La punta del trapano è ora bloccata saldamente nel mandrino.

6. REGOLAZIONE DELLA COPPIA (VEDERE FIGURA. I1-I2)

La coppia viene regolata ruotando l'anello di regolazione della coppia. La coppia è maggiore quando l'anello di regolazione della coppia è impostato su un'impostazione più alta. La coppia è inferiore quando l'anello di regolazione della coppia è impostato su un'impostazione inferiore (vedere Fig. I1).

a. Per la funzione di avvitamento

Per selezionare la funzione di avvitatura, ruotare il collare di selezione della funzione in modo da allineare il simbolo della vite con l'indicatore triangolare sulla parte superiore dell'alloggiamento della punta (Vedi Fig. I2-a).

Per regolare l'impostazione della coppia, ruotare l'anello di regolazione della coppia per allineare il numero di impostazione della coppia richiesto con l'indicatore triangolare sulla parte superiore del trapano. Maggiore è il numero, maggiore è la coppia di uscita.

b. Per la funzione di foratura

NOTA: quando si utilizza la funzione di foratura, il controllo della coppia non ha alcun effetto sull'uscita della punta.

Per selezionare la funzione di foratura, ruotare il collare di selezione della funzione in modo che il simbolo della punta del trapano sia allineato con l'indicatore triangolare sulla parte superiore dell'alloggiamento della punta (vedere Fig. I2-b).

La funzione di foratura viene utilizzata per eseguire fori su metallo, materiali non ferrosi, legno, plastica e materiali simili.

c. Per la funzione martello

NOTA: quando si utilizza la funzione di perforazione a percussione, il controllo della coppia non ha alcun effetto sull'uscita del trapano. Per selezionare la funzione del martello, ruotare il collare di selezione della funzione in modo che il simbolo della funzione del martello sia allineato con l'indicatore triangolare sulla parte superiore dell'alloggiamento della punta (vedere Fig. I2-c). Eseguire le impostazioni come segue:

	1 - 5 per avvitare piccole viti
	6 - 11 per avvitare le viti nel materiale morbido
	12 - 16 per inserire viti in materiale morbido e duro
	17 - 22 per avvitare viti nel legno duro
	23 - 25 per avvitare viti più grandi
	per perforazioni pesanti
	per forare muratura e calcestruzzo

7. LUCE FRONTALE

La luce laterale consente di mantenere una chiara veduta in condizioni di scarsa illuminazione. Premere l'interruttore d'accensione/spengimento per usare la luce. Quando si rilascia l'interruttore d'accensione/spengimento, la luce si spegne.

8. UTILIZZARE CHIUSURA DELLA CINTURA (VEDERE FIGURA. J)

Avvitare la clip della cintura sullo strumento con la vite. La chiusura da cintura può essere agganciata alla cintura o alla tasca, ecc.

9. INDICATORE DI CAPACITÀ DELLA BATTERIA

L'utensile è dotato di indicatore di capacità della batteria. Premere l'interruttore on/off a metà o fino in fondo, l'indicatore della capacità della batteria si illuminerà per mostrare la quantità di carica rimasta nella batteria.

Indicatore livello carburante	Capacità
3 luci	> 70%
2 luci	40%~70%
1 luce	< 40%

10. PERFORAZIONE

Se si deve effettuare una perforazione in una superficie dura liscia, utilizzare un punzone per segnare il punto desiderato. In questo modo si evita che la punta del trapano scivoli sulla superficie prima di eseguire il buco. Tenere fermo il trapano e collocare l'estremità della punta nel punto da perforare. Premere il tasto a scatto per avviare la perforazione. Muovere la punta all'interno del buco, esercitando la pressione necessaria per mantenere la punta nel punto desiderato. Non forzare l'introduzione della punta o esercitare pressioni laterali per allargare il buco.



Le punte da trapano in carburo di tungsteno dovrebbero essere utilizzate per cemento e calcestruzzo. Per perforare il metallo, utilizzare punte da trapano in acciaio HSS in buone condizioni. Utilizzare sempre un porta punta magnetico (non incluso) quando si impiegano punte avvitatrici corte. Quando si utilizza il trapano per avvitare, applicare un po' di sapone o prodotto alla filettatura delle viti per facilitarne l'inserimento nel materiale.

11. PROTEZIONE DA SOVRACCARICO

Quando è sovraccarico, il motore si ferma. Togliere immediatamente il carico dalla macchina e lasciarla raffreddare per circa 30 secondi facendola andare alla velocità massima.

12. PROTEZIONE TERMOSENSIBILE CONTRO SOVRACCARICHI

In caso di uso corretto non è possibile sottoporre l'elettrotensile a carico eccessivo. In caso di carico eccessivo oppure di superamento della temperatura ammessa della batteria ricaricabile pari a 75 °C il sistema elettronico spegne l'elettrotensile fino a quando non avrà di nuovo raggiunto il campo di temperatura ottimale per l'esercizio.

13. PROTEZIONE CONTRO LO SCARICAMENTO TOTALE

La batteria ricaricabile agli ioni di litio non è protetta dalla «Discharging Protection System» contro lo scaricamento completo. In caso di batteria scarica l'elettrotensile si spegne attraverso un interruttore automatico: Il portautensile od accessorio non si muove più.

SOLUZIONE DI PROBLEMI

1. PERCHÉ IL TRAPANO NON FUNZIONA QUANDO LO ACCENDO?

Il regolatore di rotazione normale e inversa, situato sopra l'apposito tasto a scatto è posizionato nella funzione di blocco. Attivare la funzione di rotazione richiesta, spostando la levetta nella relativa direzione. Premere nuovamente il tasto e il trapano inizierà a ruotare.

2. IL TRAPANO SI ARRESTA PRIMA CHE LA VITE SIA COMPLETAMENTE AVVITATA. PERCHÉ?

Controllare la posizione della coppia (forza di avvitamento) sull'anello di regolazione, situato tra il mandrino e il corpo del trapano. La posizione 1 indica la coppia più bassa, mentre la posizione 25 indica quella più alta. La posizione 25 è solamente per le perforazioni. La posizione 1 è solamente per le percussione. Regolare l'anello della coppia impostandolo su una posizione più alta rispetto a quella attuale, per ottenere il risultato voluto.

3. MOTIVI PER DIVERSE DURATA DEL PACCO BATTERIA

I problemi di ricarica e il mancato utilizzo della batteria a lungo ridurranno la durata della batteria. Questo può essere corretto dopo qualche operazione di carica e scarica attraverso carica & funzionamento con il tuo elemento motore. Nella condizione di lavoro pesante come avvitare le viti di grandi dimensioni in legno duro consumano più velocemente l'energia del pacco batteria che nella condizione di lavoro più leggera. Non ricaricare la batteria alla temperatura sotto di 0 °C e sopra di 40 °C, il che influirà sulle prestazioni.

MANUTENZIONE

Togliere l'unità batteria dal trapano a percussione prima di procedere con eventuali interventi.

L'attrezzo non richiede di lubrificazione o manutenzione aggiuntiva. All'interno dell'attrezzo non ci sono parti riparabili da parte dell'utente. Non usare mai acqua o detergenti chimici per pulire l'attrezzo. Pulire con un panno asciutto. Immagazzinare sempre gli attrezzi elettrici in luoghi asciutti. Tenere pulite le aperture di ventilazione del motore. Tenere puliti dalla polvere tutti i controlli operativi. La formazione di scintille all'interno delle aperture di ventilazione, è un fenomeno normale che non crea danni all'attrezzo.

Per gli utensili a batteria

La temperatura ambientale raccomandata per l'uso e la conservazione dell'utensile e della batteria è di 0 °C-45 °C. La temperatura ambientale raccomandata per il caricabatterie durante la carica è di 0 °C-40 °C.

TUTELA AMBIENTALE



I prodotti elettrici non possono essere gettati tra i rifiuti domestici. L'apparecchio da rottamare deve essere portato al centro di riciclaggio per un corretto trattamento. Controllare con le autorità locali o con il rivenditore per localizzare il centro di riciclaggio più vicino.

DICHIARAZIONE DI CONFORMITÀ

Noi,
POSITEC Germany GmbH
Postfach 32 02 16, 50796 Cologne, Germany

Dichiaro che l'apparecchio,
Descrizione **Trapano a batteria**
Codice **WS2419K2 (24 designazione del macchinario, rappresentativo del trapano a percussione a batteria)**
Funzione **Perforazione**

È conforme alle seguenti direttive,
2006/42/EC
2011/65/EU & (EU)2015/863,
2014/30/EU
2014/35/EU
2006/66/EC & 2013/56/EU

Conforme a,
EN 62841-1
EN 62841-2-1
EN 55014-1
EN 55014-2
EN 60335-1
EN 60335-2-29
EN 62233
EN IEC 61000-3-2
EN 61000-3-3
EN 62133-2

Il responsabile autorizzato alla compilazione della documentazione tecnica,

Nome **Marcel Filz**
Indirizzo **POSITEC Germany GmbH**
Postfach 32 02 16, 50796 Cologne, Germany






2023/04/04
Allen Ding
Vice capo ingegnere, testing e certificazione
Positec Technology (China) Co., Ltd
18, Dongwang Road, Suzhou Industrial
Park, Jiangsu 215123, P. R. China

LISTA DE COMPONENTES

1. Portabrocas sin llave
2. Anillo de ajuste de par
3. Martillo / atornillado / anillo de ajuste de perforación
4. Control de marchas de dos velocidades
5. Control de rotación de avance/retroceso
6. Presilla para el cinturón
7. Paquete de batería
8. Botón de liberación de la batería
9. Luz llevada
10. Mango de agarre suave
11. Interruptor de encendido/apagado
12. Brocas de doble punta

CARACTERÍSTICAS TÉCNICAS

Tipo WS2419K2 (24 designaciones de maquinaria, representante del taladro percutor inalámbrico sin escobillas)

Voltaje		18V 
Sin velocidad de carga		0-450/2000 /min
Tasa de impacto		0-8550/0-36100bpm
Número de posiciones de embrague		25+1+1
Par máximo		60 Nm
Capacidad de mandril		13mm
Máx. capacidad de perforación	Acero	13mm
	Madera	40mm
	Concreto	16mm
Peso de la máquina (herramienta desnuda)		1.14kg
Entrada del cargador (WS9969)		100-240V ~ 50/60Hz, 55W
Salida del cargador (WS9969)		20V  2.0A
Clase de protección del cargador		 / II
Capacidad de la batería (WS9970)		2.0 Ah
Tiempo de carga		1 hr

INFORMACIÓN SOBRE EL RUIDO

para taladro	Una presión sonora ponderada	$L_{PA} = 74 \text{ dB(A)}$
	Una potencia de sonido ponderada	$L_{WA} = 82 \text{ dB(A)}$
	$K_{PA} & K_{WA}$	5 dB(A)
Para taladro de impacto	Una presión sonora ponderada	$L_{PA} = 95 \text{ dB(A)}$
	Una potencia de sonido ponderada	$L_{WA} = 103 \text{ dB(A)}$
	$K_{PA} & K_{WA}$	5 dB(A)

Utilice protección auditiva.

INFORMACIÓN SOBRE LAS VIBRACIONES

Valores totales de vibración (suma vectorial triangular) determinados según la norma EN 62841:

Taladrado en metal	Valor de emisión de vibración $a_{h,D} = 1.0 \text{ m/s}^2$
	Incertidumbre $K = 1.5 \text{ m/s}^2$
Taladrado de impacto en hormigón	Valor de emisión de vibración $a_{h,10} = 6.2 \text{ m/s}^2$
	Incertidumbre $K = 1.5 \text{ m/s}^2$

El valor total de vibraciones declarado y el valor de emisiones acústicas declarado se han medido de conformidad con un método de prueba estándar y pueden utilizarse para realizar comparaciones entre herramientas.

El valor total de vibraciones declarado y el valor de emisiones acústicas declarado también pueden utilizarse en una evaluación preliminar de la exposición.



ADVERTENCIA: Las vibraciones y las emisiones acústicas que se producen durante el uso de la herramienta eléctrica pueden variar respecto a los valores declarados en función de cómo se utilice la herramienta, especialmente dependiendo del tipo de pieza de trabajo que se procese y de otras formas de usar la herramienta:

Cómo se utiliza la herramienta y se cortan o perforan los materiales.

Si la herramienta se encuentra en buenas condiciones de mantenimiento.

Si se utiliza el accesorio correcto para la herramienta y se garantiza que está afilado y en buenas condiciones.

La firmeza de sujeción de las empuñaduras, y el uso de accesorios para reducir las vibraciones y el ruido.

Y si la herramienta se utiliza según su diseño y estas instrucciones.

Esta herramienta podría causar síndrome de vibración del brazo y la mano si no se utiliza correctamente.



ADVERTENCIA: Para conseguir una mayor precisión, debe tenerse en cuenta una estimación del nivel de exposición en condiciones reales de todas las partes del ciclo de uso, como los tiempos durante los que la herramienta está apagado o cuando está en funcionamiento pero no está realizando ningún trabajo. Ello podría reducir notablemente el nivel de exposición sobre el periodo de carga total. Minimización del riesgo de exposición a las vibraciones y el ruido.

Utilice SIEMPRE cinceles, brocas y cuchillas afiladas.

Mantenga esta herramienta de acuerdo con estas instrucciones y bien lubricada (si es necesario).

Si la herramienta se va a utilizar de forma habitual, se recomienda adquirir accesorios para reducir las vibraciones y el ruido.

Planifique su programa de trabajo para distribuir el uso de la herramienta a lo largo de varios días.

ACCESORIOS

Cargador (WS9969)	1
Paquete de batería (WS9970)	2
Puntas de dos puntas (PH2 / SL5.5)	1
Pinza de cinturón	1

Recomendamos que adquiera todos sus accesorios en el mismo comercio donde compró la herramienta. Consulte los estuches de los accesorios para más detalles. El personal del comercio también puede ayudar y aconsejar.

SEGURIDAD DEL PRODUCTO

ADVERTENCIAS DE SEGURIDAD GENERALES

SOBRE HERRAMIENTAS ELÉCTRICAS



ADVERTENCIA: Lea todas las advertencias de seguridad, instrucciones, ilustraciones y especificaciones que acompañan a esta herramienta eléctrica. Si no se respetan todas las instrucciones que se indican abajo, podría producirse una descarga eléctrica, un incendio o alguien podría resultar herido de gravedad.

Conserve todas las advertencias e instrucciones para futuras consultas.

El término "herramienta eléctrica" en todas las advertencias siguientes corresponde a la herramienta eléctrica con o sin cable.

1) ZONA DE TRABAJO

- a) **Mantener su lugar de trabajo limpio y bien iluminado.** Bancos de trabajo desordenados y lugares oscuros invitan a los accidentes.
- b) **No utilizar herramientas eléctricas en atmósferas explosivas, como por ejemplo en presencia de líquidos inflamables, gases o polvo.** Las herramientas eléctricas crean chispas que pueden encender el polvo o los vapores.
- c) **Mantener alejados a los niños y visitantes mientras opera una herramienta eléctrica.** Las distracciones pueden hacerle perder el control.

2) SEGURIDAD ELÉCTRICA

- a) **Los enchufes de la herramienta eléctrica deben encajar perfectamente en el tomacorriente.** Nunca modificar el enchufe de ninguna manera. No utilizar adaptadores con herramientas eléctricas conectadas a tierra. Los enchufes no modificados y los que encajan perfectamente en el tomacorriente reducirán el riesgo de descarga eléctrica.
- b) **Evitar el contacto del cuerpo con superficies conectadas a tierra tales como caños, radiadores, cocinas y heladeras.** Existe un riesgo creciente de descarga eléctrica si su cuerpo queda conectado a tierra.
- c) **No exponer las herramientas eléctricas a la lluvia y no guardar en lugares húmedos.** El agua que penetra en ellas aumentará el riesgo de una descarga eléctrica.
- d) **No abusar del cable.** Nunca utilizar el cable para transportar, tirar o desencharar la herramienta eléctrica. Mantener el cable alejado del calor, del aceite, de bordes agudos o piezas móviles. Los cables dañados o enredados aumentan el riesgo de descarga eléctrica.
- e) **Cuando utilice su herramienta eléctrica al aire libre, emplear un prolongador apto para uso en exteriores.** El empleo de cables para uso al aire libre reduce el riesgo de descarga eléctrica.
- f) **Si es necesario utilizar la herramienta motorizada en un lugar muy húmedo, utilice una fuente de alimentación con dispositivo de corriente residual (RCD).** El uso de un RCD reduce el riesgo de descarga eléctrica.

3) SEGURIDAD PERSONAL

- a) **Mantenerse alerta, poner atención en lo que está haciendo y utilice el sentido común mientras opera una herramienta eléctrica.** No emplear la herramienta cuando se encuentre cansado o bajo la influencia de drogas, alcohol o medicación. Un momento de falta de

atención durante el manejo de herramientas eléctricas puede dar lugar a daños corporales serios.

- b) **Utilizar equipo de seguridad. Usar siempre protección ocular.** Equipo de seguridad como máscaras contra el polvo, zapatos antideslizantes de seguridad, sombrero o protección auditiva para condiciones apropiadas reducirá daños corporales.
- c) **Evite el arranque accidental. Asegúrese de que el interruptor se encuentra desactivado antes de enchufar la máquina o colocar la batería, al tomar la herramienta o transportarla.** Transportar herramientas con el dedo en el interruptor o enchufar la herramienta cuando el interruptor está encendido invitan a los accidentes.
- d) **Retire llaves de ajuste o llaves inglesas antes de poner la herramienta en funcionamiento.** Una llave que queda unida a una pieza móvil de la herramienta puede originar daños corporales.
- e) **No extralimitarse. Mantenerse firme y con buen equilibrio en todo momento.** Esto permite un mejor control de la herramienta en situaciones inesperadas.
- f) **Vestirse apropiadamente. No usar ropa suelta ni alhajas.** Mantenga el pelo, la ropa y los guantes alejados de las piezas en movimiento. La ropa suelta, las alhajas o el cabello largo pueden ser atrapados por las piezas móviles.
- g) **Si se proporcionan dispositivos para la extracción y recolección de polvo, asegurarse de que estos estén conectados y utilizados correctamente.** El uso de estos dispositivos puede reducir peligros relacionados con el polvo.
- h) **No permita que el hecho de estar familiarizado con el uso de herramientas le haga volverse descuidado o ignorar las normas de seguridad.** La falta de atención puede provocar heridas graves en una fracción de segundo.

4) MANTENIMIENTO DE LA HERRAMIENTA MOTORIZADA

- a) **No forzar la herramienta eléctrica. Utilizar la herramienta eléctrica correcta para su aplicación.** La herramienta eléctrica correcta hará el trabajo mejor y más seguro a la velocidad para la cual fue diseñada.
- b) **No utilizar la herramienta eléctrica si el interruptor no la enciende o apaga.** Cualquier herramienta eléctrica que no pueda ser controlada con el interruptor es peligrosa y debe ser reparada.
- c) **Desconecte la clavija de la fuente de alimentación o extraiga la batería (si es desmontable) de la herramienta eléctrica antes de realizar cualquier ajuste, cambiar los accesorios o guardar la herramienta.** Tales medidas de seguridad preventivas reducen el riesgo de arranque accidental de la herramienta.
- d) **Mantener las herramientas eléctricas que no usa fuera del alcance de los niños y no permita que personas no familiarizadas con la herramienta o con estas instrucciones maneje la herramienta eléctrica.** Las herramientas eléctricas son peligrosas en manos de usuarios inexpertos.
- e) **Realice un mantenimiento adecuado de las herramientas eléctricas y sus accesorios.** Comprobar si hay desalineamiento o atascamiento de piezas móviles, rotura de piezas en general y cualquier otra condición que pueda afectar la operación normal de la herramienta. Si se verifican daños, recurra a un servicio calificado antes de volver a usar la herramienta. Las herramientas mal mantenidas causan muchos accidentes.
- f) **Mantener las piezas de corte limpias y afiladas.** Puesto que son menos probables de atascarse y más fáciles de

controlar.

- g) Utilizar la herramienta eléctrica, accesorios y brocas etc., de acuerdo con estas instrucciones y de la manera prevista para el tipo particular de herramienta eléctrica, teniendo en cuenta las condiciones de trabajo y el trabajo a ser realizado. *El uso de la herramienta eléctrica para otras operaciones distintas de lo previsto podría dar lugar a una situación peligrosa.*
- h) Mantenga las empuñaduras y las superficies de agarre secas, limpias y sin aceite ni grasa. *Una empuñadura o una superficie de agarre resbaladiza dificultan la correcta manipulación y el control de la herramienta en situaciones imprevistas.*

5) UTILIZACIÓN Y MANTENIMIENTO DE LA BATERÍA

- a) Recargar solamente con el cargador indicado por el fabricante. *Un cargador adaptado a un tipo de batería podría crear un riesgo de incendio si se utiliza con una diferente batería.*
- b) Utilizar las herramientas eléctricas solamente con baterías especialmente adaptadas. *La utilización de cualquier otra batería podría causar un riesgo de incendio o herida.*
- c) Cuando la batería no está en uso, tenerla lejos de los objetos metálicos como los trombones, las piezas de moneda, las llaves, los clavos, los tornillos, o cualquier otro pequeño objeto metálico susceptibles de establecer una conexión de un terminal a otra. *El cortocircuito de un terminal a otra puede causar quemaduras o un incendio.*
- d) Hay una fuga de líquido de la batería. Evitar todo contacto. Si entre accidentalmente en contacto con este líquido, lavar con agua limpia. En caso de contacto con los ojos, consultar a un médico. *El líquido presente en las baterías puede causar irritaciones o quemaduras.*
- e) No utilice una batería o una herramienta que estén dañadas o hayan sido modificadas. *Las baterías dañadas y modificadas pueden comportarse de forma imprevisible y provocar un incendio, una explosión o herir a alguien.*
- f) No arroje una batería o herramienta al fuego ni las exponga a una temperatura excesiva. *La exposición al fuego y a temperaturas superiores a 130 °C puede provocar una explosión.*
- g) Respete todas las instrucciones de carga y no cargue la batería o la herramienta fuera del rango de temperatura especificado en las instrucciones. *Una carga inadecuada o a una temperatura fuera del rango especificado puede ocasionar daños en la batería y aumentar el riesgo de incendio.*

6) REPARACIÓN

- a) Permitir que el mantenimiento de su herramienta eléctrica sea efectuado por una persona calificada usando solamente piezas de recambio idénticas. *Esto es primordial para mantener la seguridad de la herramienta eléctrica.*
- b) No intente reparar nunca una batería dañada. *Cualquier intervención técnica en una batería debe ser realizada exclusivamente por el fabricante o por un servicio técnico autorizado.*

CONSIGNAS DE SEGURIDAD ESPECÍFICAS

1) INSTRUCCIONES DE SEGURIDAD PARA TODAS LAS OPERACIONES

- a) Siempre utilice protección auditiva mientras use el martillo. *Estar expuesto a sonidos fuertes puede causar pérdida de audición.*
- b) Sujete la herramienta eléctrica por las empuñaduras aislantes, al realizar trabajos en los que la herramienta pueda entrar en contacto con una instalación eléctrica oculta. *El contacto de la pieza cortante con un cable de corriente podría cargar de electricidad las piezas metálicas expuestas de la herramienta y provocar una descarga eléctrica al usuario.*

2) INSTRUCCIONES DE SEGURIDAD AL USAR BROCAS LARGAS

- a) Nunca opere a una velocidad mayor que la capacidad máxima de velocidad de la broca. *A velocidades más altas, es probable que la broca se doble si se permite que gire libremente sin tocar la pieza de trabajo, lo que ocasiona lesiones personales.*
- b) Siempre comience a perforar a baja velocidad y con la punta de la broca en contacto con la pieza de trabajo. *A velocidades más altas, es probable que la broca se doble si se permite que gire libremente sin tocar la pieza de trabajo, lo que ocasiona lesiones personales.*
- c) Aplique presión solo en línea directa con la broca y no aplique presión excesiva. *Los bits pueden doblarse causando rotura o pérdida de control, lo que resulta en lesiones personales.*

ADVERTENCIAS DE SEGURIDAD PARA LA BATERÍA

- a) No desmonte, abra o destruya las pilas o las baterías recargables.
- b) No provoque un cortocircuito en la batería. No almacene las baterías de forma descuidada en una caja o cajón donde podría provocar un cortocircuito entre ellas o mediante otros objetos metálicos. *Cuando la batería no esté siendo utilizada, manténgala alejada de objetos metálicos, como clips de papel, monedas, llaves, clavos, tornillos u otros objetos metálicos pequeños, que pueden posibilitar la conexión de un borne con otro. Al provocar un cortocircuito con los bornes de la batería se pueden sufrir quemaduras o generar un incendio.*
- c) No exponga las baterías al calor o al fuego. No las guarde expuestas directamente al sol.
- d) No exponga las baterías a impactos mecánicos.
- e) En caso de que la batería tenga fugas de líquido, no permita que el líquido entre en contacto con la piel o los ojos. Si se produce el contacto, lave la zona afectada con grandes cantidades de agua y acuda a un médico.
- f) Mantenga las baterías limpias y secas.
- g) Limpie los bornes de la batería con un paño limpio si se ensucian.
- h) Cargue la batería antes de utilizarla. Consulte siempre estas instrucciones y aplique el procedimiento de carga adecuado.
- i) No deje la batería cargándose durante prolongados períodos de tiempo cuando no se utilice.
- j) Después de prolongados períodos de almacenamiento, puede que sea necesario cargar y descargar la batería varias veces para obtener el máximo rendimiento.
- k) Recargue solo con el cargador indicado por WESCO. No utilice ningún otro cargador que no sea el

específicamente proporcionado para el uso con este equipo.

- l) No utilice ninguna batería distinta a la diseñada para utilizarse con el aparato.
- m) Mantenga la batería fuera del alcance de los niños.
- n) Conserve la documentación original del producto por si tuviera que consultarla en otro momento.
- o) Extraiga la batería del aparato cuando no lo utilice.
- p) Deshágase del producto correctamente.
- q) No se deben mezclar pilas de diferentes fabricantes, capacidad, tamaño o tipo en un mismo dispositivo.
- r) Protégela de la batterie des micro-ondes et des hautes pressions.
- s) ¡Advertencia! No utilice pilas no recargables.

ADVERTENCIAS DE SEGURIDAD GENERALES PARA CARGADORES



ADVERTENCIA Lea todas las advertencias de seguridad y todas las instrucciones. El incumplimiento de cualquiera de las instrucciones o las advertencias, puede tener como resultado una descarga eléctrica, un incendio y/o lesiones graves.

Conserve todas las advertencias y las instrucciones para consultarlas en el futuro.

Este dispositivo puede ser utilizado por niños a partir de 8 años y personas con capacidades físicas, sensoriales o mentales reducidas, o falta de experiencia y conocimiento si se les ha proporcionado supervisión o instrucción con referencia al uso de este dispositivo de manera segura y que entiendan los riesgos involucrados.

Los niños no deben jugar con este aparato. La limpieza y mantenimiento de uso no deben ser llevados a cabo por niños sin supervisión de un adulto.

Si el cable de alimentación está dañado, debe ser reemplazado por el fabricante, su service autorizado o personas calificadas, a fin de evitar riesgos.

INSTRUCCIONES DE SEGURIDAD ADICIONALES PARA SU CARGADOR

1. Antes de cargar la batería, lea las instrucciones.
2. No cargue una batería que presente una fuga.
3. No utilice los cargadores para trabajos para los que no se hayan diseñado.
4. Antes de cargar una batería, asegúrese de que su cargador sea el adecuado para el suministro eléctrico de CA local.
5. Para uso en interiores, no exponer a la lluvia.
6. El dispositivo de carga debe estar protegido de la humedad.
7. No utilice el dispositivo de carga al aire libre.
8. No cortocircuite los contactos de la batería ni del cargador.
9. Respete la polaridad "+/-" a la hora de cargar.
10. No abra la unidad y manténgala fuera del alcance de los niños.
11. No cargue las baterías de otros fabricantes o de modelos que no encajen bien.
12. Asegúrese de que la conexión entre el cargador y la batería sea correcta y no esté obstruida por cuerpos extraños.
13. Mantenga las ranuras del cargador libres de objetos extraños y protéjalas de la suciedad y la humedad. Guárdela en un lugar seco y sin riesgo de congelación.

14. A la hora de cargar baterías, asegúrese de que el cargador de batería esté en una zona bien ventilada y lejos de materiales inflamables. Las baterías se pueden calentar durante la carga. No sobrecaliente las baterías. Asegúrese de que las baterías y los cargadores no estén sin supervisión durante la carga.
15. No recargue baterías no recargables, ya que pueden sobrecalentarse y romperse.
16. Para lograr una mayor vida útil y un mejor rendimiento, cargue la batería cuando la temperatura ambiente esté entre 18°C y 24°C. No cargue la batería si la temperatura ambiente es inferior a 0°C, o superior a 40°C. Este factor es importante, ya que puede evitar daños graves a la batería.
17. Cargue exclusivamente el pack de batería del mismo modelo que el suministrado por WESCO y de modelos recomendados por WESCO.

SYMBOLS



Para reducir el riesgo de lesión, lea el manual de instrucciones.



Advertencia



Utilice protección auditiva



Utilizar protección ocular



Utilizar una máscara antipolvo



Uso interno solamente (Cargador)



Leer el manual.



Si no se eliminan correctamente, las baterías podrían interferir en el ciclo del agua, una situación que pondría en riesgo el ecosistema. Por este motivo, las baterías no deben eliminarse junto con los residuos municipales sin clasificar.



No quemar



Terminal positivo



Terminal negativo



Batería de iones de litio. Este producto tiene una marca que lo designa para la recogida selectiva, junto con otras pilas y baterías. Una vez recogido, se reciclará o se desmontará con el fin de reducir el impacto en el medioambiente. Las baterías contienen sustancias peligrosas y pueden ser perjudiciales para el medioambiente y para la salud de las personas.



Los residuos de aparatos eléctricos y electrónicos no deben depositarse en la basura doméstica. Se deben reciclar en las instalaciones especializadas. Consulte a las autoridades locales o el establecimiento para saber cómo reciclar estos productos.



Doble aislamiento (Cargador)



Fusible

INSTRUCCIONES DE FUNCIONAMIENTO



NOTA: Antes de usar la herramienta lea el manual de instrucciones detenidamente.

USO INDICADO

La herramienta eléctrica ha sido diseñado para apretar y aflojar tornillos, así como para taladrar madera, metal, plástico, ladrillos, y cemento.

ANTES DE UTILIZAR

1. CARGAR LA BATERÍA (VÉASE LA FIG. A1 A2)

- No use ningún cargador que no sea el específicamente provisto para usar con el equipo.
- Si la batería está muy caliente, debe retirarla del cargador y dejar que la batería se enfríe antes de recargarla.
- La batería de su nueva herramienta no está cargada cuando sale de la fábrica. Por lo tanto, debe cargar su batería completamente antes de usarlo por primera vez.
- Cargue la batería hasta que esté llena antes de almacenarla. Si la herramienta no se utilizará durante largos periodos de tiempo, cárguela cada 3-6 meses.

EXTRACCIÓN O INSTALACIÓN DEL PAQUETE DE BATERÍAS EN EL CARGADOR

Deslice el paquete de batería en el puerto de batería del cargador. un simple empujón y una ligera presión será suficiente. Presione el paquete de batería primero suelte el botón con firmeza y luego deslice la batería hacia afuera del cargador.

PROCEDIMIENTO DE CARGA

- Enchufe el cargador en una toma de corriente apropiada. La luz verde se iluminará.
- Inserte el acumulador en el cargador; la luz del testigo pasará a ser de color rojo para indicar que se ha iniciado el proceso de recarga.
- Una vez completada la recarga, la luz del cargador se volverá otra vez de color verde. La batería estará ahora totalmente

recargada. Desenchufe el cargador y retire la batería.

INDICADOR DE CARGA

Este cargador está diseñado para detectar algunos problemas en las baterías. Las luces indicadoras le alertarán de algún problema (vea el cuadro más abajo). De ocurrir esto, inserte una batería nueva para determinar si el cargador está funcionando correctamente. Si la nueva batería se carga correctamente significa que la batería original sufre algún defecto y debe devolverse al servicio técnico o a un punto de recogida de artículos reciclables. Si se observan los mismos problemas con la batería nueva, entregue el cargador en un servicio técnico autorizado para que la prueben.

Luz	Estado
Rojo encendido	Cargando
Verde encendido	Batería totalmente cargada



ADVERTENCIA: Si se agota la carga de la batería debido al uso continuado o la exposición a la luz solar directa o el calor, Deje tiempo suficiente para que la batería se enfríe antes de cargarla de nuevo para que se cargue al máximo.

2. EXTRAER O INSTALAR EL PACK DE BATERÍA (VÉASE LA FIG. B,C)

Presione el cierre de la batería y extraiga la batería del taladro. Después de volver a cargarla, instale la batería en el puerto de batería del taladro. Sólo necesitará presionar ligeramente para fijarla.

FUNCIONAMIENTO

1. INTERRUPTOR (VÉASE LA FIG. D)

Presiónelo para accionar su taladro y suéltelo para detenerlo. El interruptor de encendido/apagado posee un dispositivo de frenado que detiene el mandril en forma inmediata cuando Ud. suelta rápidamente el interruptor.

También es un conmutador de velocidad variable que ofrece mayor velocidad y torsión al aumentar la presión del gatillo. La velocidad se controla a través de la presión del gatillo.



¡ADVERTENCIA: No utilice la herramienta a velocidad baja por periodos largos, ya que se producirá un exceso de calor en el interior de la misma. Cuando se produce una sobrecarga, suelte el interruptor de encendido / apagado de inmediato para evitar el sobrecalentamiento del motor.

2. SISTEMA DE CIERRE DEL INTERRUPTOR (VÉASE LA FIG. E)

El gatillo del interruptor se puede trabar en la posición de apagado (OFF). Esto ayuda a reducir la posibilidad de arranque accidental cuando la herramienta no está en uso. Para bloquear el gatillo del interruptor, coloque el selector de dirección de rotación en posición central.

3. DIRECCIÓN DE ROTACIÓN (VÉASE LA FIG. F1, F2)

Rotación hacia adelante: empuje el control de rotación hacia adelante / hacia atrás hacia la izquierda (el taladro apunta lejos de usted). Se utiliza para taladrar y atornillar.

Rotación inversa: empuje el control de rotación hacia adelante / hacia atrás hacia la derecha (el taladro apunta lejos de usted). Se utiliza para quitar tornillos o liberar una broca atascada.



¡ADVERTENCIA: ¡Nunca cambie la dirección de rotación cuando el mandril está girando; espere hasta que se haya detenido!

4. TREN DE ENGRANAJES DE DOS VELOCIDADES (VÉASE LA FIG. G)

El taladro posee un tren de engranajes de dos velocidades diseñado para perforar o atornillar a velocidades bajas (1) o altas (2). La selección de velocidades bajas (1) o altas (2) se realiza por medio de un interruptor deslizante situado en la parte superior del taladro. Cuando el taladro se emplea a velocidad baja (1) esta disminuirá y la herramienta tendrá mayor potencia y par. Cuando el taladro se emplea a velocidad alta (2) esta se incrementará y la herramienta tendrá menor potencia y par.

Marcha I

Baja velocidad: para atornillar o trabajar con grandes diámetros de perforación.

Marcha II

Alta velocidad: para trabajar con pequeños diámetros de perforación.



¡ADVERTENCIA: Para prevenir daños a los engranajes, siempre espere a que el mandril se detenga completamente antes de cambiar la dirección de rotación o el tren de engranajes de dos velocidades.

Cuando se produce una sobrecarga frecuente en el engranaje de alta velocidad, cambie al engranaje de baja velocidad para evitar el sobrecalentamiento del motor.

5. AJUSTE DEL MANDRIL (VÉASE LA FIG. H)

Para abrir las mordazas del mandril gire la parte frontal del mismo mientras sostiene la parte posterior. Inserte la broca entre las mordazas y gire la parte frontal en dirección opuesta, mientras sostiene la parte posterior. Cerciñese de que la broca se encuentre centrada en las mordazas del mandril. Finalmente, gire con firmeza las dos partes del mandril en dirección opuesta. La broca se encuentra ahora firmemente introducida en el mandril.

6. AJUSTE DEL PAR (VÉASE LA FIG. I1-I2)

El par se ajusta girando el anillo de ajuste del par. El torque es mayor cuando el anillo de ajuste de torque se establece en una configuración más alta. El torque es menor cuando el anillo de ajuste de torque se establece en un ajuste más bajo (consulte la Fig. I1).

a. Para la función de atornillar

Para seleccionar la función de atornillado, gire el collar de selección de función para alinear el símbolo del tornillo con el indicador triangular en la parte superior de la carcasa del taladro (consulte la Fig. I2-a).

Para ajustar la configuración de torsión, gire el anillo de ajuste de torsión para alinear el número de configuración de torsión requerido con el indicador triangular en la parte superior del taladro. Cuanto mayor sea el número, mayor será el par de salida.

b. Para la función de perforación

NOTA: Cuando se usa la función de perforación, el control de torque no tiene efecto en la salida del taladro.

Para seleccionar la función de perforación, gire el collar de selección de función para que el símbolo de la broca se alinee con el indicador triangular en la parte superior de la carcasa del taladro (consulte la Fig. I2-b).

La función de perforación se utiliza para perforar agujeros en metal, material no ferroso, madera, plástico y materiales similares.

c. Para la función de martillo

NOTA: Cuando se usa la función de perforación con percusión, el control de torque no tiene efecto en la salida del taladro.

Para seleccionar la función de martillo, gire el collar de selección de función de modo que el símbolo de la función de martillo se alinee con el indicador triangular en la parte superior de la carcasa del taladro (consulte la Fig. I2-c).

Configure la velocidad de la siguiente manera:

	1 - 5 para atornillar tornillos pequeños
	6 - 11 para clavar tornillos en material blando
	12 - 16 para clavar tornillos en material blando y duro
	17 - 22 para clavar tornillos en madera dura
	23 - 25 para atornillar tornillos más grandes
	para perforación pesada
	para taladrar en mampostería y hormigón

7. LUZ PUNTO DE TRABAJO

La luz de trabajo le permite ver con comodidad en situaciones de más oscuridad. Para encender la luz sólo tiene que pulsar el interruptor de encendido/apagado. Al soltar el interruptor de encendido/apagado la luz se apagará.

8. USO DEL CLIP DEL CINTURÓN (VÉASE LA FIG. J)

Atornille el clip para el cinturón en la herramienta con el tornillo. El clip para cinturón se puede enganchar en su cinturón o bolsillo, etc.

9. INDICADOR DE CAPACIDAD DE LA BATERÍA

Su herramienta está equipada con un indicador de capacidad de la batería. Presione el interruptor de encendido / apagado hasta la mitad o completamente, el indicador de capacidad de la batería se iluminará para mostrar la cantidad de carga que queda en la batería.

Medidor de combustible	Capacidad
3 luces	> 70%
2 luces	40%~70%
1 luz	< 40%

10. TALADRAMIENTO

Para perforar superficies duras y lisas emplee un punzón para marcar la localización deseada del orificio. Esto evitará que la broca se desvíe del centro cuando se comienza a perforar el agujero. Sostenga la herramienta firmemente y coloque el extremo de la broca en el punto a perforar. Presione el gatillo del interruptor para encender la herramienta. Mueva la broca dentro de la pieza de trabajo, aplicando sólo la presión suficiente para efectuar el agujero. No fuerce o aplique presión lateral para alargar un agujero.



Para cemento y mampostería se deben usar siempre brocas de carburo de tungsteno. Para perforaciones en metal, emplear sólo brocas de tipo HSS (acero de alta velocidad) en buenas condiciones. Siempre emplee un colector magnético de puntas cuando use puntas de atornillar pequeñas. Cuando realice operaciones de atornillado, aplique una pequeña cantidad de jabón líquido o similar sobre los filetes para facilitar la inserción.

11. PROTECCIÓN CONTRA SOBRECARGA

Si se recibe una sobre carga, el motor se detendrá. Libere la carga de la máquina y deje que se enfríe durante aproximadamente 30 segundos a la velocidad sin carga más alta posible.

12. PROTECCIÓN CONTRA SOBRECARGA TÉRMICA

La herramienta eléctrica no puede sobrecargarse si ésta se utiliza de forma reglamentaria. En caso de solicitarse excesivamente, o al superarse de temperatura admisible del acumulador de 75°C, la herramienta eléctrica se desconecta hasta que logre alcanzar la temperatura de servicio óptima.

13. PROTECCIÓN CONTRA ALTAS DESCARGAS



El acumulador de iones de litio va protegido contra altas descargas por "Discharging Protection System". Si el acumulador está descargado, un circuito de protección se encarga de desconectar la herramienta eléctrica. El útil deja de moverse.

SOLUCIÓN DE PROBLEMAS

1. POR QUÉ EL TALADRO NO SE ENCIENDE AL PRESIONAR EL INTERRUPTOR?

El inversor situado en la parte superior del gatillo, está colocado en la función de bloqueo. Desbloquéelo colocándolo a la izquierda o a la derecha luego accione el gatillo.

2. EL TALADRO SE DETIENE ANTES DE QUE EL TORNILLO ESTÉ COMPLETAMENTE APRETADO. POR QUÉ?

Verifique la posición del anillo de par situado entre el mandril y el cuerpo de la máquina. La posición 1 corresponde al par más bajo y la posición 25 al par más alto. La posición  corresponde a la función taladro. La posición  corresponde a la función taladrar con percutor. Regule el par llevando el anillo a una posición más alta para obtener el mejor resultado.

3. RAZONES PARA DIFERENTES TIEMPOS DE TRABAJO DE LA BATERÍA

Los problemas de tiempo de carga y el hecho de no haber utilizado una batería durante un tiempo prolongado reducirán el tiempo de trabajo de la batería. Esto se puede corregir después de varias operaciones de carga y descarga cargando y trabajando con su conductor. Las condiciones de trabajo pesadas, como tornillos grandes en madera dura, consumirán la energía de la batería más rápido que las condiciones de trabajo más livianas. No recargue su batería por debajo de 0 °C y por encima de 40 °C ya que esto afectará el rendimiento.

MANTENIMIENTO

Retire el pack de batería del taladro antes de realizar ajustes.

Su herramienta eléctrica no requiere de lubricación ni mantenimiento adicional.

No posee piezas en su interior que deban ser reparadas por el usuario. Nunca emplee agua o productos químicos para limpiar su herramienta. Use simplemente un paño seco. Guarde siempre su herramienta en un lugar seco. Mantenga limpias las ranuras de ventilación del motor. Mantenga todos los controles de funcionamiento libres de polvo. La observación de chispas que destellan bajo las ranuras de ventilación indica un funcionamiento normal que no dañará su herramienta.

Para las herramientas a batería

El rango de temperatura ambiente de funcionamiento y almacenamiento para la herramienta y la batería es de 0°C-45°C.

El rango de temperatura ambiente recomendado para el Sistema de carga durante el proceso de carga es de 0°C-40°C.

PROTECCIÓN AMBIENTAL



Los residuos de aparatos eléctricos y electrónicos no deben depositarse en la basura doméstica. Se deben reciclar en las instalaciones especializadas. Consulte a las autoridades locales o el establecimiento para saber cómo reciclar estos productos.

DECLARACIÓN DE CONFORMIDAD

Los que reciben,
POSITEC Germany GmbH
Postfach 32 02 16, 50796 Cologne, Germany

Declaran que el producto,
Descripción **Taladro a batería**
Modelo **WS2419K2 (24-designaciones de maquinaria, representante del taladro de impacto inalámbrico)**
Funciones **Taladrar**

Cumple con las siguientes Directivas :

2006/42/EC
2011/65/EU & (EU)2015/863,
2014/30/EU
2014/35/EU
2006/66/EC & 2013/56/EU

Cumple las normativas

EN 62841-1
EN 62841-2-1
EN 55014-1
EN 55014-2
EN 60335-1
EN 60335-2-29
EN 62233
EN IEC 61000-3-2
EN 61000-3-3
EN 62133-2

La persona autorizada para componer el archivo técnico,

Nombre Marcel Filz
Dirección POSITEC Germany GmbH
Postfach 32 02 16, 50796 Cologne, Germany



2023/04/04




Allen Ding
Ingeniero Jefe Adjunto. Pruebas y Certificación
Positec Technology (China) Co., Ltd
18, Dongwang Road, Suzhou Industrial
Park, Jiangsu 215123, P. R. China

СПИСЪК НА КОМПОНЕНТИТЕ

1. Бързозатягащ патронник
2. Пръстен за регулиране на въртящия момент
3. Чук / завинтване / регулиращ пръстен за пробиване
4. Двускоростно управление на скоростите
5. Управление на въртенето напред/назад
6. Щипка за колан
7. Батериен пакет
8. Бутон за освобождаване на батерията
9. Led светлина
10. Мека дръжка
11. Ключ за включване/изключване
12. Бита с двоен край

ТЕХНИЧЕСКИ ДАННИ

Тип **WS2419K2** (24-обозначение на машини, представител на акумулаторна безщеткова ударна бормашина)

Волтаж	18V 	
Скорост без натоварване	0-450/2000 /min	
Степен на въздействие	0-8550/0-36100bpm	
Брой позиции на съединителя	25+1+1	
Максимален въртящ момент	60 Nm	
Капацитет на патронника	13mm	
Макс. капацитет за пробиване	Стомана	13mm
	дърво	40mm
	Бетон	16mm
Тегло на машината (гол инструмент)	1.14kg	
Вход за зарядно устройство (WS9969)	100-240V ~ 50/60Hz, 55W	
Изход за зарядно устройство (WS9969)	20V  2.0A	
Клас на защита на зарядното устройство	 / II	
Капацитет на батерията (WS9970)	2.0 Ah	
Време за зареждане	1 hr	

ИНФОРМАЦИЯ ЗА ШУМА

За бормашина	Претеглено звуково налягане	$L_{PA} = 74 \text{ dB(A)}$
	Претеглена звукова мощност	$L_{WA} = 82 \text{ dB(A)}$
	$K_{PA} \& K_{WA}$	5 dB(A)
За ударна бормашина	Претеглено звуково налягане	$L_{PA} = 95 \text{ dB(A)}$
	Претеглена звукова мощност	$L_{WA} = 103 \text{ dB(A)}$
	$K_{PA} \& K_{WA}$	5 dB(A)

Носете антифони.

ИНФОРМАЦИЯ ЗА ВИБРАЦИИТЕ

Обща стойност на вибрациите (триаксиална векторна сума), определена според БДС EN 62841:

Пробиване в метал	Стойност на вибрационните емисии $a_{h,D} = 1.0 \text{ m/s}^2$
	Неопределеност $K = 1.5 \text{ m/s}^2$
Ударно пробиване в бетон	Стойност на вибрационните емисии $a_{h,D} = 6.2 \text{ m/s}^2$
	Неопределеност $K = 1.5 \text{ m/s}^2$

Декларираната обща стойност на вибрациите и декларираната стойност на емисиите на шум са измерени в съответствие със стандартен метод за измерване и могат да бъдат използвани за сравняване на един инструмент с друг.

Декларираната обща стойност на вибрациите и декларираната емисия на шум може да се използва и за предварителна оценка на експозицията.

! **ПРЕДУПРЕЖДЕНИЕ:** Стойността на емисиите на вибрации и шум при реално използване на електроинструмента може да се различава от декларираната стойност в зависимост от начините, по които инструментът се използва, в зависимост от детайла, който се обработва, и в зависимост от следните примери и други варианти за начина на използване на инструмента:

Как се използва инструментът и материалите, които се режат или пробиват.

Добро състояние и правилна поддръжка на инструмента.

Използване на правилните аксесоари за инструмента и поддържането му остър и в добро състояние.

Стегнат захват на ръкохватките и използване на противовибрационни и противошумови аксесоари.

Употреба на инструмента според дизайна му и тези инструкции.

Този инструмент може да предизвика синдром на вибрация „ръка-рамо“, ако употребата му не се управлява адекватно.

! **ПРЕДУПРЕЖДЕНИЕ:** За да бъде точна, оценката на нивото на експозиция в реалните условия на употреба трябва също да вземе предвид всички части от работния цикъл, като например времето, през което инструментът е изключен и когато работи на празен ход без реално да извършва работа. Това може значително да намали нивото на експозиция през общия работен период.

Как да намалите риска от експозиция на вибрации и шум. Винаги използвайте остри длета, свредла и ножове.

Грижете се за инструмента според тези инструкции и го поддържайте смазан (където е приложимо). Ако инструментът ще се използва редовно, инвестирайте в противовибрационни и противошумови аксесоари. Планирайте работния си график, за да разпределите употребата на високовибрационни инструменти в няколко отделни дни.

АКСЕСОАРИ

Charger (WS9969)	1
Battery pack (WS9970)	2
Double ended bits (PH2 / SL5.5)	1
Belt clip	1

Препоръчваме ви да закупите аксесоарите си от същия магазин, в който сте продали инструмента. За повече информация вижте опаковката на аксесоарите подробности. Персоналът на магазина може да ви помогне и да ви предложи съвет.

ОРИГИНАЛНИ ИНСТРУКЦИИ ОБЩИ ПРЕДУПРЕЖДЕНИЯ ЗА БЕЗОПАСНОСТ ЗА ЕЛЕКТРОИНСТРУМЕНТИ



ВНИМАНИЕ: Прочетете всички предупреждения за безопасност, инструкции, илюстрации и спецификации, предоставени с този електроинструмент. Неспазването на всички посочени инструкции може да доведе до токов удар, пожар и/или сериозно нараняване.

Запазете всички предупреждения и инструкции за бъдеща справка.

Терминът „електроинструмент“ в предупрежденията се отнася за вашите електроинструменти, захранвани от мрежата (с кабел) или за електроинструментите, работещи с батерия (без кабел).

1) БЕЗОПАСНОСТ НА РАБОТНАТА ЗОНА

- a) **Пазете работната зона чиста и добре осветена.** Разхвърляйте или тъмни зони предизвикват инциденти.
- b) **Не използвайте електроинструменти във взривоопасна атмосфера, например в присъствието на запалими течности, газове или прах.** Електроинструментите произвеждат искри, които могат да запалят прах или изпарения.
- c) **Дръжте деца и странични лица далеч, докато работите с електроинструмент.** Разсейването може да доведе до загуба на контрол.

2) ЕЛЕКТРОБЕЗОПАСНОСТ

- a) **Щепселите на електрическия инструмент трябва да съответстват на контакта. Никога не модифицирайте щепсела по никакъв начин. Не използвайте никакви адаптерни щепсели със заземени електроинструменти.** Немодифицираните щепсели и подходящите контакти ще намалят риска от токов удар.
 - b) **Избягвайте контакт на тялото със заземени повърхности, като например тръби, радиатори, печки и хладилници.** Съществува повишен риск от токов удар, ако тялото ви бъде заземено.
 - c) **Не излагайте електроинструментите при дъжд или мокри условия.** Водата, навлизаща в електроинструмента, ще увеличи риска от токов удар.
 - d) **Не повреждайте кабела. Никога не използвайте кабела, за да носите, дърпате или изключвате електроинструмента. Дръжте кабела далеч от топлина, масло,**
- остри ръбове или движещи се части.** Повредените или заплетени кабели повишават риска от токов удар.
- e) **Когато работите с електроинструмент на открито, използвайте удължителен кабел, подходящ за външна употреба.** Употребата на кабел, подходящ за употреба на открито, намалява риска от токов удар.
 - f) **Ако работата с електроинструмент на влажно място е неизбежна, използвайте защитно захранване с дефектнотокова защита (ДТЗ).** Използването на ДТЗ намалява риска от токов удар.
- ## 3) ЛИЧНА БЕЗОПАСНОСТ
- a) **Бъдете нащрек, внимавайте какво правите и използвайте здравия си разум, когато работите с електроинструмент. Не използвайте електроинструмент, когато сте изморени или под влияние на наркотици, алкохол или лекарства.** Момент невнимание при работа с електроинструмент може да доведе до сериозни наранявания.
 - b) **Носете лично защитно оборудване винаги носете защита за очите.** Предпазните средства като противопохова маска, предпазни обувки против пързаяне, каска или антифони, използвани за подходящите условия, ще намалят нараняванията.
 - c) **Предотвратяване на неволно стартиране. Уверете се, че превключвателят е в позиция изкл. (off), преди свързване към източник на захранване и/или батериен пакет, вземане или носене на инструмента.** Носенето на електроинструменти с пръст върху превключвателя или включването им при натиснат превключвател може да доведе до злополуки.
 - d) **Извадете всеки регулиращ ключ или гаечен ключ, преди да включите електрическия инструмент. Гаечен ключ или друг ключ, прикрепен към въртяща се част на електроинструмента, може да доведе до наранявания.**
 - e) **Не дръжте инструмента твърде далече. Непрекъснато спазвайте подходящо положение и баланс.** Това спомага за по-доброто управление на електроинструмента в непредвидени ситуации.
 - f) **Носете подходящо облекло. Не носете широки дрехи или бижута. Дръжте косата и дрехите си далеч от движещи се части. Широките дрехи, бижута или дългата коса могат да бъдат захванати от движещите се части.**
 - g) **Ако са осигурени устройства за свързване на уреди за извличане и събиране на прах, уверете се, че те са свързани и се използват правилно.**

Събирането на прах може да намали опасностите, свързани с праха.

- h) Не позволявайте познаването, придобито от честата употреба на инструменти, да ви позволи да изгубите бдителността си и да игнорирате принципите за безопасност на инструментите.** *Небрежното действие може да причини тежко нараняване в рамките на части от секундата.*
- 4) ИЗПОЛЗВАНЕ И ГРИЖА ЗА ЕЛЕКТРОИНСТРУМЕНТА**
- a) Не претоварвайте електроинструмента. Използвайте правилния електроинструмент за вашите нужди.** *Правилният електроинструмент ще свърши работата по-добре и по-безопасно при скоростта, за която е проектиран.*
- b) Не използвайте електрически инструмент, ако превключвателят не го включва и изключва.** *Всички електроинструменти, които не могат да бъдат управлявани от превключвателя си, са опасни и трябва да бъдат ремонтирани.*
- c) Изключете щепсела от източника на захранване и / или извадете батерийния пакет, ако се разглобява, от електроинструмента, преди да направите каквито и да е настройки, да смените аксесоарите или да съхранявате електроинструментите.** *Подобни предпазни мерки намаляват риска от включване на електроинструмента по невнимание.*
- d) Съхранявайте електроинструментите далеч от досега на деца и не позволявайте на лица, които не са запознати с електроинструмента или тези инструкции, да работят с електроинструмента.** *Електроинструментите са опасни в ръцете на необучени потребители.*
- e) Поддържайте електроинструментите и аксесоарите. Проверете за разщепеноване или запяване на движещите се части, счупване на частите и други състояния, които могат да повлияят на работата на електроинструмента.** *При повреда, ремонтирайте инструмента преди употреба. Много злополуки са причинени от лошо поддържани електроинструменти.*
- f) Поддържайте режещите инструменти остри и чисти.** *Правилно поддържаните режещи инструменти с остри режещи ръбове е по-малко вероятно да засичат при работа и са по-лесни за управление.*
- g) Използвайте електроинструмента, аксесоарите и крайниците на инструментите и т.н. в съответствие с тези инструкции, като се вземат предвид условията на работа и работата, която трябва да се извърши.**

Употребата на електроинструмента за операции, различни от тези, за които е предназначен, може да доведе до опасни ситуации.

- h) Пазете ръкохватките и захващащите повърхности сухи, чисти и без следи от масло и смазка.** *Хлъзгавите ръкохватки и захващащи повърхности не позволяват безопасна работа и контрол на инструмента при неочаквани ситуации.*
- 5) ИЗПОЛЗВАНЕ И ГРИЖА ЗА БАТЕРИЯТА**
- a) Зареждайте единствено със зарядно, посочени от производителя.** *Зарядно устройство, което е подходящо за един вид батерия, може да създаде риск от пожар, когато се използва с друг батерия пакет.*
- b) Използвайте електроинструментите само с батерийния пакет, проектиран за тях.** *Употребата на всякакви други батерийни пакети може да създаде риск от нараняване и огън.*
- c) Когато батерийният пакет не се използва, го съхранявайте далеч от други метални предмети, като кламери, монети, ключове, гвоздеи, отвертки или други малки метални предмети, които биха могли да направят връзка между двете клеми.** *Свързването на клемите на батерията може да предизвика експлозия или пожар.*
- d) При неправилна експлоатация е възможно от батерията да изтече течност; избягвайте контакта.** *Ако случайно възникне контакт, изплакнете с вода. Ако течността влезе в досег с очите, потърсете допълнителна медицинска помощ. Течността, изтекла от батерията, може да причини дразнене или изгаряния.*
- e) Не използвайте батерия пакет или инструмент, който е повреден или модифициран.** *Повредените или модифицирани батерии могат да проявят непредвидимо поведение, което да доведе до пожар, експлозия или риск от нараняване.*
- f) Не излагайте батерийния пакет или инструмента на огън или прекомерна температура.** *Излагането на огън или температура над 130 °C може да причини експлозия.*
- g) Следвайте всички инструкции за зареждане и не зареждайте батерийния пакет или инструмента извън температурния диапазон, посочен в инструкциите.** *Неправилното зареждане или при температури извън посочения диапазон може да повреди батерията и да увеличи риска от пожар. ключове, гвоздеи, отвертки или други малки метални предмети, които биха могли да направят връзка между двете клеми.* *Свързването на клемите на батерията може да предизвика експлозия или пожар.*

6) ОБСЛУЖВАНЕ

- a) Вашият електроинструмент трябва да се обслужва от квалифицирано лице, което използва само оригинални резервни части. Това ще гарантира, че се поддържа безопасността на електроинструмента.
- b) Никога не обслужвайте повредени батерийни пакети. Обслужването на батерийните пакети трябва да се извършва само от производителя или оторизирани доставчици на услуги.

ПРЕДУПРЕЖДЕНИЯ ЗА БЕЗОПАСНОСТ НА СОРМАТИРАНЕТО

1) ИНСТРУКЦИИ ЗА БЕЗОПАСНОСТ ЗА ВСИЧКИ ОПЕРАЦИИ

- a) Носете протектори за уши, когато пробивате с удар. Излагане на шумът може да причини загуба на слуха.
- b) Дръжте електроинструмента за изолирани повърхности за захващане, когато извършване на операция, при която режещият аксесоар или крепежните елементи могат да докоснат скрито окабеляване. Режещ аксесоар или крепежни елементи, които контактуват с проводник под напрежение, могат да направят изложен метал части от електроинструмента „живеят“ и могат да дадат на оператора сигнал токове удар.

2) ИНСТРУКЦИИ ЗА БЕЗОПАСНОСТ ПРИ ИЗПОЛЗВАНЕ НА ДЪЛЪГ СВОРДОНА

- a) Никога не работете със скорост, по-висока от максималната скорост рейтинг на свредлото. При по-високи скорости има вероятност свредлото да се огъне ако се остави да се върти свободно без контакт с детайла, което води до лично нараняване.
- b) Винаги започвайте да пробивате с ниска скорост и с върха на свредлото навътре контакт с детайла. При по-високи скорости бита е има вероятност да се огъне, ако се остави да се върти свободно без контакт с детайл, което води до нараняване.
- c) Прилагайте натиск само в права линия със свредлото и не го правете прилагайте прекомерен натиск. Битовите могат да се огънат, причинявайки счупване или загуба на контрол, което води до лично нараняване.

ПРЕДУПРЕЖДЕНИЯ ЗА БЕЗОПАСНОСТ ЗА БАТЕРИЙНИЯ ПАКЕТ

- a) Не демонтирайте, не отваряйте и не разкъсвайте батерийния пакет.
- b) Не свързвайте батерийния пакет на късо. Не съхранявайте батерийните пакети небрежно в кутия или чекмедже, където могат да се свържат накъсо помежду си или да се свържат накъсо с проводими материали. Когато батерийният пакет не се използва, го съхранявайте далеч от други метални предмети, като кламери, монети, ключове, пирони, винтове или други малки метални предмети, които могат да направят връзка между двете клемми. Свързването на клемите на батерията може да предизвика експлозия или пожар.
- c) Не излагайте батерийния пакет на топлина или огън. Избягвайте съхранение под пряка слънчева светлина.
- d) Не излагайте батерийния пакет на механични удари.
- e) В случай на протичане на батерията, не позволявайте течността да влезе в контакт с кожата или очите. Ако това се случи, изплакнете засегнатата област обилно с вода и потърсете медицинска помощ.
- f) Пазете батерийния пакет чист и сух.
- g) Ако клемите на батерийния пакет бъдат замърсени, ги почистете с чиста суха кърпа.
- h) Батерийният пакет трябва да бъде зареден преди употреба. Винаги правете справка с тази инструкция и прилагайте правилната процедура за зареждане.
- i) Не зареждайте батерийния пакет, когато няма да се използва.
- j) След продължителни периоди на съхранение може да се наложи да заредите и разреждете батерийния пакет няколко пъти, за да постигнете оптимални резултати.
- k) Зареждайте само със зарядното устройство, посочено от WESCO. Не използвайте зарядно, различно от предоставеното за употреба с оборудването.
- l) Не използвайте батерийния пакет, който не е проектиран за използване с оборудването.
- m) Съхранявайте батерийния пакет далеч от достъпа на деца.
- n) Запазете оригиналната литература за продукта за бъдещи справки.
- o) Извадете батерията от оборудването, когато не го използвате.
- p) Изхвърляйте според изискванията.

- q) **Не смесвайте батерии от различни производители, капацитет, размер или вид в едно и също устройство.**
- r) **Дръжте батерията далеч от микровълни и високо налягане.**
- s) **Предупреждение! Не използвайте неакумулаторни батерии.**

ОБЩИ ПРЕДУПРЕЖДЕНИЯ ЗА БЕЗОПАСНОСТ ЗА ЗАРЯДНО ЗА БАТЕРИЯ



ПРЕДУПРЕЖДЕНИЕ Прочетете всички предупреждения за безопасност и всички инструкции.

Неспазването на това предупрежденията и инструкциите може да доведе до токов удар, пожар и / или сериозни наранявания.

Запазете всички предупреждения и инструкции за бъдеща справка.

Този уред може да се използва от деца на възраст над 8 години, както и от лица с намалени физически, сензорни или умствени способности или от такива, които нямат съответния опит и познания, при условие че въпросните лица са били инструктирани относно безопасната експлоатация на електрическия уред и са наясно с рисковете, които съпътстват боравенето с него. Децата не бива да си играят с уреда. Почистването и поддръжката не трябва да се извършва от деца без надзор.

Ако захранващият кабел бъде повреден, той трябва да бъде подменен от производителя, от обслужващия го представител или от друго компетентно лице с цел избягване на опасности.

ДОПЪЛНИТЕЛНИ ИНСТРУКЦИИ ЗА БЕЗОПАСНОСТ ПРИ РАБОТА С ВАШЕТО ЗАРЯДНО УСТРОЙСТВО ЗА БАТЕРИИ

1. Прочетете тези инструкции преди да започнете да зареждате.
2. Не зареждайте протекла батерия.
3. Не използвайте зарядни устройства за цели различни от тези, за които са предвидени.
4. Преди презареждане се уверете, че вашето зарядно отговаря на местното

електрозахранване.

5. За употреба на закрито, не излагайте на дъжд.
6. Зарядното устройство трябва да бъде защитено от влага.
7. Не използвайте устройството за зареждане на открито.
8. Не свързвайте накъсо контактите на батерията или зарядното устройство.
9. Спазвайте поляритета „+/-“, когато зареждате.
10. Не отваряйте уреда и го дръжте на място, недостъпно за деца.
11. Не зареждайте батерии на други производители или неподходящи модели.
12. Уверете се, че връзката между зарядното устройство за батерии и батерията е правилно разположена и не е възпрепятствана от други чужди тела.
13. Пазете слотовете на зарядното устройство без чужди предмети и ги предпазвайте от замърсяване и влага. Съхранявайте на сухо място, без опасност от замръзване.
14. Когато зареждате батериите, се уверете, че зарядното устройство се намира в добре проветриво място и далече от запалими материали. Батериите могат да станат горещи при зареждане. Не презареждайте прекомерно батериите. Уверете се, че батериите и зарядните не са оставени без надзор по време на зареждане.
15. Не презареждайте непрезаредящи се батерии, тъй като те могат да прегреят и да се пръснат.
16. Ако батерияният пакет се зарежда при температура на въздуха между 18 °C и 24 °C, това ще му осигури по-дълъг живот и по-добра работа. Не зареждайте батерията опакованите при температури на въздуха под 0 °C или над 40 °C. Това е важно, тъй като може да предотврати сериозни повреди на батерияния пакет.
17. Зареждайте само батерияни пакети от същия модел, предвиден от WESCO и от модели, препоръчани от WESCO.

СИМВОЛ



За да се намали рискът от наранявания, потребителят трябва да прочете ръководството с инструкции.



Предупреждение



Носете антифони



Носете защитни очила



Носете противопрахова маска



Само за вътрешна употреба (зарядно устройство)



Прочетете ръководството за експлоатация



Батериите могат да влязат във водния цикъл, ако бъдат изхвърлени неправилно, което може да бъде опасно за екосистема. Не изхвърляйте отпадъци батерии като несортирани битови отпадъци.



Не изгаряйте



Положителна клема



Отрицателна клема



Li-Ion батерия Този продукт е бил маркирани със символ, свързан с „отделно“. колекция“ за всички батерийни пакети и батерия опаковка. След това ще бъде рециклиран или демонтиран за да се намали въздействието върху заобикаляща среда. Батерийните пакети могат да бъдат опасни за околната среда и за човешкото здраве, тъй като съдържат опасни вещества.



Излезлите от употреба електрически продукти не бива да бъдат изхвърляни заедно с битовите отпадъци. Моля, използвайте рециклиращи съоръжения там, където има такива. Информация за рециклирането можете да получите от местните власти или от съответния търговец на дребно.



Двойна изолация (зарядно)



Предпазител

ИНСТРУКЦИИ ЗА РАБОТА



ЗАБЕЛЕЖКА: Преди да използвате инструмента, прочетете книжката с инструкциите внимателно.

ПРЕДНАЗНАЧЕНИЕ

Машината е предназначена за завиване и развиване на винтове, както и за пробиване в дърво, метал, пластмасата, зидария и бетон.

ПРЕДИ ОПЕРАЦИЯ

1. ЗАРЕЖДАНЕ НА БАТЕРИЯТА (ВИЖТЕ ФИГ. A1, A2)

- Не използвайте зарядно устройство, различно от това, което е специално предоставено за употреба с оборудването.
- Ако батерията е много гореща, трябва да извадите батерията от зарядното устройство и да оставите батерията да се охлади, преди да я презаредите.
- Батерията във вашия нов инструмент не е заредена, когато напусне завода. Следователно той трябва да бъде напълно зареден, преди да го използвате за първи път.
- Моля, заредете батерията до пълно или не по-малко от половин заряд преди съхранение. Ако инструментът няма да се използва за дълги периоди от време, зареждайте батерията на всеки 3-6 месеца.

ПРЕМАХВАНЕ ИЛИ ИНСТАЛИРАНЕ НА БАТЕРИЯ НА ЗАРЯДНОТО УСТРОЙСТВО


Плъзнете батерията в порта за батерията на зарядното устройство. Просто натискане и лек натиск ще бъде достатъчен. Натиснете батерията първо освободете здраво бутон и след това плъзнете батерията навън от зарядното.

ПРОЦЕДУРА НА ЗАРЕЖДАНЕ

- Включете зарядното устройство в подходящ контакт. Светлината ще свети зелено.
- Плъзнете батерията в зарядното устройство, светлината ще светне в червено, за да покаже, че процесът на зареждане е започнал.
- Когато зареждането приключи, светлината ще светне в зелено. Пакетът вече е напълно зареден, изключете зарядното устройство и извадете пакета батерии.

ИНДИКАТОР ЗА ЗАРЕЖДАНЕ

Това зарядно устройство е проектирано да открива някои проблеми, които могат да възникнат с батерии. Светлинните индикатори показват проблеми (вижте таблицата по-долу). Ако това се случи, поставете нова батерия, за да определите дали зарядното устройство е наред. Ако новата батерия се зарежда правилно, тогава оригиналната опаковка е дефектна и трябва да бъде върната в сервизен център или център за рециклиране. Ако новият пакет батерии показва същия проблем като оригиналния пакет батерии, дайте зарядното устройство да бъде тествано в оторизиран сервизен център.

Светлина	Статус
Включено червено 	Зареждане

Зелено включено



Напълно зареден



ПРЕДУПРЕЖДЕНИЕ: Когато зарядът на батерията се изтощи след продължителна употреба или излагане на пряка слънчева светлина или топлина, оставете инструмента да се охлади преди повторно зареждане, за да постигнете пълно зареждане.

2. ОТСТРАНЯВАНЕ ИЛИ ПОСТАВЯНЕ НА БАТЕРИЯ (ВИЖТЕ ФИГ. В, С)

Натиснете бутона за освобождаване на батерията и извадете батерията от инструмента. След презареждане плъзнете батерията в порта за батерията на инструмента. Едно просто натискане и лек натиск ще бъдат достатъчни.

ЕКСПЛОАТАЦИЯ

1. КЛЮЧ ЗА ВКЛ./ИЗКЛ. (ВИЖТЕ ФИГ. D)

Натиснете превключвателя за включване/изключване, за да стартирате и го отпуснете, за да спрете бормашината. Превключвателят за включване/изключване е снабден със спирална функция, която спира незабавно патронника, когато бързо освободите превключвателя.

Това също е превключвател с променлива скорост, който осигурява по-висока скорост и въртящ момент с повишен натиск на спусъка. Скоростта се контролира от степента на натискане на спусъка на превключвателя.



ПРЕДУПРЕЖДЕНИЕ: Не работете за дълги периоди на ниска скорост, защото вътрешно ще се генерира излишна топлина. Когато възникне претоварване, незабавно освободете превключвателя за включване/изключване, за да избегнете прегряване на двигателя.

2. ЗАКЛЮЧВАНЕ НА ПРЕВКЛЮЧВАТЕЛЯ (ВИЖТЕ ФИГ. E)

Спусъкът на превключвателя може да бъде заключен в положение OFF. Това помага да се намали възможността от случайно стартиране, когато не се използва. За да заключите спусъка на превключвателя, натиснете контрола за въртене в централна позиция.

3. УПРАВЛЕНИЕ НА ВЪРТЕНЕТО НАПРЕД И НАЗАД (ВИЖТЕ ФИГ. F1, F2)

Въртене напред: натиснете контрола за въртене напред/назад наляво (свредлото сочи настрани от вас). Използва се за пробиване и завинтване.

Обратно въртене: натиснете контрола за въртене напред/назад надясно (свредлото сочи настрани от вас). Използва се за отвиване на винтове или освобождаване на заседнало свредло.



ПРЕДУПРЕЖДЕНИЕ: Никога не променяйте посоката на въртене, когато

патронникът се върти, изчакайте да спре!

4. УПРАВЛЕНИЕ НА ДВЕ СКОРОСТИ (ВИЖТЕ ФИГ. G)

Бормашината има двускоростно управление на предавките, предназначено за пробиване или задвижване при НИСКА (маркировка е 1) или НИ (маркировка е 2) скорости. Плъзгач превключвател е разположен в горната част на бормашината за избор на НИСКА или ВИСОКА скорост. Когато използвате бормашината в скоростен диапазон LO, скоростта ще намалее и бормашината ще има по-голяма мощност и въртящ момент. Когато използвате бормашината в скоростен диапазон HI, скоростта ще се увеличи и бормашината ще има по-малко мощност и въртящ момент.

СКОРОСТ I

Диапазон на ниска скорост: за завинтване или работа с голям диаметър на пробиване.

СКОРОСТ II

Висок скоростен диапазон: за работа с малък диаметър на пробиване.



ПРЕДУПРЕЖДЕНИЕ: За да предотвратите повреда на предавката, винаги оставайте патронника да спре напълно, преди да промените посоката на въртене или двускоростното управление на предавката.

Когато претоварването се случва често на високоскоростната предавка, превключете на нискоскоростната предавка, за да избегнете прегряване на двигателя.

5. РЕГУЛИРАНЕ НА ПАТРОННИКА (ВИЖТЕ ФИГ. H)

За да отворите челюстите на патронника, завъртете предната част на патронника. Поставете свредлото между челюстите на патронника и завъртете предната част в обратна посока. Уверете се, че свредлото е в центъра на челюстите на патронника. Накрая завъртете здраво предния патронник в противоположни посоки. Вашето свредло вече е захванато в патронника.

6. РЕГУЛИРАНЕ НА ВЪРТЯЩИЯ МОМЕНТ (ВИЖТЕ ФИГ. I1-I2)

Въртящият момент се регулира чрез завъртане на пръстена за регулиране на въртящия момент. Въртящият момент е по-голям, когато пръстенът за регулиране на въртящия момент е настроен на по-висока настройка. Въртящият момент е по-малък, когато пръстенът за регулиране на въртящия момент е настроен на по-ниска настройка (вижте Фиг. I1)

а. За функцията за завинтване

За да изберете функцията за завинтване, завъртете пръстена за избор на функция, така че да подравните символа на винта с триъгълния индикатор в горната част на корпуса на свредлото (вижте Фиг. I2-а).

За да регулирате настройката на въртящия момент,

завъртете пръстена за регулиране на въртящия момент, за да подравните необходимия номер на настройка на въртящия момент с триъгълния индикатор в горната част на свредлото. Колкото по-голямо е числото, толкова по-висок е изходящият въртящ момент.

б. За функцията на пробиване




ЗАБЕЛЕЖКА: Когато използвате функцията за пробиване, управлението на въртящия момент няма ефект върху мощността на свредлото. За да изберете функцията за пробиване, завъртете пръстена за избор на функция, така че символът на свредлото да се изравни с триъгълния индикатор в горната част на корпуса на свредлото (вижте Фиг. I2-b).

Функцията за пробиване се използва за пробиване на отвори в метал, цветни материали, дърво, пластмаса и подобни материали.

с. За функцията на чука

ЗАБЕЛЕЖКА: Когато използвате функцията за ударно пробиване, контролът на въртящия момент няма ефект върху мощността на свредлото. За да изберете функцията на удара, завъртете пръстена за избор на функция, така че символът на функцията на удара да се изравни с триъгълния индикатор в горната част на корпуса на свредлото (вижте Фиг. I2-c).

Направете настройката, както следва:

	1 - 5 за завинтване на малки винтове
	6 - 11 за завиване на винтове в мек материал
	12 - 16 за завиване на винтове в мек и твърд материал
	17 - 22 за завинтване на винтове в твърдо дърво
	23 - 25 за завинтване на по-големи винтове
	за тежко сондиране
	за пробиване в зидария и бетон

7. ИЗПОЛЗВАНЕ НА LED СВЕТЛИНАТА

За да включите светлината, просто натиснете бутона за включване/изключване. Когато пуснете превключвателя за включване/изключване, светлината ще изгасне. LED осветлението увеличава видимостта - чудесно за тъмни или затворени помещения. Светодиодът също е индикатор за капацитета на батерията. Той ще мига, когато мощността намалее.

8. ИЗПОЛЗВАНЕ НА ЩИПКА ЗА КОЛАН (ВИЖТЕ ФИГ. J)

Завийте щипката за колан на инструмента с винта. Щипката за колан може да се закачи на колана или джоба ви и т.н.

9. ИНДИКАТОР ЗА КАПАЦИТЕТА НА БАТЕРИЯТА

Вашият инструмент е оборудван с индикатор за капацитета на батерията. Натиснете превключвателя за включване/изключване

наполовина или докрай, батерията индикаторът за капацитет ще светне, за да покаже количеството на остатъчен заряд в батерията.

Индикатор за гориво	Капацитет
3 светлини	> 70%
2 светлини	40%-70%
1 светлина	< 40%

10. СОНДАЖИ

Когато пробивате в твърда гладка повърхност, използвайте централен перфоратор, за да маркирате желаното място на отвора. Това ще попречи на свредлото да се изплъзне от центъра при започване на отвора. Дръжте инструмента здраво и поставете върха на свредлото в точката, в която ще пробие. Натиснете спусъка на превключвателя, за да стартирате инструмента. Преместете свредлото в детайла, като прилагате достатъчно натиск, за да продължите да реже. Не насиливайте и не прилагайте страничен натиск, за да удължите дупка.

⚠ ПРЕДУПРЕЖДЕНИЕ: Свредлата от волфрамов карбид винаги трябва да се използват за бетон и зидария. Когато пробивате в метал, използвайте само HSS свредла в добро състояние. Винаги използвайте магнитен държач за битове (не е включен), когато използвате къси битове за отвертка. Когато завинтвате, нанесете малко количество течен сапун или подобен върху резбите на винта, за да улесните поставянето.

11. ЗАЩИТА ОТ ПРЕТОВАРВАНЕ

При претоварване двигателят спира. Незабавно облекчете машината и оставете да се охлади за припл. 30 секунди при най-висока скорост на празен ход.

12. ЗАВИСИМА ОТ ТЕМПЕРАТУРА ЗАЩИТА ОТ ПРЕТОВАРВАНЕ

При използване по предназначение електроинструментът не може да бъде подложен на претоварване. Когато товарът е твърде голям или допустимата температура на батерията от 75°C е превишена, електронното управление изключва електроинструмента, докато температурата отново достигне оптималния температурен диапазон.

13. ЗАЩИТА СРЕЩУ ДЪЛБОКО РАЗРЕЖДАНЕ

Литиево-йонната батерия е защитена срещу дълбоко разреждане чрез „Система за защита от разреждане“. Когато батерията е изтощена, машината се изключва чрез защитна верига:

Поставеният инструмент вече не се върти.

СЪВЕТИ ЗА РАБОТА С ВАШАТА БОРМАШИНА

1. ЗАЩО СОРМАТИРАНЕТО НЕ СЕ ВКЛЮЧВА, КОГАТО НАТИСНЕТЕ ПРЕВКЛЮЧАТЕЛЯ?

Контролът за въртене напред/назад, който е отгоре на спусъка, е позициониран във функцията за заключване. Отключете контрола за въртене напред/назад, като го поставите в желаната позиция за въртене. Натиснете спусъка и свредлото ще започне да се върти.

2. БОРМАШИНАТА СПИРА ПРЕДИ ВИНТЪТ ДА БЪДЕ ЗАТЯГНАТ НАПЪЛНО. ЗАЩО?

Проверете позицията на въртящия момент на пръстена за регулиране на въртящия момент, можете да намерите пръстена за регулиране на въртящия момент между патронника и тялото на свредлото. Позиция 1 е най-ниският въртящ момент (задвижваща сила на винта), а позиция 25 е най-високият въртящ момент (задвижваща сила на винта). Позиция 8 е за работа на бормашина. Позиция 17 е за работа с перфоратор. Регулирайте пръстена за регулиране на въртящия момент на по-висока позиция, за да постигнете най-добър резултат.

3. ПРИЧИНИ ЗА РАЗЛИЧНОТО ВРЕМЕ НА

Проблеми с времето за зареждане и неизползване на батерия за продължително време ще намалят работното време на батерията. Това може да се коригира след няколко операции на зареждане и разреждане чрез зареждане и работа с вашата бормашина. Тежките работни условия, като големи винтове в твърдо дърво, ще изразходват енергията на батерията по-бързо от по-леките работни условия. Не зареждайте отново батерията си под 0°C и над 40°C, тъй като това ще повлияе на работата.

ПОДДРЪЖКА

Извадете батерията от инструмента, преди да извършите каквото и да е настройка, обслужване или поддръжка.

Вашият инструмент не изисква допълнително смазване или поддръжка. Няма части, които могат да бъдат обслужвани от потребителя във вашия електроинструмент. Никога не използвайте вода или химикали за почистване на вашия електроинструмент. Почиствайте със сухо парче плат. Винаги съхранявайте вашия електроинструмент на сухо място. Поддържайте отворите за вентилация на мотора чисти. Пазете всички работни контроли без прах. Понякога може да забележите искри през отворите за вентилация. Това е нормално и няма да повреди вашия електроинструмент.

ЗА ИНСТРУМЕНТИ С БАТЕРИИ

Диапазонът на околната температура за употреба и съхранението на инструмента и батерията е 0 °C-45 °C.

Препоръчителният температурен диапазон на околната среда за зареждащата система по време на зареждане е 0 °C-40 °C.

ОПАЗВАНЕ НА ОКОЛНАТА СРЕДА



Излезлите от употреба електрически продукти не бива да бъдат изхвърляни заедно с битовите отпадъци. Моля,

използвайте рециклиращи съоръжения там, където има такива. Информация за рециклирането можете да получите от местните власти или от съответния търговец на дребно.

ДЕКЛАРАЦИЯ ЗА СЪОТВЕТСТВИЕ

Ние,
POSITEC Germany GmbH
Postfach 32 02 16, 50796 Cologne, Germany

Декларираме, че продуктът
Описание **Бормашина на батерии**
Модел обозначение **WS2419K2**
(24-обозначение на машини,
представител на акумулаторна ударна
бормашина)
Функция **Пробиване**

Отговаря на следните Директиви:

2006/42/EC
2011/65/EU & (EU)2015/863,
2014/30/EU
2014/35/EU
2006/66/EC & 2013/56/EU

както и на стандартите:

EN 62841-1
EN 62841-2-1
EN 55014-1
EN 55014-2
EN 60335-1
EN 60335-2-29
EN 62233
EN IEC 61000-3-2
EN 61000-3-3
EN 62133-2

Лице, оторизирано да изготвя техническото досие,

Име **Marcel Filz**
Адрес **POSITEC Germany GmbH**
Postfach 32 02 16, 50796 Cologne, Germany



2023/04/04

Allen Ding

Заместник-главен инженер, отговарящ за
тестването и сертифицирането
Positec Technology (China) Co., Ltd
18, Dongwang Road, Suzhou Industrial
Park, Jiangsu 215123, P. R. China

WESCO