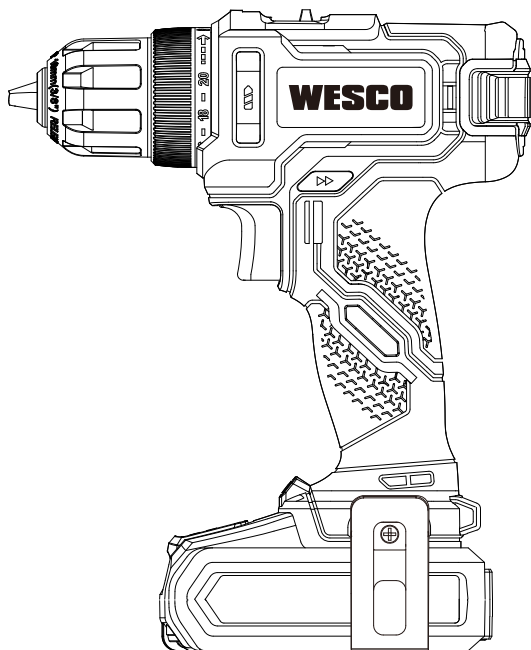


WESCO



WS2388 (CDT218W3)

2 YEAR
Warranty

• Cordless drill driver	EN	P06
• Akku-Bohrschrauber	DE	P13
• Perceuse visseuse sans fil	FR	P21
• Trapano a batteria	IT	P29
• Taladro atornillador inalámbrico	ES	P37
• Акумулаторен винтоверт	BG	P45

Original instructions

EN

Originalbetriebsanleitung

DE

Notice originale

FR

Istruzioni originali

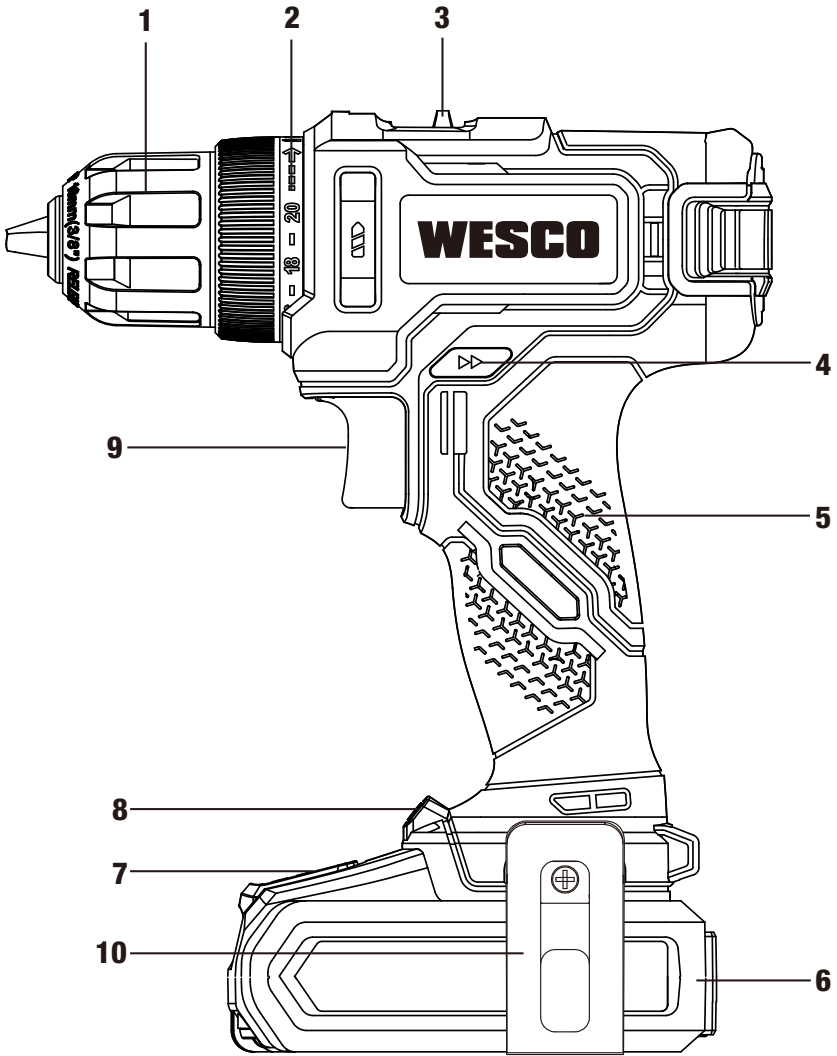
IT

Manual original

ES

Оригинални инструкции

BG



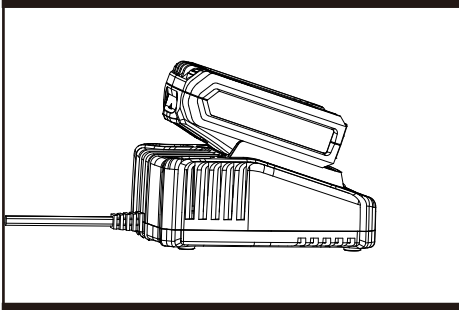


Fig.A1

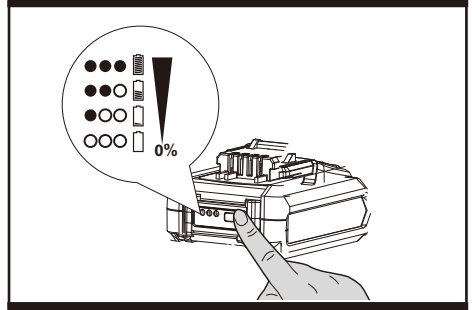


Fig.A2

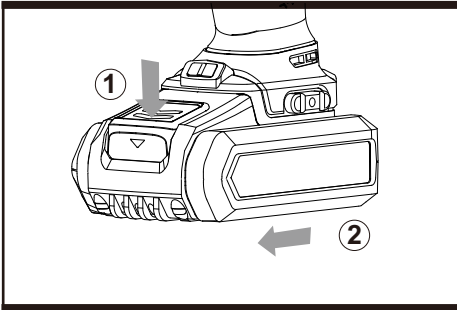


Fig.B1

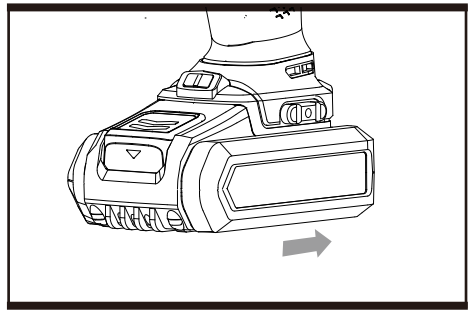


Fig.B2

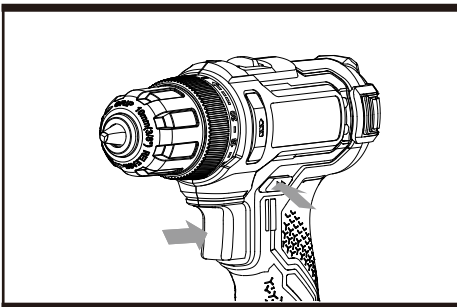


Fig.C

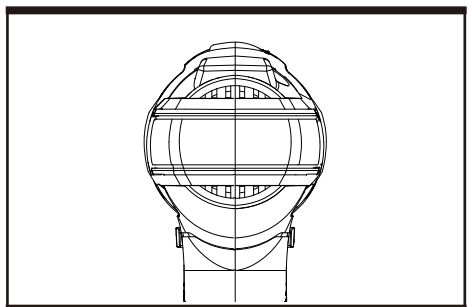


Fig.D

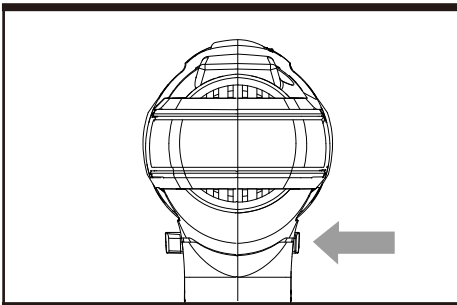


Fig.E

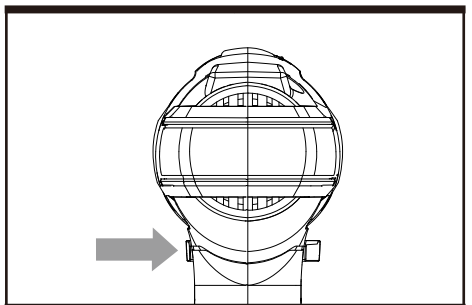


Fig.F

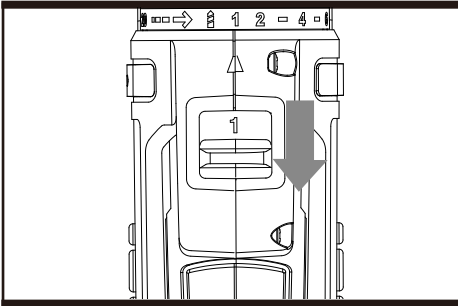


Fig.G

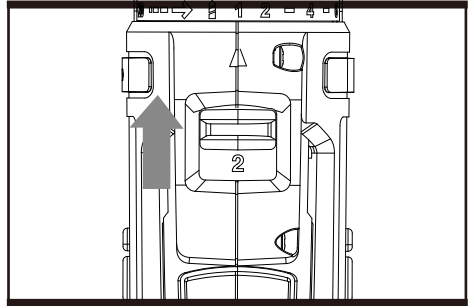


Fig.H

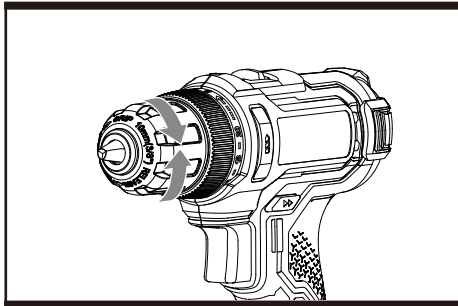


Fig.I

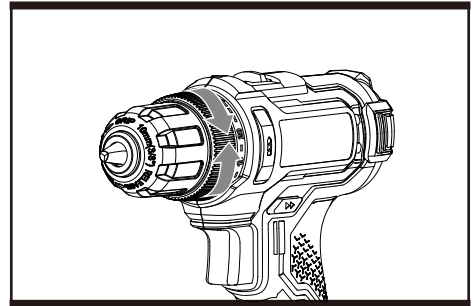


Fig.J

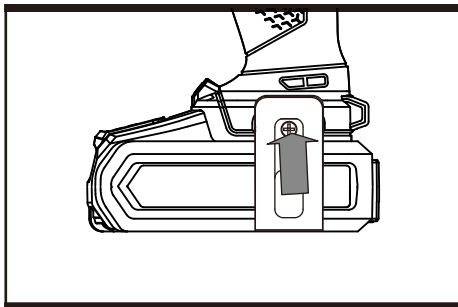





Fig.K

COMPONENT LIST

1. Keyless Chuck
2. Torque Adjustment Ring
3. Two-speed Gear Control
4. Forward/Reverse Rotation Control
5. Soft Grip Handle
6. Battery Pack
7. Battery Pack Release Button
8. LED Light
9. On/Off Switch
10. Belt Clip

TECHNICAL DATA

Type WS2388 (23 - designation of machinery, representative of cordless drill driver)

Rated voltage	18V 
Rated no-load speed	0-400/1600 /min
Max torque	30 Nm
Machine weight	1.2 kg
Charger input (WS9969)	100-240V~50/60Hz, 55W
Charger output (WS9969)	20 V  2.0 A
Protection class	 /II
Charging time	1 hr
Battery capacity (WS9970)	2.0 Ah Li-ion

NOISE INFORMATION

A weighted sound pressure
A weighted sound power
 K_{pa} & K_{wa}

L_{PA} = 70 dB(A)
 L_{WA} = 81 dB(A)
5 dB(A)

Wear ear protection.

VIBRATION INFORMATION

Vibration total values (triax vector sum) determined according to EN 62841:

Vibration emission value $a_{nID} = 3,86 \text{ m/s}^2$

Uncertainty $K = 1.5 \text{ m/s}^2$

The declared vibration total value and the declared noise emission value have been measured in accordance with a standard test method and may be used for comparing one tool with another.

The declared vibration total value and the declared noise emission value may also be used in a preliminary assessment of exposure.



WARNING: The vibration and noise emissions during actual use of the power tool can differ from the declared value depending on the ways in which the tool is used especially what kind of workpiece is processed dependant on the following examples and other

variations on how the tool is used:

How the tool is used and the materials being cut or drilled.

The tool being in good condition and well maintained.

The use of the correct accessory for the tool and ensuring it is sharp and in good condition.

The tightness of the grip on the handles and if any anti vibration and noise accessories are used.

And the tool is being used as intended by its design and these instructions.

This tool may cause hand-arm vibration syndrome if its use is not adequately managed.



WARNING: To be accurate, an estimation of exposure level in the actual conditions of use should also take account of all parts of the operating cycle such as the times when the tool is switched off and when it is running idle but not actually doing the job. This may significantly reduce the exposure level over the total working period.

Helping to minimise your vibration and noise exposure risk.

Always use sharp chisels, drills and blades.

Maintain this tool in accordance with these instructions and keep well lubricated (where appropriate).

If the tool is to be used regularly then invest in anti vibration and noise accessories.

Plan your work schedule to spread any high vibration tool use across a number of days.

ACCESSORIES

Charger (WS9969)	1
Battery pack (WS9970)	1
Belt Clip	1

We recommend that you purchase your accessories from the same store that sold you the tool. Refer to the accessory packaging for further details. Store personnel can assist you and offer advice.

PRODUCT SAFETY

GENERAL POWER TOOL SAFETY WARNINGS



WARNING! Read all safety warnings, instructions, illustrations and specifications provided with this power tool. Failure to follow all instructions listed below may result in electric shock, fire and/or serious injury.

Save all warnings and instructions for future reference.

The term "power tool" in the warnings refers to your mains-operated (corded) power tool or battery-operated (cordless) power tool.

1. WORK AREA SAFETY

- a) **Keep work area clean and well lit.** Cluttered or dark areas invite accidents.
- b) **Do not operate power tools in explosive atmospheres, such as in the presence of flammable liquids, gases or dust.** Power tools create sparks which may ignite the dust or fumes.
- c) **Keep children and bystanders away while operating a power tool.** Distractions can cause you to lose control.

2. ELECTRICAL SAFETY

- a) **Power tool plugs must match the outlet.** Never modify the plug in any way. Do not use any adapter plugs with earthed (grounded) power tools. Unmodified plugs and matching outlets will reduce risk of electric shock.
- b) **Avoid body contact with earthed or grounded surfaces, such as pipes, radiators, ranges and refrigerators.** There is an increased risk of electric shock if your body is earthed or grounded.
- c) **Do not expose power tools to rain or wet conditions.** Water entering a power tool will increase the risk of electric

shock.

- d) **Do not abuse the cord.** Never use the cord for carrying, pulling or unplugging the power tool. Keep cord away from heat, oil, sharp edges or moving parts. Damaged or entangled cords increase the risk of electric shock.
- e) **When operating a power tool outdoors, use an extension cord suitable for outdoor use.** Use of a cord suitable for outdoor use reduces the risk of electric shock.
- f) **If operating a power tool in a damp location is unavoidable, use a residual current device (RCD) protected supply.** Use of an RCD reduces the risk of electric shock.

3. PERSONAL SAFETY

- a) **Stay alert, watch what you are doing and use common sense when operating a power tool. Do not use a power tool while you are tired or under the influence of drugs, alcohol or medication.** A moment of inattention while operating power tools may result in serious personal injury.
- b) **Use personal protective equipment. Always wear eye protection.** Protective equipment such as dust mask, non-skid safety shoes, hard hat, or hearing protection used for appropriate conditions will reduce personal injuries.
- c) **Prevent unintentional starting.** Ensure the switch is in the off-position before connecting to power source and/or battery pack, picking up or carrying the tool. Carrying power tools with your finger on the switch or energising power tools that have the switch on invites accidents.
- d) **Remove any adjusting key or wrench before turning the power tool on.** A wrench or a key left attached to a rotating part of the power tool may result in personal injury.
- e) **Do not overreach. Keep proper footing and balance at all times.** This enables better control of the power tool in unexpected situations.
- f) **Dress properly. Do not wear loose clothing or jewellery. Keep your hair and clothing away from moving parts.**

Loose clothes, jewellery or long hair can be caught in moving parts.

- g) **If devices are provided for the connection of dust extraction and collection facilities, ensure these are connected and properly used.** *Use of dust collection can reduce dust-related hazards.*
- h) **Do not let familiarity gained from frequent use of tools allow you to become complacent and ignore tool safety principles.** *A careless action can cause severe injury within a fraction of a second.*

4. POWER TOOL USE AND CARE

- a) **Do not force the power tool. Use the correct power tool for your application.** *The correct power tool will do the job better and safer at the rate for which it was designed.*
- b) **Do not use the power tool if the switch does not turn it on and off.** *Any power tool that cannot be controlled with the switch is dangerous and must be repaired.*
- c) **Disconnect the plug from the power source and/or remove the battery pack, if detachable, from the power tool before making any adjustments, changing accessories, or storing power tools.** *Such preventive safety measures reduce the risk of starting the power tool accidentally.*
- d) **Store idle power tools out of the reach of children and do not allow persons unfamiliar with the power tool or these instructions to operate the power tool.** *Power tools are dangerous in the hands of untrained users.*
- e) **Maintain power tools and accessories. Check for misalignment or binding of moving parts, breakage of parts and any other condition that may affect the power tool's operation. If damaged, have the power tool repaired before use.** *Many accidents are caused by poorly maintained power tools.*
- f) **Keep cutting tools sharp and clean.** *Properly maintained cutting tools with sharp cutting edges are less likely to bind and are easier to control.*
- g) **Use the power tool, accessories and tool bits etc. in accordance with these instructions, taking into account the working conditions and the work to be performed.** *Use of the power tool for operations different from those intended could result in a hazardous situation.*
- h) **Keep handles and grasping surfaces dry, clean and free from oil and grease.** *Slippery handles and grasping surfaces do not allow for safe handling and control of the tool in unexpected situations.*

5. BATTERY TOOL USE AND CARE

- a) **Recharge only with the charger specified by the manufacturer.** *A charger that is suitable for one type of battery pack may create a risk of fire when used with another battery pack.*
- b) **Use power tools only with specifically designated battery packs.** *Use of any other battery packs may create a risk of injury and fire.*
- c) **When battery pack is not in use, keep it away from other metal objects, like paper clips, coins, keys, nails, screws or other small metal objects, that can make a connection from one terminal to another.** *Shorting the battery terminals together may cause burns or a fire.*
- d) **Under abusive conditions, liquid may be ejected from the battery; avoid contact. If contact accidentally occurs, flush with water. If liquid contacts eyes, additionally seek medical help.** *Liquid ejected from the battery may*

cause irritation or burns.

- e) **Do not use a battery pack or tool that is damaged or modified.** *Damaged or modified batteries may exhibit unpredictable behaviour resulting in fire, explosion or risk of injury.*
 - f) **Do not expose a battery pack or tool to fire or excessive temperature.** *Exposure to fire or temperature above 130°C may cause explosion.*
 - g) **Follow all charging instructions and do not charge the battery pack or tool outside the temperature range specified in the instructions.** *Charging improperly or at temperatures outside the specified range may damage the battery and increase the risk of fire.*
- #### 6. SERVICE
- a) **Have your power tool serviced by a qualified repair person using only identical replacement parts.** *This will ensure that the safety of the power tool is maintained.*
 - b) **Never service damaged battery packs.** *Service of battery packs should only be performed by the manufacturer or authorized service providers.*

DRILL SAFETY WARNINGS

- 1) **SAFETY INSTRUCTIONS FOR ALL OPERATIONS**
 - a) **Wear ear protectors when impact drilling.** *Exposure to noise can cause hearing loss.*
 - b) **Hold the power tool by insulated gripping surfaces, when performing an operation where the cutting accessory or fasteners may contact hidden wiring.** *Cutting accessory or fasteners contacting a "live" wire may make exposed metal parts of the power tool "live" and could give the operator an electric shock.*
- 2) **SAFETY INSTRUCTIONS WHEN USING LONG DRILL BITS**
 - a) **Never operate at higher speed than the maximum speed rating of the drill bit.** *At higher speeds, the bit is likely to bend if allowed to rotate freely without contacting the workpiece, resulting in personal injury.*
 - b) **Always start drilling at low speed and with the bit tip in contact with the workpiece.** *At higher speeds, the bit is likely to bend if allowed to rotate freely without contacting the workpiece, resulting in personal injury.*
 - c) **Apply pressure only in direct line with the bit and do not apply excessive pressure.** *Bits can bend causing breakage or loss of control, resulting in personal injury.*

SAFETY WARNINGS FOR BATTERY PACK

- a) **Do not dismantle, open or shred cells or battery pack.**
- b) **Do not short-circuit a battery pack. Do not store battery packs haphazardly in a box or drawer where they may short-circuit each other or be short-circuited by conductive materials.** *When battery pack is not in use, keep it away from other metal objects, like paper clips, coins, keys, nails, screws or other small metal objects, that can make a connection from one terminal to another. Shorting the battery terminals together may cause burns or a fire.*
- c) **Do not expose battery pack to heat or fire. Avoid storage in direct sunlight.**
- d) **Do not subject battery pack to mechanical shock.**
- e) **In the event of battery leaking, do not allow the liquid to come into contact with the skin or eyes. If contact**

has been made, wash the affected area with copious amounts of water and seek medical advice.

- f) Keep battery pack clean and dry.
- g) Wipe the battery pack terminals with a clean dry cloth if they become dirty.
- h) Battery pack needs to be charged before use. Always refer to this instruction and use the correct charging procedure.
- i) Do not maintain battery pack on charge when not in use.
- j) After extended periods of storage, it may be necessary to charge and discharge the battery pack several times to obtain maximum performance.
- k) Recharge only with the charger specified by WESCO. Do not use any charger other than that specifically provided for use with the equipment.
- l) Do not use any battery pack which is not designed for use with the equipment.
- m) Keep battery pack out of the reach of children.
- n) Retain the original product literature for future reference.
- o) Remove the battery from the equipment when not in use.
- p) Dispose of properly.
- q) Do not mix cells of different manufacture, capacity, size or type within a device.
- r) Keep the battery away from microwaves and high pressure.
- s) Warning! Do not use non-rechargeable batteries.

GENERAL SAFETY WARNINGS FOR BATTERY CHARGER



WARNING! Read all safety warnings and all instructions. Failure to follow the warnings and

instructions may result in electric shock, fire and/or serious injury.

Save all warnings and instructions for future reference.

- This appliance is not intended for use by persons (including children) with reduced physical, sensory or mental capabilities, or lack of experience and knowledge, unless they have been given supervision or instruction concerning use of the appliance by a person responsible for their safety.
 - Children should be supervised to ensure that they do not play with the appliance.
- If the supply cord is damaged, it must be replaced by the manufacturer, its service agent or similarly qualified persons in order to avoid a hazard.

ADDITIONAL SAFETY INSTRUCTIONS FOR YOUR BATTERY CHARGER

1. Before charging, read the instructions.
2. Do not charge a leaking battery.
3. Do not use chargers for works other than those for which they are designed.
4. Before charging, ensure your charger is matching the local AC supply.
5. For indoor use, or do not expose to rain.
6. The charging device must be protected from moisture.
7. Do not use the charging device outdoors.
8. Do not short out the contacts of battery or charger.
9. Respect the polarity "+/-" when charging.
10. Do not open the unit and keep out of the reach of children.
11. Do not charge the batteries of other manufactures or ill-suited

models.

12. Ensure that the connection between the battery charger and battery is correctly positioned and is not obstructed by foreign bodies.
13. Keep battery charger's slots are free of foreign objects and protect against dirt and humidity. Store in a dry and frost-free place.
14. When charging batteries, ensure that the battery charger is in a well-ventilated area and away from inflammable materials. Batteries can get hot during charging. Do not overcharge any batteries. Ensure that batteries and chargers are not left unsupervised during charging.
15. Do not recharge non-rechargeable batteries, as they can overheat and break.
16. Longer life and better performance can be obtained if the battery pack is charged when the air temperature is between 18°C and 24°C. Do not charge the battery pack in air temperatures below 0°C, or above 40°C. This is important as it can prevent serious damage to the battery pack.
17. Charge only battery pack of the same model provided by WESCO and of models recommended by WESCO.

SYMBOLS



To reduce the risk of injury, user must read instruction manual



Warning



Wear ear protection



Wear eye protection



Wear dust mask



Indoor use only (Charger)



Indoor use only (Charger)



Batteries may enter water cycle if disposed improperly, which can be hazardous for ecosystem. Do not dispose of waste batteries as unsorted municipal waste.



Do not burn



Positive terminal



Negative terminal



Li-Ion battery This product has been marked with a symbol relating to 'separate collection' for all battery packs and battery pack. It will then be recycled or dismantled in order to reduce the impact on the environment. Battery packs can be hazardous for the environment and for human health since they contain hazardous substances.



Double insulation (Charger)



Fuse



Waste electrical products must not be disposed of with household waste. Please recycle where facilities exist. Check with your local authorities or retailer for recycling advice

OPERATING INSTRUCTIONS



NOTE: Before using the tool, read the instruction book carefully.

INTENDED USE:

This tool is intended for the fastening and loosening of bolts, nuts and various threaded fasteners. This tool is not intended for use as a drill.

BEFORE OPERATION

1. CHARGING THE BATTERY PACK

- Do not use any charger other than that specifically provided for use with the equipment.
- If the battery pack is very hot you must remove your battery pack from the charger and allow time for the battery to cool down before recharging.
- The battery in your new tool is not charged when it leaves the plant. Therefore it must be full charged before using the first time.
- Please charge the battery to reach full or no less than half charge before storage. If the tool will not be used for long periods of time, charge the battery every 3-6 months.





CHARGING PROCEDURE (SEE FIG. A1)

- Plug the charger into an appropriate outlet. The light will be green.
- Slide the battery pack into the charger, the light will turn to red to indicate the charging process has started.
- When charging is completed, the light will turn to green. The pack is now fully charged, unplug the charger and remove the battery pack.

CHARGING INDICATOR

This charger is designed to detect some problems that can arise with battery packs. Indicator lights indicate problems (see table below). If this occurs, insert a new battery pack to determine if the charger is OK. If the new battery charges correctly, then the original pack is defective and should be returned to a service

center or recycling service center. If the new battery pack displays the same problem as the original Battery Pack, have the charger tested at an authorized service center.

Light	Status
Red on  	Charging
Green on  	Fully Charged



WARNING: When battery charge runs out after continuously use or exposure to direct sunlight or heat, allow time for the tool to cool down before re-charging to achieve the full charge.

CHECKING THE POWER CONDITION OF BATTERY PACK (SEE FIG. A2)

The battery level can be known from the battery indicator light by pressing the button beside the lights.

2. TO REMOVE OR INSERT BATTERY PACK (SEE FIG. B1, B2)

Press the battery pack release button and remove the battery pack from the tool. After recharge slide the battery pack into tool's battery port. A simple push and slight pressure will be sufficient.

OPERATION

1. ON / OFF SWITCH (SEE FIG. C)

Depress the On/Off switch to start and release it to stop your drill. The on/off switch is fitted with a brake function which stops your chuck immediately when you quickly release the switch. It is also a variable speed switch that delivers higher speed and torque with increased trigger pressure. Speed is controlled by the amount of switch trigger depression.



WARNING: Do not operate for long periods at low speed because excess heat will be produced internally. When overload occurs, release the on/off switch immediately to avoid the motor overheating.

2. SWITCH LOCK (SEE FIG. D)

The switch trigger can be locked in the OFF position. This helps to reduce the possibility of accidental starting when not in use. To lock the switch trigger, place the forward/reverse rotation control in the center position.

3. SWITCH LOCK

The on/off switch can be locked in the OFF position. This helps to reduce the possibility of accidental starting when not in use. To lock the on/off switch, place the direction of rotation selector in the center position.

4. FORWARD/REVERSE ROTATION CONTROL (SEE FIG. E, F)

For forward rotation, (with chuck pointed away from you) move the rotation control to the left.

For reverse rotation, (with chuck pointed away from you) move the rotation control to the right.



WARNING: Never change the direction of rotation when the chuck is rotating, wait until it has stopped!

5. TWO-SPEED GEAR CONTROL (SEE FIG. G, H)

The drill has a two-speed gear control designed for drilling or driving at LO (mark is 1) or HI (mark is 2) speeds. A slide switch is located on top of the drill to select either LO or HI speed. When using the drill in the LO speed range, the speed will decrease and the drill will have greater power and torque. When using the drill in the HI speed range, the speed will increase and the drill will have less power and torque.

Gear I

Low speed range: for screwdriving or working with large drilling diameter.

Gear II

High speed range: for working with small drilling diameter. move the rotation control to the right.



WARNING: When overload occurs frequently on the high speed gear, switch to the low speed gear to avoid the motor overheating.

6. CHUCK ADJUSTMENT (SEE FIG. I)


To open the chuck jaws rotate the front section of the chuck. Insert the drill bit between the chuck jaws and rotate the front section in the opposite direction. Ensure the drill bit is in the center of the chuck jaws. Finally, firmly rotate the front chuck section in the opposite directions. Your drill bit is now clamped in the chuck.

7. TORQUE ADJUSTMENT (SEE FIG. J)

(Screw driving force of your drill driver)

The torque is adjusted by rotating the torque adjustment ring. The torque is greater when the torque adjustment ring is set on a higher setting. The torque is less when the torque adjustment ring is set on a lower setting.

Make the setting as follows:

1-4	for driving small screws
5-9	for driving screws into soft material
10-14	for driving screws into soft and hard material
15-19	for driving screws into hard wood
20	for driving larger screws
	for heavy drilling

8. USING BELT CLIP (SEE FIG. K)

Screw the Belt clip on the tool with the screw. The Belt clip can be hooked on your belt or pocket, etc.

9. USING THE SIGHT LIGHT

To turn on the light, press the on/off switch and make sure the forward/reverse rotation control is on right/left position. When you release the on/off switch, the light will be off.

LED lighting increases visibility-great for dark or enclosed area.

10. DRILLING

When drilling into a hard smooth surface, use a center punch to mark the desired hole location. This will prevent the drill bit from slipping off center as the hole is started.

Hold the tool firmly and place the tip of the bit at the point to be drilled.

Depress the switch trigger to start the tool.

Move the drill bit into the workpiece, applying only enough pressure to keep the bit cutting. Do not force or apply side pressure to elongate a hole.

Tungsten carbide drill bits should always be used for concrete and masonry. When drilling in metal, only use hss drill bits in good condition. Always use a magnetic bit holder when using short screwdriver bits. When screw-driving, apply a small quantity of liquid soap or similar to the screw threads to ease insertion.

11. OVERLOAD PROTECTION

When overloaded, the motor comes to a stop. Relieve the load on the tool immediately and release the on/off switch. Restart the tool as normal.

12. TEMPERATURE DEPENDENT OVERLOAD PROTECTION

When using as intended for the power tool cannot be subject to overload. When the load is too high or the allowable battery temperature is too hot, the electronic control switches off the power tool until the temperature is in the optimum temperature range again.

13. DISPOSAL OF AN EXHAUSTED BATTERY PACK




To preserve natural resources, please recycle or dispose of the battery pack properly. This battery pack contains Li-Ion Lithium batteries. Consult your local waste authority for information regarding available recycling and/or disposal options. Discharge your battery pack by operating your drill, then remove the battery pack from the drill housing and cover the battery pack connections with heavy-duty adhesive tape to prevent short circuit and energy discharge. Do not attempt to open or remove any of the components.

PROBLEM SOLUTION

1. Why does the drill not turn on when you press the switch?

The forward/reverse rotation control, which is on top of the trigger, is positioned in the lock function. Unlock the forward/reverse rotation control by putting it into the required rotation position. Push the trigger and the drill will start to rotate.

2. THE DRILL STOPS BEFORE THE SCREW IS COMPLETELY TIGHTENED. WHY?

Verify the torque position of the torque adjusting ring, you can find the torque-adjusting ring between the chuck and the drill body. Position 1 is the lowest torque (screw driving force) and position 20 is the highest torque (screw driving force). Position  is for drill operation. Regulate the torque adjusting ring to a higher position to reach the best result.

3. I CANNOT FIT THE BATTERY INTO THE BATTERY CHARGER. WHY?

The battery can be inserted into the charger only in one direction. Turn the battery around until it can be inserted into the slot.

4. REASONS FOR DIFFERENT BATTERY PACK WORKING TIMES

Charging time problems, and having not used a battery pack for a prolonged time will reduce the battery pack working time. This can be corrected after several charge and discharge operations by charging & working with your drill. Heavy working conditions such as large screws into hard wood will use up the battery pack energy faster than lighter working conditions. Do not re-charge your battery pack below 0oC and above 40oC as this will affect performance.

MAINTENANCE

Remove the battery pack from the tool before carrying out any adjustment, servicing or maintenance.

Your tool requires no additional lubrication or maintenance. There are no user serviceable parts in your power tool. Never use water or chemical cleaners to clean your power tool. Wipe clean with a dry cloth. Always store your power tool in a dry place. Keep the motor ventilation slots clean. Keep all working controls free of dust. Occasionally you may see sparks through the ventilation slots. This is normal and will not damage your power tool.

FOR BATTERY TOOLS

The ambient temperature range for the use and storage of tool and battery is 0°C-45°C.

The recommended ambient temperature range for the charging system during charging is 0°C-40°C.

ENVIRONMENTAL PROTECTION



Waste electrical products must not be disposed of with household waste. Please recycle where facilities exist.

Check with your local authorities or retailer for recycling advice.

DECLARATION OF CONFORMITY

We,
POSITEC Germany GmbH
Postfach 32 02 16, 50796 Cologne, Germany

On behalf of Positec declare that the product
Description **Cordless brushless impact wrench**
Type Designation **WS2388 (23- designation of machinery, representative of drill driver)**
Function **Tightening and loosening screws, nuts**

Complies with the following Directives,
2006/42/EC
2011/65/EU & (EU)2015/863
2014/30/EU
2014/35/EU
2006/66/EC & 2013/56/EU

Standards conform to
EN 62841-1
EN 62841-2-1
EN 55014-1
EN 55014-2
EN IEC 61000-3-2
EN 61000-3-3
EN 60335-1
EN 60335-2-29
EN 62233
EN 62133-2

The person authorized to compile the technical file,
Name Marcel Filz
Address POSITEC Germany GmbH
Postfach 32 02 16, 50796 Cologne, Germany






2023/04/04
Allen Ding
Deputy Chief Engineer, Testing & Certification
Positec Technology (China) Co., Ltd
18, Dongwang Road, Suzhou Industrial
Park, Jiangsu 215123, P. R. China

KOMPONENTEN

1. Schnellspannfutter
2. Drehmomenteinstellung
3. Gangschaltung mit zwei Geschwindigkeiten
4. Steuerung der Vorwärts-/Rückwärtsdrehung
5. Weicher Griff
6. Akkupack
7. Akku-Entriegelungstaste
8. LED-Licht
9. Ein-/Ausschalter
10. Gürtelclip

TECHNISCHE DATEN

Typ WS2388 (23 - Maschinenbezeichnung, stellvertretend für Akku-Bohrschrauber)

Nennspannung	18V 
Nennleerlaufdrehzahl	0-400/1600 /min
maximaler Drehmoment	30 Nm
Maschinengewicht	1.2 kg
Ladeeingang (WS9969)	100-240V~50/60Hz, 55W
Ladeausgang (WS9969)	20 V  2.0 A
Schutzklasse	 /II
Ladezeit	1 hr
Batteriekapazität (WS9970)	2.0 Ah Li-ion

INFORMATIONEN ÜBER LÄRM

Gewichteter Schalldruck

Gewichtete Schallleistung

K_{pa} & K_{wa}

Tragen Sie einen Gehörschutz.

$L_{PA} = 70$ dB(A)

$L_{WA} = 81$ dB(A)

5 dB(A)

INFORMATIONEN ÜBER VIBRATIONEN

Vibrations Gesamt Messwertermittlung gemäß EN 62841:

Vibrationsemissionswert $a_v = 3,86 \text{ m/s}^2$

Unsicherheit $K = 1.5 \text{ m/s}^2$

Der angegebene Vibrationsgesamtwert kann und der angegebene Vibrationsemissionswert wurden gemäß Standardprüfverfahren gemessen und können zum Vergleichen eines Werkzeug mit einem anderen verwendet werden.

Der angegebene Vibrationsgesamtwert und der angegebene Vibrationsemissionswert können auch für eine anfängliche Beurteilung der Beeinträchtigung verwendet werden.



WARNUNG: Die Vibrations- und Lärmemissionen bei der eigentlichen Nutzung des Elektrowerkzeugs können vom angegebenen Wert abweichen, je nachdem, wie das Werkzeug verwendet wird und insbesondere abhängig davon, welcher Werkstücktyp verarbeitet wird, und abhängig von folgenden Beispielen und verschiedenen Einsatzmöglichkeiten des Werkzeugs:

Wie das Werkzeug verwendet wird und Materialien geschnitten oder angebohrt werden.

Das Werkzeug ist in gutem Zustand und gut gepflegt.

Verwendung des richtigen Zubehörs für das Werkzeug und Gewährleistung seiner Schärfe und seines guten Zustands.

Die Festigkeit des Griffs auf den Handgriffen und, falls Antivibrations- und Lärmschutzzubehör verwendet wird.

Und ob das verwendete Werkzeug dem Design und diesen Anweisungen entsprechend verwendet wird.

Wird dieses Werkzeug nicht angemessen gehandhabt, kann es ein Hand-Arm-Vibrationssyndrom erzeugen.



WARNUNG: Um genau zu sein, sollte ein Abschätzung des Belastungsgrades aller Arbeitsabschnitte während tatsächlicher Verwendung berücksichtigt werden, z.B. die Zeiten, wenn das Werkzeug ausgeschaltet ist, und wenn es sich im Leerlauf befindet und eigentlich nicht eingesetzt wird. Auf diese Weise kann der Belastungsgrad während der gesamten Arbeitszeit wesentlich gemindert werden. Hilft dabei, das Risiko der Vibrations- und Lärmbelastung zu minimieren.

Verwenden Sie **IMMER** scharfe Meissel, Bohrer und Sägeblätter.

Pflegen Sie dieses Werkzeug diesen Anweisungen entsprechend und achten Sie auf eine gute Einfettung (wo erforderlich).

Falls das Werkzeug regelmäßig verwendet werden soll, investieren Sie in Antivibrations- und Lärmschutzzubehör.

Machen Sie einen Arbeitsplan, um die Verwendung von hochvibrierenden Werkzeugen auf mehrere Tage zu verteilen.

ZUBEHÖRTEILE

Ladegerät (WS9969)	1
Akku (WS9970)	1
Gürtelschnalle	1

Wir empfehlen Ihnen, sämtliche Zubehörteile beim selben Fachhändler zu beziehen, bei dem Sie auch Ihr Elektrowerkzeug gekauft haben. Weitere Informationen finden Sie auf der Verpackung der Zubehörteile. Auch Ihr Fachhändler berät Sie gerne.

PRODUKTSICHERHEIT

ALLGEMEINE SICHERHEITSHINWEISE FÜR ELEKTROWERKZEUGE



WARNUNG! Machen Sie sich mit allen Sicherheitswarnungen, Anweisungen, Abbildungen und Spezifikationen vertraut, die mit diesem Elektrowerkzeug geliefert werden. Die Nichtbeachtung der unten aufgeführten Anweisungen kann in elektrischen Schlägen, Feuer und/oder schweren Verletzungen resultieren.

Bewahren Sie alle Sicherheitshinweise und Anweisungen für die Zukunft auf.

Der in den Sicherheitshinweisen verwendete Begriff „Elektrowerkzeug“ bezieht sich auf akkubetriebene Elektrowerkzeuge (ohne Netzkabel).

1. ARBEITSPLATZSICHERHEIT

- a) Halten Sie Ihren Arbeitsbereich sauber und gut beleuchtet. Unordnung oder unbeleuchtete Arbeitsbereiche können zu Unfällen führen.
- b) Arbeiten Sie mit dem Elektrowerkzeug nicht in explosionsgefährdeter Umgebung, in der sich brennbare Flüssigkeiten, Gase oder Stäube befinden. Elektrowerkzeuge erzeugen Funken, die den Staub oder die Dämpfe entzünden können.
- c) Halten Sie Kinder und andere Personen während der Benutzung des Elektrowerkzeugs fern. Bei Ablenkung können Sie die Kontrolle über das Gerät verlieren.

2. ELEKTRISCHE SICHERHEIT

- a) Der Anschlussstecker des Elektrowerkzeuges muss in die Steckdose passen. Der Stecker darf in keiner Weise verändert werden. Verwenden Sie keine Adapterstecker gemeinsam mit schutzgeerdeten Elektrowerkzeugen. Unveränderte Stecker und passende Steckdosen verringern das Risiko eines elektrischen Schlages.
- b) Vermeiden Sie Körperkontakt mit geerdeten Oberflächen wie von Rohren, Heizungen, Herden und Kühlschränken. Es besteht ein erhöhtes Risiko durch elektrischen Schlag, wenn Ihr Körper geerdet ist.
- c) Halten Sie Elektrowerkzeuge von Regen oder Nässe fern. Das Eindringen von Wasser in ein Elektrowerkzeug erhöht das Risiko eines elektrischen Schlages.
- d) Zweckentfremden Sie das Kabel nicht, um das Elektrowerkzeug zu tragen, aufzuhängen oder um den Stecker aus der Steckdose zu ziehen. Halten Sie das Kabel fern von Hitze, Öl, scharfen Kanten oder sich bewegenden Geräteteilen. Beschädigte oder verwickelte Kabel erhöhen das Risiko eines elektrischen Schlages.
- e) Wenn Sie mit einem Elektrowerkzeug im Freien arbeiten, verwenden Sie nur Verlängerungskabel, die auch für den Außenbereich geeignet sind. Die Anwendung eines für den Außenbereich geeigneten Verlängerungskabels verringert das Risiko eines elektrischen Schlages.
- f) Wenn der Betrieb des Elektrowerkzeuges in feuchter Umgebung nicht vermeidbar ist, verwenden Sie einen Fehlerstromschutzschalter. Der Einsatz eines Fehlerstromschutzschalters vermindert das Risiko eines elektrischen Schlages.

3. SICHERHEIT VON PERSONEN

- a) Seien Sie aufmerksam, Achten Sie darauf, was Sie tun,

und gehen Sie mit Vernunft an die Arbeit mit einem Elektrowerkzeug. Benutzen Sie kein Elektrowerkzeug, wenn Sie müde sind oder unter dem Einfluss von Drogen, Alkohol oder Medikamenten stehen. Ein Moment der Unachtsamkeit beim Gebrauch des Elektrowerkzeuges kann zu ernsthaften Verletzungen führen.

- b) Tragen Sie persönliche Schutzausrüstung und immer eine Schutzbrille. Das Tragen persönlicher Schutzausrüstung, wie Staubmaske, rutschfeste Sicherheitsschuhe, Schutzhelm oder Gehörschutz, je nach Art und Einsatz des Elektrowerkzeuges, verringert das Risiko von Verletzungen.
 - c) Vermeiden Sie eine unbeabsichtigte Inbetriebnahme. Vergewissern Sie sich, dass das Elektrowerkzeug ausgeschaltet ist, bevor Sie es an den Akku anschließen, es aufnehmen oder tragen. Wenn Sie beim Tragen des Elektrowerkzeuges den Finger am Schalter haben oder das Gerät eingeschaltet an die Stromversorgung anschließen, kann dies zu Unfällen führen.
 - d) Entfernen Sie Einstellwerkzeuge oder Schraubenschlüssel, bevor Sie das Elektrowerkzeug einschalten. Ein Werkzeug oder Schlüssel, der sich in einem drehenden Geräteteil befindet, kann zu Verletzungen führen.
 - e) Vermeiden Sie eine abnormale Körperhaltung. Sorgen Sie für einen sicheren Stand und halten Sie jederzeit das Gleichgewicht. Dadurch können Sie das Elektrowerkzeug in unerwarteten Situationen besser kontrollieren.
 - f) Tragen Sie geeignete Kleidung. Tragen Sie keine weite Kleidung oder Schmuck. Halten Sie Haare und Kleidung fern von sich bewegenden Teilen. Lockere Kleidung, Schmuck oder lange Haare können von sich bewegenden Teilen erfasst werden.
 - g) Wenn Staubabsaug- und -auffangeinrichtungen montiert werden können, vergewissern Sie sich, dass diese angeschlossen sind und richtig verwendet werden. Verwendung einer Staubabsaugung kann Gefährdungen durch Staub verringern.
 - h) Vermeiden Sie, durch die häufige Nutzung des Werkzeugs in einen Trotz zu verfallen und Prinzipien für die Werkzeugsicherheit zu ignorieren. Eine unachtsame Aktion kann im Bruchteil einer Sekunde zu schweren Verletzungen führen.
- ### 4. VERWENDUNG UND BEHANDLUNG DES ELEKTROWERKZEUGES
- a) Überlasten Sie das Gerät nicht. Verwenden Sie für Ihre Arbeit das dafür bestimmte Elektrowerkzeug. Mit dem passenden Elektrowerkzeug arbeiten Sie besser und sicherer im angegebenen Leistungsbereich.
 - b) Benutzen Sie kein Elektrowerkzeug, dessen Schalter defekt ist. Ein Elektrowerkzeug, das sich nicht mehr ein- oder ausschalten lässt, ist gefährlich und muss repariert werden.
 - c) Klemmen Sie den Stecker von der Stromversorgung ab und/oder entfernen Sie den Akku (falls abnehmbar) aus dem Elektrowerkzeug, bevor Sie Geräteeinstellungen vornehmen, Zubehörteile wechseln oder das Gerät weglegen. Diese Vorsichtsmaßnahme verhindert den unbeabsichtigten Start des Elektrowerkzeuges.
 - d) Bewahren Sie unbenutzte Elektrowerkzeuge außerhalb der Reichweite von Kindern auf. Lassen Sie Personen das Gerät nicht benutzen, die mit diesem nicht vertraut sind oder diese Anweisungen nicht gelesen haben. Elektrowerkzeuge sind gefährlich, wenn Sie von unerfahrenen Personen benutzt werden.
 - e) Warten Sie die Elektrowerkzeuge und Zubehör.

Kontrollieren Sie, ob bewegliche Teile einwandfrei funktionieren und nicht klemmen, ob Teile gebrochen oder so beschädigt sind, dass die Funktion des Elektrowerkzeuges beeinträchtigt ist. Lassen Sie beschädigte Teile vor dem Einsatz des Gerätes reparieren. Viele Unfälle haben ihre Ursache in schlecht gewarteten Elektrowerkzeugen.

- f) Halten Sie Schneidwerkzeuge scharf und sauber. Sorgfältig gepflegte Schneidwerkzeuge mit scharfen Schneidkanten verkleben sich weniger und sind leichter zu führen.
 - g) Verwenden Sie Elektrowerkzeug, Zubehör, Einsatzwerkzeuge usw. entsprechend diesen Anweisungen. Berücksichtigen Sie dabei die Arbeitsbedingungen und die auszuführende Tätigkeit. Der Gebrauch von Elektrowerkzeugen für andere als die vorgesehenen Anwendungen kann zu gefährlichen Situationen führen.
 - h) Halten Sie die Griffe trocken, sauber und frei von Öl und Fett. Rutschige Griffe und Oberflächen unterbinden die sichere Bedienbarkeit und Kontrolle über das Werkzeug in unerwarteten Situationen.
5. Verwendung und Behandlung des Akkuwerkzeugs
- a) Laden Sie die Akkus nur in Ladegeräten auf, die vom Hersteller empfohlen werden. Für ein Ladegerät, das für eine bestimmte Art von Akku geeignet ist, besteht Brandgefahr, wenn es mit anderen Akkus verwendet wird.
 - b) Verwenden Sie nur die dafür vorgesehenen Akkus in den Elektrowerkzeugen. Der Gebrauch von anderen Akkus kann zu Verletzungen und Brandgefahr führen.
 - c) Halten Sie den nicht benutzten Akku fern von Büroklammern, Münzen, Schlüsseln, Nägeln, Schrauben oder anderen kleinen Metallgegenständen, die eine Überbrückung der Kontakte verursachen könnten. Ein Kurzschluss zwischen den Akkukontakten kann Verbrennungen oder Feuer zur Folge haben.
 - d) Bei falscher Anwendung kann Flüssigkeit aus dem Akku austreten. Vermeiden Sie den Kontakt damit. Bei zufälligem Kontakt mit Wasser abspülen. Wenn die Flüssigkeit in die Augen kommt, nehmen Sie zusätzlich ärztliche Hilfe in Anspruch. Austretende Akkuflüssigkeit kann zu Hautreizungen oder Verbrennungen führen.
 - e) Verwenden Sie kein Akkupack oder Werkzeug, das beschädigt ist. Beschädigte oder modifizierte Akkus können unvorhersehbare Reaktionen auslösen und zu Bränden, Explosionen oder Verletzungen führen.
 - f) Setzen Sie das Akkupack oder Werkzeug keinem Feuer oder übermäßig hohen Temperaturen aus. Die Belastung durch Feuer oder Temperaturen über 130 °C kann zur Explosion führen.
 - g) Befolgen Sie alle Ladeanweisungen, und laden Sie das Akkupack oder Werkzeug nicht außerhalb des in den Anweisungen festgelegten Temperaturbereichs auf. Ein unsachgemäßer Ladevorgang oder Temperaturen außerhalb des festgelegten Bereichs können den Akku schädigen und die Brandgefahr erhöhen.
6. SERVICE
- a) Lassen Sie Ihr Elektrowerkzeug nur von qualifiziertem Fachpersonal und nur mit Original-Ersatzteilen reparieren. Damit wird sichergestellt, dass die Sicherheit des Gerätes erhalten bleibt.
 - b) Führen Sie niemals Wartungsarbeiten an beschädigten Akkus durch. Die Wartung von Akkupacks darf nur vom

Hersteller selbst oder autorisierten Dienstleistern durchgeführt werden.

ZUSÄTZLICHE SICHERHEITSHINWEISE FÜR AKKU- BOHRSCHRAUBER

- 1) SICHERHEITSHINWEISE FÜR ALLE BETRIEBE
 - a) Tragen Sie Gehörschutz bei der Benutzung von Schlagbohrmaschinen. Die Einwirkung von Lärm kann Hörverlust bewirken.
 - b) Halten Sie das Werkzeug an den isolierten Griffen, wenn die Gefahr besteht, dass Sie beim Arbeiten in Wänden, Decken usw. verborgene Leitungen oder das Netzkabel berühren könnten. Metallteile am Werkzeug, die mit stromführenden Drähten in Berührung kommen, werden selbst stromführend und können der Bedienperson einen elektrischen Schlag versetzen.
- 2) SICHERHEITSHINWEISE BEI VERWENDUNG LANGER BOHRER
 - a) Bedienen Sie niemals mit einer Geschwindigkeit, die höher als die maximale Nenndrehzahl des Bohrers ist. Wenn der Bohrer bei höheren Geschwindigkeiten eine freie Drehung ohne Kontakt mit dem Werkstück zulässig ist, kann es verbogen werden, was zu Verletzungen führen kann.
 - b) Beginnen Sie das Bohren immer mit niedriger Geschwindigkeit, wobei die Bohrerspitze in Kontakt mit dem Werkstück. Wenn der Bohrer bei höheren Geschwindigkeiten eine freie Drehung ohne Kontakt mit dem Werkstück zulässig ist, kann es verbogen werden, was zu Verletzungen führen kann.
 - c) Üben Sie nur Druck aus, wenn Sie in direkter Linie mit dem Bohrer sind und keinen übermäßigen Druck ausüben. Der Bohrer kann verbogen werden, was zu einem Bruch oder Verlust der Kontrolle und zu Verletzungen führen kann.

SICHERHEITSHINWEISE FÜR AKKUPACK

- a) Zellen bzw. Akkupack nicht zerlegen, öffnen oder zerdrücken.
- b) Akkupack nicht kurzschließen. Akkupacks nicht wahllos in einer Schachtel oder Schublade aufbewahren, wo sie einander kurzschließen oder durch andere leitfähige Materialien kurzgeschlossen werden könnten. Bei Nichtverwendung des Akkupacks ist dieses von Metallgegenständen fernzuhalten, wie etwa Büroklammern, Münzen, Nägeln, Schrauben oder anderen kleinen Metallgegenständen, wo sich die Batterieklemmen berühren könnten. Das Kurzschließen der Batterieklemmen kann Verbrennungen bzw. einen Brand verursachen.
- c) Zellen bzw. Akkupacks nicht Hitze oder Feuer aussetzen. Lagerung in direktem Sonnenlicht vermeiden.
- d) Akkupack nicht mechanischen Stößen aussetzen.
- e) Im Fall, dass Flüssigkeit aus dem Akku austritt, darf diese nicht in Kontakt mit der Haut oder den Augen kommen. Sollte dies dennoch geschehen, den betroffenen Bereich sofort mit viel Wasser spülen und einen Arzt aufsuchen.
- f) Akkupack sauber und trocken halten.
- g) Sollten die Klemmen des Akkupacks schmutzig werden, diese mit einem sauberen, trockenen Tuch abwischen.

- h) **Akkupack muss vor Gebrauch aufgeladen werden. Immer dieses Anweisungen beachten und den korrekten Ladevorgang ausführen.**
 - i) **Akkupack bei Nichtverwendung nicht längere Zeit aufladen lassen.**
 - j) **Nach längerer Lagerung des Gerätes ist es eventuell notwendig, die Zellen oder das Akkupack mehrere Male aufzuladen und zu entladen, um eine optimale Leistung zu erhalten.**
 - k) **Nur mit dem von WESCO bezeichneten Ladegerät aufladen. Kein Ladegerät verwenden, das nicht ausdrücklich für den Gebrauch mit dem Gerät vorgesehen ist.**
 - l) **Kein Akkupack verwenden, das nicht für den Gebrauch mit dem Gerät vorgesehen ist.**
 - m) **Akkupacks von Kindern fernhalten.**
 - n) **Die originalen Produktunterlagen zum späteren Nachschlagen aufbewahren.**
 - o) **Den Akku bei Nichtverwendung aus dem Gerät nehmen.**
 - p) **Ordnungsgemäß entsorgen.**
 - q) **Vermischen Sie keine Zellen verschiedener Hersteller, Kapazitäten, Größen oder Typen innerhalb eines Geräts.**
 - r) **Halten Sie den Akku von Mikrowellen und hohem Druck fern.**
 - s) **Warnung! Verwenden Sie keine nicht wiederaufladbaren Batterien.**
8. Schließen Sie die Kontakte des Akkus oder des Ladegeräts nicht kurz.
 9. Achten Sie beim Laden auf die Polarität "+/-".
 10. Öffnen Sie das Gerät nicht und halten Sie es von Kindern entfernt.
 11. Laden Sie keine Akkus anderer Hersteller.
 12. Vergewissern Sie sich, dass die Verbindung zwischen dem Ladegerät und dem Akku korrekt positioniert ist und nicht durch andere Gegenstände behindert wird.
 13. Halten Sie die Öffnungen im Ladegerät frei von fremden Objekten und schützen Sie sie vor Verschmutzung und Nässe. Bewahren Sie das Gerät trocken und frostfrei auf.
 14. Achten Sie darauf, dass das Laden von Akkus an einem gut gelüfteten Ort und nicht in der Nähe einer brennbaren Umgebung geschieht. Akkus erhitzen sich beim Laden. Sie dürfen nicht überladen werden. Sorgen Sie dafür, dass Akkus und Ladegerät beim Aufladen nicht unbeaufsichtigt sind.
 15. Laden Sie keine nicht-aufladbaren Akkus auf, da diese überhitzen und aufbrechen können.
 16. Eine längere Lebenszeit und eine bessere Leistung erreicht man, wenn der Akku bei einer Lufttemperatur zwischen 18°C und 24°C aufgeladen wird. Laden Sie den Akku nicht bei Lufttemperaturen unter 0°C oder über 40°C. Achten Sie darauf, um eine starke Beschädigung des Akkus zu vermeiden.
 17. Laden Sie nur ein Akkupack, welches dasselbe Modell wie das von WESCO bereitgestellte ist oder von WESCO empfohlen wird.

ALLGEMEINE SICHERHEITSHINWEISE



WARNUNG: Lesen Sie alle Sicherheitshinweise und Anweisungen. Eine Missachtung der nachstehenden Hinweise kann einen Stromschlag, Feuer und/oder Verletzungen nach sich ziehen.

Bewahren Sie alle Sicherheitshinweise und Anweisungen für die Zukunft auf.

- Dieses Gerät kann von Kindern ab 8 Jahren und Personen mit verringerten physischen, sensorischen oder mentalen Fähigkeiten bzw. Mangel an Erfahrung oder Kenntnis verwendet werden, wenn sie von einer Person beaufsichtigt oder bezüglich des Gebrauchs des Gerätes in einer sicheren Umgebung unterwiesen werden und die damit verbundenen Gefahren verstehen. Kinder sollten mit dem Gerät nicht spielen und Reinigungs- und Wartungsarbeiten nur unter Aufsicht durchführen.
- Falls das Netzkabel beschädigt sein sollte, muss es vom Hersteller, einem seiner Service-Beauftragten oder einer ähnlich qualifizierten Person instandgesetzt werden, damit es nicht zu Gefährdungen kommt.

ZUSÄTZLICHE SICHERHEITSHINWEISE FÜR IHR LADEGERÄT

1. Vor dem Aufladen bitte die Bedienungsanleitung lesen.
2. Laden Sie einen ausgelaufenen Akku nicht auf.
3. Benutzen Sie Ladegerät nicht für Zwecke, für die sie nicht gedacht sind.
4. Schließen Sie das Ladegerät nur an den Netzstrom an.
5. Nicht im Freien verwenden, vor Regen und Feuchtigkeit schützen.
6. Das Ladegerät muss vor Nässe geschützt sein.
7. Verwenden Sie das Ladegerät nicht im Freien.

SYMBOLE



Zur Reduzierung der Verletzungsgefahr bitte die Bedienungsanleitung durchlesen



Warnung



Tragen Sie einen Gehörschutz



Tragen Sie eine Schutzbrille



Tragen Sie eine Staubmaske



Nicht im Freien verwenden (Ladegerät)



Bedienungsanleitung lesen. (Ladegerät)



Wenn die Akku nicht ordnungsgemäß gehandhabt wird, kann sie in den Wasserkreislauf gelangen, der für das Ökosystem schädlich sein kann. Entsorgen Sie verbrauchte Batterien nicht als unsortierten Hausmüll.



Nicht verbrennen



Positiver Anschluss



Negativer Anschluss



Lithium-Ionen Akku Dieses Produkt wurde mit den Symbolen für die "getrennte Sammlung" aller Akkupacken und Akkupacken gekennzeichnet. Es wird dann recycelt oder entfernt, um die Umweltbelastung zu reduzieren. Der Akkupacken kann umweltschädlich und gesundheitsschädlich sein, da er schädliche Substanzen enthält.



Schutzisolation (Ladegerät)



Sicherung



Elektroprodukte dürfen nicht mit dem normalen Haushaltsmüll entsorgt werden, sondern sollten nach Möglichkeit zu einer Recyclingstelle gebracht werden. Ihre zuständigen Behörden oder Ihr Fachhändler geben Ihnen hierzu gerne Auskunft.

HINWEISE ZUM BETRIEB



HINWEIS: Lesen Sie das Handbuch vor Inbetriebnahme des Werkzeuges sorgfältig durch.

BESTIMMUNGSGEMÄSSER GEBRAUCH:

Dieses Werkzeug ist zum Befestigen und Lösen von Schrauben, Muttern und verschiedenen Befestigungselementen mit Gewinde bestimmt. Dieses Werkzeug ist nicht als Bohrmaschine geeignet.

VOR INBETRIEBNAHME

1. LADEN DES AKKUS

- Verwenden Sie nur das spezifisch für die Ausstattung vorgesehene Ladegerät.
- Wenn das Akkupack sehr heiß ist, müssen Sie dieses aus dem Ladegerät entfernen und dem Akku ausreichend abkühlen lassen, bevor Sie ihn wiederaufladen.
- Der Akku Ihres neuen Werkzeuges ist nicht geladen, wenn er das Werk verlässt. Daher muss er vor der ersten Nutzung vollständig aufgeladen werden.
- Bitte laden Sie den Akku vor der Lagerung vollständig oder mindestens bis zur Hälfte auf. Wenn das Werkzeug für längere Zeit nicht verwendet wird, laden Sie den Akku alle 3 bis 6 Monate auf.

LADEN DES AKKUS (SIEHE ABB. A1)

- Stecken Sie das Ladegerät in eine geeignete Steckdose. Das Licht leuchtet grün.
- Bringen Sie das Akkupack in das Ladegerät, das Licht zeigt mit rot an, dass der Ladevorgang beginnt.
- Nach Abschluss des Ladevorgangs leuchtet das Licht grün. Das

Akkupack ist nun voll aufgeladen. Trennen Sie das Ladegerät und entfernen Sie das Akkupack.

LADE-ANZEIGEN

Dieses Ladegerät wurde konzipiert, um Probleme von Batteriepacks zu erkennen. Die Anzeigelichter zeigen Probleme an (siehe Tabelle unten). Falls dies auftreten sollte, legen Sie ein neues Batteriepack ein um herauszufinden, ob das Ladegerät funktionsfähig ist. Wenn die neue Batterie richtig lädt, so ist das alte Batteriepack defekt und sollte an ein Service- oder Recycling-Center zurückgegeben werden. Wenn das neue Batteriepack das gleiche Problem wie das ursprüngliche Batteriepack aufweist, lassen Sie das Ladegerät in einem autorisierten Service-Center überprüfen.

Licht	Status
Rot an	Lädt
Grün an	Ladevorgang abgeschlossen



WARNUNG: Falls die Ladekapazität aufgrund langer Benutzung oder direkter Sonneneinstrahlung oder Hitze zur Neige geht, lassen Sie den Akku vor dem Wiederaufladen ausreichend abkühlen, damit die volle Ladung erreicht werden kann.

ÜBERPRÜFEN DES STROMVERSORGUNGSZUSTANDS DES AKKUS (SIEHE ABB. A2)

Der Akkustand kann an der Akku-Kontrollleuchte durch Drücken der Taste neben den Lichtern erkannt werden.

2. ANBRINGEN UND ENTFERNEN DES AKKUS (SIEHE ABB. B1, B2)

Drücken Sie die Akkuverriegelung hinein, um den Akku zu entriegeln, und ziehen Sie ihn aus dem Bohrer heraus. Schieben Sie ihn nach dem Aufladen wieder in den Bohrer hinein. Schieben Sie ihn mit leichtem Druck ganz in die Aufnahme hinein.

BETRIEB

1. EIN-/AUSSCHALTER (SIEHE ABB. C)

Drücken Sie den Ein-/Ausschalter, um den Bohrer zu starten, und lassen Sie ihn los, um den Bohrer zu stoppen.

Der Ein-/Ausschalter ist mit einer Bremsfunktion ausgestattet, die Ihr Spannfutter sofort stoppt, wenn Sie den Schalter schnell loslassen.

Es ist auch ein Schalter mit variabler Geschwindigkeit, der bei erhöhtem Abzugsdruck eine höhere Geschwindigkeit und ein höheres Drehmoment liefert. Die Geschwindigkeit wird durch die Stärke des Niederdrückens des Schalterauslösers gesteuert.



WARNUNG: Betreiben Sie das Gerät nicht für längere Zeit mit niedriger Geschwindigkeit, da intern übermäßige Wärme erzeugt wird. Wenn eine Überlastung auftritt, lassen Sie den Ein-/Ausschalter sofort los, um eine Überhitzung des Motors zu vermeiden.

2. SCHALTERSPERRE (SIEHE ABB. D)

Der Schalterauslöser kann in der AUS-Position arretiert werden. Dies trägt dazu bei, die Möglichkeit eines versehentlichen Startens bei Nichtgebrauch zu verringern. Um den Schalterauslöser zu sperren, bringen Sie den Vorwärts-/Rückwärtsdrehungsregler in die mittlere Position.



3. SCHALTSPERRE

Der Ein-/Ausschalter kann in der AUS-Position arretiert werden. Dies trägt dazu bei, die Möglichkeit eines versehentlichen Startens bei Nichtgebrauch zu verringern. Um den Ein-/Ausschalter zu sperren, bringen Sie den Drehrichtungswähler in die Mittelstellung.

4. STEUERUNG DER VORWÄRTS- RÜCKWÄRTSDREHUNG (SIEHE ABB. E, F)

Für eine Vorwärtsdrehung (mit von Ihnen weg gerichtetem Spannfutter) bewegen Sie die Drehsteuerung nach links. Für eine Rückwärtsdrehung (mit von Ihnen weg gerichtetem Spannfutter) bewegen Sie die Drehsteuerung nach rechts.



WARNUNG: Wechseln Sie niemals die Drehrichtung bei rotierendem Spannfutter, sondern warten Sie bis zum Stillstand!

5. ZWEIFANG-GETRIEBESTEuerung (SIEHE ABB. G, H)

Die Bohrmaschine verfügt über eine zweistufige Getriebesteuerung, die zum Bohren oder Fahren mit LO- (Markierung ist 1) oder HI- (Markierung ist 2) Geschwindigkeit ausgelegt ist. Ein Schiebescalter befindet sich oben auf dem Bohrer, um entweder die LO- oder HI-Geschwindigkeit auszuwählen. Wenn Sie den Bohrer im LO-Geschwindigkeitsbereich verwenden, nimmt die Geschwindigkeit ab und der Bohrer hat mehr Leistung und Drehmoment. Wenn Sie den Bohrer im HI-Geschwindigkeitsbereich verwenden, erhöht sich die Geschwindigkeit und der Bohrer hat weniger Leistung und Drehmoment.

Gang I

Niedriger Drehzahlbereich: zum Schrauben oder Arbeiten mit großem Bohrdurchmesser.

Gang II

Hoher Drehzahlbereich: für Arbeiten mit kleinem Bohrdurchmesser. Bewegen Sie den Rotationsregler nach rechts.



WARNUNG: Wenn am Hochgeschwindigkeitsgetriebe häufig Überlast auftritt, schalten Sie auf das Niedriggeschwindigkeitsgetriebe um, um eine Überhitzung des Motors zu vermeiden.

6. FUTTEREINSTELLUNG (SIEHE ABB. I)

Zum Öffnen der Spannbacken drehen Sie den vorderen Teil des Spannfutters. Setzen Sie den Bohrer zwischen die Spannbacken ein und drehen Sie das Vorderteil in die entgegengesetzte Richtung. Stellen Sie sicher, dass sich der Bohrer in der Mitte der Spannbacken befindet. Drehen Sie schließlich den vorderen Spannfutterabschnitt fest in die entgegengesetzten Richtungen. Ihr Bohrer ist nun im Bohrfutter eingespannt.

7. DREHMOMENTEINSTELLUNG (SIEHE ABB. J)

(Schraubenantriebskraft Ihres Bohrschraubers)

Das Drehmoment wird durch Drehen des Drehmomenteinstellrings eingestellt. Das Drehmoment ist größer, wenn der Drehmomenteinstellung auf eine höhere Einstellung eingestellt ist. Das Drehmoment ist geringer, wenn der Drehmomenteinstellung auf eine niedrigere Einstellung eingestellt ist.

Nehmen Sie die Einstellung wie folgt vor:

1-4	zum Eindrehen kleiner Schrauben
5-9	zum Schrauben in weiches Material
10-14	zum Schrauben in weiches und hartes Material
15-19	zum Schrauben in Hartholz
20	zum Eindrehen größerer Schrauben

8. GÜRTELCLIP VERWENDEN (SIEHE ABB. K)

Schrauben Sie den Gürtelclip mit der Schraube auf das Werkzeug. Der Gürtelclip kann an Ihrem Gürtel oder Ihrer Tasche usw. eingehakt werden.

9. VERWENDEN DES SICHTLICHTS

Um das Licht einzuschalten, drücken Sie den Ein-/Ausschalter und vergewissern Sie sich, dass sich der Vorwärts-/Rückwärtsdrehregler in der Rechts-/Links-Position befindet. Wenn Sie den Ein-/Ausschalter loslassen, erlischt das Licht. LED-Beleuchtung erhöht die Sichtbarkeit – ideal für dunkle oder geschlossene Bereiche.

10. BOHREN

Verwenden Sie beim Bohren in eine harte, glatte Oberfläche einen Körner, um die gewünschte Lochposition zu markieren. Dadurch wird verhindert, dass der Bohrer beim Anbohren aus der Mitte rutscht.

Halten Sie das Werkzeug fest und setzen Sie die Spitze des Bohrers auf die zu bohrende Stelle.

Drücken Sie den Schalterauslöser, um das Werkzeug zu starten. Bewegen Sie den Bohrer in das Werkstück und üben Sie nur so viel Druck aus, dass der Bohrer schneidet. Üben Sie keinen seitlichen Druck aus, um ein Loch zu verlängern.

Für Beton und Mauerwerk sollten immer Hartmetallbohrer verwendet werden. Verwenden Sie beim Bohren in Metall nur einwandfreie hss-Bohrer. Verwenden Sie immer einen magnetischen Bithalter, wenn Sie kurze Schraubbits verwenden. Tragen Sie beim Schrauben eine kleine Menge Flüssigseife oder ähnliches auf die Schraubengewinde auf, um das Einsetzen zu erleichtern.

11. ÜBERLASTSCHUTZ

Bei Überlastung bleibt der Motor stehen. Entlasten Sie das Gerät sofort und lassen Sie den Ein-/Ausschalter los. Starten Sie das Tool wie gewohnt neu.

12. TEMPERATURABHÄNGIGE ÜBERLASTUNG SCHUTZ

Bei bestimmungsgemäßem Gebrauch darf das Elektrowerkzeug nicht überlastet werden. Bei zu hoher Belastung oder zu hoher zulässiger Akkutemperatur schaltet die elektronische Steuerung das Elektrowerkzeug ab, bis die Temperatur wieder im optimalen Temperaturbereich liegt.

13. ENTSORGUNG EINES ERSCHÖPFTEN AKKUPACKS




Um natürliche Ressourcen zu schonen, recyceln oder entsorgen Sie den Akku bitte ordnungsgemäß. Dieses Li-Ion Batteriepaket enthält Lithium-Batterien. Wenden Sie sich an Ihre örtliche Abfallbehörde, um Informationen zu verfügbaren Recycling- und/oder Entsorgungsmöglichkeiten zu erhalten. Entladen Sie Ihren Akkupack, indem Sie Ihre Bohrmaschine betreiben, nehmen Sie dann den Akkupack aus dem Bohrmaschinengehäuse und decken Sie die Akkupackanschlüsse mit strapazierfähigem Klebeband ab, um Kurzschlüsse und Energieentladungen zu vermeiden. Versuchen Sie nicht, Komponenten zu öffnen oder zu entfernen.

PROBLEMLÖSUNG

1. Warum schaltet sich die Bohrmaschine nicht ein, wenn Sie den Schalter drücken?

Die Vorwärts-/Rückwärtsdrehsteuerung, die sich oben auf dem Abzug befindet, befindet sich in der Sperrfunktion. Entriegeln Sie die Vorwärts-/Rückwärtsdrehsteuerung, indem Sie sie in die gewünschte Drehposition bringen. Drücken Sie den Auslöser und der Bohrer beginnt sich zu drehen.

2. Der Bohrer stoppt, bevor die Schraube vollständig angezeigt ist. Warum?

Überprüfen Sie die Drehmomentposition des Drehmomenteinstellrings, Sie finden den Drehmomenteinstellung zwischen dem Bohrfutter und dem Bohrerkörper. Position 1 ist das niedrigste Drehmoment (Schraubkraft) und Position 20 ist das höchste Drehmoment (Schraubkraft). Position  ist für Bohrbetrieb. Regulieren Sie den Drehmomenteinstellung auf eine höhere Position, um das beste Ergebnis zu erzielen.

3. Ich kann den Akku nicht in das Akkuladegerät einsetzen. Warum?

Der Akku kann nur in einer Richtung in das Ladegerät eingesetzt werden. Drehen Sie den Akku um, bis er in den Schacht eingesetzt werden kann.

4. Gründe für unterschiedliche Akkulaufzeiten

Probleme mit der Ladezeit und längere Nichtbenutzung eines Akkus verringern die Betriebszeit des Akkus. Dies kann nach mehreren Lade- und Entladevorgängen durch Laden und Arbeiten mit Ihrer Bohrmaschine korrigiert werden. Schwere Arbeitsbedingungen, wie z. B. große Schrauben in hartes Holz, verbrauchen die Energie des Akkupacks schneller als leichtere Arbeitsbedingungen. Laden Sie Ihren Akkupack nicht unter 0°C und über 40°C auf, da dies die Leistung beeinträchtigt.

WARTUNG

Entfernen Sie das Akkupack aus dem Werkzeug, bevor Sie Einstellungs-, Service- oder Wartungsarbeiten durchführen.

Ihr Werkzeug benötigt keine zusätzliche Schmierung oder Wartung. Es enthält keine Teile, die Sie warten müssen. Reinigen Sie Ihr Werkzeug niemals mit Wasser oder chemischen Lösungsmitteln. Wischen Sie es mit einem trockenen Tuch sauber. Lagern Sie Ihr Werkzeug immer an einem trockenen Platz. Sorgen Sie dafür, dass bei staubigen Arbeiten die Lüftungsoffnungen frei sind. Halten Sie alle Bedienelemente staubfrei. Gelegentlich sind durch die Lüftungsschlitze hindurch Funken zu sehen. Dies ist normal und wird Ihr Werkzeug nicht beschädigen.

Bei Akkuwerkzeugen

Der Umgebungstemperaturbereich für die Nutzung und Lagerung von Werkzeug und Akku liegt zwischen 0 °C und 45 °C. Der empfohlene Umgebungstemperaturbereich für die Ladestation liegt zwischen 0 °C und 40 °C.

UMWELTSCHUTZ



Elektroprodukte dürfen nicht mit dem normalen Haushaltsmüll entsorgt werden, sondern sollten nach Möglichkeit zu einer Recyclingstelle gebracht werden. Ihre zuständigen Behörden oder Ihr Fachhändler geben Ihnen hierzu gerne Auskunft.

KONFORMITÄTSERKLÄRUNG

Wir
POSITEC Germany GmbH
Postfach 32 02 16, 50796 Cologne, Germany

Erklären hiermit, dass unser Produkt
Beschreibung **Kabelloser Bürstenloser Schlagschrauber**
Typ **WS2388 (23- Bezeichnung von Maschinen,**
stellvertretend für Schraubendreher oder Schlagschrauber)
Funktionen **Anziehen und Lösen von Schrauben, Muttern**

Den Bestimmungen der folgenden Richtlinien entspricht:

2006/42/EC
2011/65/EU & (EU)2015/863
2014/30/EU
2014/35/EU
2006/66/EC & 2013/56/EU

Werte nach
EN 62841-1
EN 62841-2-1
EN 55014-1
EN 55014-2
EN IEC 61000-3-2
EN 61000-3-3
EN 60335-1
EN 60335-2-29
EN 62233
EN 62133-2

Zur Kompilierung der technischen Datei ermächtigte Person,

Name Marcel Filz
Anschrift POSITEC Germany GmbH
Postfach 32 02 16, 50796 Cologne, Germany






2023/04/04
Allen Ding
Stellvertretender Chefingenieur, Prüfung und Zertifizierung
Positec Technology (China) Co., Ltd
18, Dongwang Road, Suzhou Industrial
Park, Jianguo 215123, P. R. China

LISTE DES COMPOSANTS

1. Mandrin sans clé
2. Bague de réglage du couple
3. Commande de vitesse à deux vitesses
4. Commande de rotation avant/arrière
5. Poignée souple
6. Batterie
7. Bouton de déverrouillage de la batterie
8. Lumière LED
9. Interrupteur marche/arrêt
10. Clip de ceinture

CARACTÉRISTIQUES TECHNIQUES

Type WS2388 (23 - désignation de la machine, représentative de la perceuse-visseuse sans fil)

Tension nominale	18V 
Vitesse nominale à vide	0-400/1600 /min
Couple maxi	30 Nm
Poids de la machine	1.2 kg
Entrée chargeur (WS9969)	100-240V~50/60Hz, 55W
Sortie chargeur (WS9969)	20 V  2.0 A
classe de protection	 /II
Temps de charge	1 hr
Capacité de la batterie (WS9970)	2.0 Ah Li-ion

INFORMATIONS RELATIVES AU BRUIT

Niveau de pression acoustique pondéré A
Niveau de puissance acoustique pondéré A
 K_{pa} & K_{wa}

L_{PA} = 70 dB(A)
 L_{WA} = 81 dB(A)
5 dB(A)

Porter une protection pour les oreilles.

INFORMATIONS RELATIVE AUX VIBRATIONS

Valeurs totales de vibration (somme du vecteur triaxial) déterminées selon la norme EN 62841:

Valeur d'émission de vibrations $a_{hv} = 3,86 \text{ m/s}^2$

Incertitude $K = 1.5 \text{ m/s}^2$

La valeur totale de vibration déclarée et la valeur d'émission de bruit déclarée ont été mesurées conformément à la méthode d'essai standard et peuvent être utilisées pour comparer un outil à un autre.

La valeur totale de vibration déclarée et la valeur d'émission de bruit déclarée peuvent également être utilisées lors d'une évaluation préliminaire de l'exposition.



AVERTISSEMENT: les vibrations et les émissions de bruit au cours de l'utilisation réelle de l'outil électrique peuvent varier de la valeur déclarée en fonction du mode d'utilisation de l'outil, en particulier du type de pièce traité selon les exemples suivants et d'autres variations concernant le mode d'utilisation de l'outil:

Comment l'outil est utilisé et quels matériaux sont coupés ou percés.

L'outil est en bon état et bien entretenu.

L'utilisation du bon accessoire pour l'outil et l'assurance qu'il est affûté et en bon état.

La force avec laquelle vous serrez les poignées et l'utilisation éventuelle d'un quelconque accessoire anti-bruit et anti-vibration.

Et l'outil est utilisé comme prévu dans sa conception et dans les présentes instructions.

Cet outil peut causer un syndrome de vibration du bras et de la main s'il n'est pas correctement géré.



AVERTISSEMENT: Pour être précise, une évaluation du niveau d'exposition en conditions réelles d'utilisation doit également tenir compte de toutes les parties du cycle d'utilisation telles que les moments où l'outil est éteint, et ceux où il fonctionne au ralenti mais ne réalise pas réellement de tâche. Ceci peut réduire de façon significative le niveau d'exposition et la période de fonctionnement totale.

Facteurs contribuant à minimiser votre risque d'exposition aux vibrations et au bruit.

Utilisez TOUJOURS des ciseaux, des forets et des lames affûtés.

Entretenez cet outil en accord avec les présentes instructions et maintenez-le lubrifié (si approprié).

Si l'outil doit être fréquemment utilisé, investissez dans des accessoires anti-bruit et anti-vibration.

Planifiez votre travail pour étaler toute utilisation d'outil à fortes vibrations sur plusieurs jours.

ACCESSOIRES

Chargeur (WS9969)	1
Batterie (WS9970)	1
Boucle de ceinture	1

Nous recommandons d'acheter tous les accessoires dans le magasin d'acquisition de l'outil. Pour plus d'informations, se référer à l'emballage des accessoires. Le personnel du magasin est également là pour vous conseiller.

SÉCURITÉ DU PRODUIT

AVERTISSEMENTS DE SÉCURITÉ GÉNÉRAUX POUR L'OUTIL



AVERTISSEMENT! Lire l'ensemble des mises en garde, instructions, illustrations et spécifications fourni avec cet outil électrique. *Ne pas suivre toutes les instructions énumérées ci-dessous peut conduire à une électrocution, un incendie et / ou des blessures graves.*

Conserver tous les avertissements et toutes les instructions pour pouvoir s'y reporter ultérieurement.

Le terme «outil» dans les avertissements fait référence à votre outil électrique alimenté par le secteur (avec cordon d'alimentation) ou votre outil fonctionnant sur batterie (sans cordon d'alimentation).

1. SÉCURITÉ DE LA ZONE DE TRAVAIL

- Conservation de la zone de travail propre et bien éclairée.** Les zones en désordre ou sombres sont propices aux accidents.
- Ne pas faire fonctionner les outils électriques en atmosphère explosive, par exemple en présence de liquides inflammables, de gaz ou de poussières.** Les outils électriques produisent des étincelles qui peuvent enflammer les poussières ou les fumées.
- Maintenir les enfants et les personnes présentes à l'écart pendant l'utilisation de l'outil.** Les distractions peuvent vous faire perdre le contrôle de l'outil.

2. SÉCURITÉ ÉLECTRIQUE

- Il faut que les fiches de l'outil électrique soient adaptées au socle. Ne jamais modifier la fiche de quelque façon que ce soit. Ne pas utiliser d'adaptateurs avec des outils à branchement de terre.** Des fiches non modifiées et des socles adaptés réduisent le risque de choc électrique.
- Éviter tout contact du corps avec des surfaces reliées à la terre telles que les tuyaux, les radiateurs, les cuisinières et les réfrigérateurs.** Il existe un risque accru de choc électrique si votre corps est relié à la terre.
- Ne pas exposer les outils à la pluie ou à des conditions humides.** La pénétration d'eau à l'intérieur d'un outil augmentera le risque de choc électrique.
- Ne pas maltraiter le cordon. Ne jamais utiliser le cordon pour porter, tirer ou débrancher l'outil. Maintenir le cordon à l'écart de la chaleur, du lubrifiant, des arêtes ou des parties en mouvement.** Des cordons endommagés ou emmêlés augmentent le risque de choc électrique.
- Lorsqu'on utilise un outil à l'extérieur, utiliser un prolongateur adapté à l'utilisation extérieure.** L'utilisation d'un cordon adapté à l'utilisation extérieure réduit le risque de choc électrique.
- Si l'usage d'un outil dans un emplacement humide est inévitable, utiliser une alimentation protégée par un dispositif à courant différentiel résiduel (DDR). L'usage d'un DDR réduit le risque de choc électrique.**

3. SÉCURITÉ DES PERSONNES

- Restez vigilant, regardez ce que vous êtes en train de faire et faites preuve de bon sens dans votre utilisation de l'outil. Ne pas utiliser un outil lorsque vous êtes fatigué ou sous l'emprise de drogues, d'alcool ou de médicaments.** Un moment d'inattention en cours d'utilisation d'un outil peut entraîner des blessures graves des personnes.
- Utiliser un équipement de sécurité. Toujours porter une**

protection pour les yeux. Les équipements de sécurité tels que les masques contre les poussières, les chaussures de sécurité antidérapantes, les casques ou les protections acoustiques utilisés pour les conditions appropriées réduiront les blessures de personnes.

- Éviter tout démarrage intempestif. S'assurer que l'interrupteur est en position arrêt avant de brancher l'outil au secteur et/ou au bloc de batteries, de le ramasser ou de le porter.** Porter les outils en ayant le doigt sur l'interrupteur ou brancher des outils dont l'interrupteur est en position marche est source d'accidents.
 - Retirer toute clé de réglage avant de mettre l'outil en marche.** Une clé laissée fixée sur une partie tournante de l'outil peut donner lieu à des blessures de personnes.
 - Ne pas se précipiter. Garder une position et un équilibre adaptés à tout moment.** Cela permet un meilleur contrôle de l'outil dans des situations inattendues.
 - S'habiller de manière adaptée. Ne pas porter de vêtements amples ou de bijoux.** Garder les cheveux et les vêtements à distance des parties en mouvement. Des vêtements amples, des bijoux ou les cheveux longs peuvent être pris dans des parties en mouvement.
 - Si des dispositifs sont fournis pour le raccordement d'équipements pour l'extraction et la récupération des poussières, s'assurer qu'ils sont connectés et correctement utilisés.** Utiliser des collecteurs de poussière peut réduire les risques dus aux poussières.
 - Ne pas laisser les habitudes acquises au cours d'une utilisation fréquente des outils nous rendre complaisants et ignorer les principes de sécurité de l'outil.** Une action imprudente peut entraîner des blessures graves en une fraction de seconde.
- ### 4. UTILISATION ET ENTRETIEN DE L'OUTIL
- Ne pas forcer l'outil. Utiliser l'outil adapté à votre application.** L'outil adapté réalisera mieux le travail et de manière plus sûre au régime pour lequel il a été construit.
 - Ne pas utiliser l'outil si l'interrupteur ne permet pas de passer de l'état de marche à arrêt et vice versa.** Tout outil qui ne peut pas être commandé par l'interrupteur est dangereux et il faut le réparer.
 - Débrancher la prise de la source d'alimentation et / ou retirer la batterie, si elle est amovible, de l'outil, avant tout réglage, changement d'accessoires ou avant de ranger l'outil.** De telles mesures de sécurité préventives réduisent le risque de démarrage accidentel de l'outil.
 - Conserver les outils à l'arrêt hors de la portée des enfants et ne pas permettre à des personnes ne connaissant pas l'outil ou les présentes instructions de le faire fonctionner.** Les outils sont dangereux entre les mains d'utilisateurs novices.
 - Entretien des outils et accessoires électriques. Vérifier qu'il n'y a pas de mauvais alignement ou de blocage des parties mobiles, des pièces cassées ou toute autre condition pouvant affecter le fonctionnement de l'outil.** En cas de dommages, faire réparer l'outil avant de l'utiliser. De nombreux accidents sont dus à des outils mal entretenus.
 - Garder affûtés et propres les outils permettant de couper.** Des outils destinés à couper correctement entretenus avec des pièces coupantes tranchantes sont moins susceptibles de bloquer et sont plus faciles à contrôler.
 - Utiliser l'outil, les accessoires et les lames etc., conformément à ces instructions, en tenant compte des conditions de travail et du travail à réaliser.** L'utilisation

de l'outil pour des opérations différentes de celles prévues pourrait donner lieu à des situations dangereuses.

- h) Maintenir les poignées et les surfaces de préhension sèches, propres et exemptes d'huile et de graisse.** *Des poignées et surfaces de préhension glissantes ne permettent pas une manipulation et un contrôle de l'outil en toute sécurité en cas d'imprévu.*
- 5. UTILISATION DES OUTILS FONCTIONNANT SUR BATTERIES ET PRÉCAUTIONS D'EMPLOI**
- a) Ne recharger qu'avec le chargeur spécifié par le fabricant.** *Un chargeur qui est adapté à un type de bloc de batteries peut entraîner un risque d'incendie lorsqu'il est utilisé avec un autre type de bloc de batteries.*
- b) N'utiliser les outils qu'avec des blocs de batteries spécifiquement désignés.** *L'utilisation de tout autre bloc de batteries peut entraîner un risque de blessure et d'incendie.*
- c) Lorsqu'un bloc de batteries n'est pas utilisé, le maintenir à l'écart de tout autre objet métallique, par exemple trombones, pièces de monnaie, clés, clous, vis ou autres objets de petite taille qui peuvent donner lieu à une connexion d'une borne à une autre. *Le court-circuitage des bornes d'une batterie entre elles peut causer des brûlures ou un incendie.***
- d) Dans de mauvaises conditions, du liquide peut être éjecté de la batterie; éviter tout contact. En cas de contact accidentel, nettoyer à l'eau. Si le liquide entre en contact avec les yeux, rechercher en plus une aide médicale. *Le liquide éjecté des batteries peut causer des irritations ou des brûlures.***
- e) N'utilisez pas de batterie ou d'outil endommagé ou modifié.** *Des batteries endommagées ou modifiées peuvent se comporter de façon imprévisible et causer un incendie, une explosion ou un risque de blessure.*
- f) N'exposez pas une batterie ou un outil à un incendie ou à une température excessive.** *L'exposition à un incendie ou une température supérieure à 130 °C peut causer une explosion.*
- g) Suivez toutes les instructions de charge et ne rechargez pas la batterie ou l'outil en dehors de la plage de température spécifiée dans les instructions.** *Recharger la batterie de façon inappropriée ou en dehors de la plage de température spécifiée peut l'endommager et augmente le risque d'incendie.*
- 6. MAINTENANCE ET ENTRETIEN**
- a) Faire entretenir l'outil par un réparateur qualifié utilisant uniquement des pièces de rechange identiques.** *Cela assurera le maintien de la sécurité de l'outil.*
- b) Ne réviser jamais de batteries endommagées.** *La révision de batteries doit uniquement être effectuée par le fabricant ou les prestataires de service autorisés.*

CONSIGNES DE SÉCURITÉ CONCERNANT LA PERCEUSE

- 1) INSTRUCTIONS DE SÉCURITÉ POUR TOUTES OPÉRATIONS**
- a) Veuillez porter un casque antibruit lorsque vous utilisez une perceuse à percussion.** *L'exposition au bruit peut causer la perte de l'audition.*
- b) Tenir l'outil par les zones de prises isolées lors d'une utilisation où l'outil tranchant pourrait entrer en contact avec des fils cachés ou avec son propre cordon.** *Si les parties externes en métal entrent en contact avec un fil électrique « sous tension », elles pourraient elles aussi devenir « sous tension » et l'utilisateur pourrait recevoir une décharge électrique.*
- 2) INSTRUCTIONS DE SÉCURITÉ LORSQUE L'UTILISATION DE FORETS LONG**
- a) Ne jamais fonctionner à une vitesse supérieure à la vitesse maximale autorisée du foret.** *À des vitesses plus élevées, le foret risque de se plier s'il est autorisé à tourner librement sans toucher la pièce, entraînant des blessures corporelles.*
- b) Commencez toujours le forage à basse vitesse avec la pointe du trépan tout en contactant la pièce.** *À des vitesses plus élevées, le foret risque de se plier s'il est autorisé à tourner librement sans toucher la pièce, entraînant des blessures corporelles.*
- c) Appliquer la pression uniquement en ligne directe avec le foret et ne pas appliquer de pression excessive.** *Les forages peuvent se plier et provoquent une rupture ou une perte de contrôle, entraînant des blessures.*

MISES EN GARDE CONCERNANT LA BATTERIE

- a) La batterie et les piles secondaires ne doivent pas être ouvertes, démontées ou broyées.**
- b) La batterie ne doit pas être court-circuitée.** *Évitez de mettre la batterie en vrac dans une boîte ou dans un tiroir où elles risqueraient de se court-circuiter entre elles ou au contact d'autres objets métalliques.* *Après usage, évitez tout contact de la batterie avec d'autres objets métalliques de petite taille (trombones, pièces, clés, clous, vis etc.) susceptibles de court-circuiter les pôles.* *Un court-circuit entre les pôles de la batterie peut être à l'origine de brûlures ou d'un incendie.*
- c) La batterie ne doit pas être exposée au feu et à la chaleur.** *Évitez de la ranger à la lumière du soleil.*
- d) La batterie et les piles ne doivent pas être soumises à des chocs mécaniques.**
- e) En cas de fuite des piles, évitez tout contact du liquide avec la peau et les yeux.** *En cas de contact, rincez abondamment la surface touchée avec de l'eau et appelez les urgences.*
- f) La batterie et les piles doivent rester propres et sèches.**
- g) Si la batterie ou les piles se salissent, essuyez-les avec un chiffon propre et sec.**
- h) La batterie et les piles doivent être chargées avant usage.** *Utilisez toujours le chargeur adéquat, et respectez les instructions du fabricant ou le mode d'emploi de l'appareil concernant la procédure de recharge.*
- i) Évitez de laisser une batterie se charger pendant trop**

- longtemps lorsqu'elle n'est pas utilisée.
- j) Après de longues périodes d'inutilisation, il peut être nécessaire de charger et décharger la batterie et les piles à plusieurs reprises avant que celles-ci ne retrouvent leur capacité maximale.
 - k) N'utilisez pas d'autre chargeur que celui spécifié par WESCO. N'utilisez pas d'autre chargeur que celui spécifiquement fourni avec l'appareil.
 - l) N'utilisez en aucun cas une batterie autre que celle prévue pour cet appareil.
 - m) La batterie doit être tenue hors de portée des enfants.
 - n) Gardez la documentation d'origine du produit afin de pouvoir vous y référer ultérieurement.
 - o) Enlevez la batterie de l'appareil lorsque vous ne l'utilisez pas.
 - p) Respectez les procédures de mise au rebut.
 - q) Ne pas mélanger des piles de fabrication, capacité, taille ou type différents dans un appareil.
 - r) Protégez la batterie des micro-ondes et des hautes pressions.
 - s) Avertissement! N'utilisez pas de piles non rechargeables.

INSTRUCTIONS DE SÉCURITÉ POUR CHARGEURS



ATTENTION: Lire toutes les instructions et tous les avertissements liés à la sécurité. Lire toutes les instructions. Si les instructions ne sont pas respectées, il existe un risque de décharges électriques, d'incendie et/ou de blessures graves.

Conserver tous les avertissements et toutes les instructions pour pouvoir s'y reporter ultérieurement.

- Cet appareil peut être utilisé par des enfants âgés de 8 ans et plus, et des personnes ayant des capacités physiques, sensorielles ou mentales réduites, ou présentant un manque d'expérience et de connaissances, si elles sont sous surveillance ou formées à l'utilisation de l'appareil en toute sécurité et comprennent les risques qu'il entraîne. Les enfants ne doivent pas jouer avec l'appareil. L'entretien et le nettoyage ne doivent pas être effectués par des enfants sans surveillance.
- Si l'alimentation est endommagée, elle doit être remplacée par le fabricant, son agent de maintenance ou une personne qualifiée de façon similaire, afin d'éviter tout danger.

INSTRUCTIONS SUPPLÉMENTAIRES LIÉES À LA SÉCURITÉ POUR VOTRE CHARGEUR DE BATTERIE

1. Avant la recharge, lisez les instructions.
2. Ne chargez pas une batterie qui fuit.
3. N'utilisez pas de chargeurs pour des travaux autres que ceux pour lesquels ils sont conçus.
4. Ne branchez le chargeur que sur une alimentation réseau alternatif (AC).
5. Usage interne uniquement, n'exposez pas le chargeur à la pluie ou à l'eau.
6. Le chargeur doit être protégé de l'humidité !
7. N'utilisez pas le chargeur à l'extérieur.

8. Ne court-circuitez pas les contacts de la batterie ou du chargeur.
9. Respectez la polarité "+/-" lors de la charge.
10. N'ouvrez l'appareil et tenez-le hors de portée des enfants.
11. Ne chargez pas de batteries d'autres fabricants.
12. Assurez-vous que la connexion entre le chargeur de batterie et la batterie est correctement positionnée et n'est pas obstruée par des corps étrangers.
13. Laissez les fentes du chargeur de batterie libres d'objets étrangers et protégez-le de la poussière et de l'humidité. Stockez-le dans un endroit sec et qui ne gèle pas.
14. Lors de la charge de batteries, assurez-vous que le chargeur de batterie est dans un endroit bien ventilé et à l'écart de matériaux inflammables. Les batteries peuvent chauffer pendant la charge. Ne surchargez pas les batteries. Assurez-vous que les batteries et les chargeurs de batterie ne restent pas sans surveillance pendant la charge.
15. Ne chargez pas de batteries non rechargeables, car elles peuvent chauffer et s'endommager.
16. Une vie plus longue et de meilleures performances peuvent être obtenues si la batterie est chargée lorsque la température de l'air est entre 18°C et 24°C. Ne chargez pas la batterie à des températures ambiantes inférieures à 0°C, ou au-dessus de 40°C. Ceci est important, car la batterie peut en être sérieusement endommagée.
17. Chargez uniquement des batteries du même modèle que celui fourni par WESCO et des modèles recommandés par WESCO.

SYMBOLES



Pour réduire le risque de blessure, l'utilisateur doit lire le mode d'emploi



Avertissement



Porter une protection pour les oreilles



Porter une protection pour les yeux



Porter un masque contre la poussière



Usage interne uniquement (Chargeur)



Lire le manuel (Chargeur)



Les piles peuvent entrer dans le cycle de l'eau si elles sont éliminées de manière inappropriée, ce qui peut être dangereux pour l'écosystème. Ne pas jeter les piles usagées comme des déchets municipaux non triés.



Nicht verbrennen



Borne positive



Borne négative



Batterie Li-Ion Ce produit comporte un symbole de « Collecte séparée » de toutes les batteries. Il sera ensuite recyclé ou démantelé, afin de réduire l'impact sur l'environnement. Les batteries peuvent être dangereuses pour l'environnement et la santé humaine, car elles contiennent des substances dangereuses.



Double isolation (Chargeur)



Fusible



Les déchets d'équipements électriques et électroniques ne doivent pas être déposés avec les ordures ménagères. Ils doivent être collectés pour être recyclés dans des centres spécialisés. Consultez les autorités locales ou votre revendeur pour obtenir des renseignements sur l'organisation de la collecte.

INSTRUCTIONS D'UTILISATION



REMARQUE: Avant d'utiliser cet outil, lire attentivement le mode d'emploi.

UTILISATION PRÉVUE :

Cet outil est destiné au serrage et au desserrage des boulons, écrous et diverses fixations filetées. Cet outil n'est pas destiné à être utilisé comme une perceuse.

AVANT L'UTILISATION

1. CHARGER LA BATTERIE

- N'utilisez aucun chargeur autre que celui spécifiquement prévu pour être utilisé avec l'équipement.
- Si la batterie est très chaude, vous devez retirer votre batterie du chargeur et laisser refroidir la batterie avant de la recharger.
- La batterie de votre nouvel outil n'est pas chargée lorsqu'il quitte l'usine. Par conséquent, il doit être complètement chargé avant la première utilisation.
- Veillez charger la batterie pour atteindre une charge complète ou pas moins de la moitié avant de la ranger. Si l'outil n'est pas utilisé pendant de longues périodes, rechargez la batterie tous les 3 à 6 mois.



PROCÉDURE DE CHARGE (VOIR FIG. A1)

- Branchez le chargeur dans une prise appropriée. Le feu sera vert.
- Faites glisser la batterie dans le chargeur, le voyant deviendra

- rouge pour indiquer que le processus de charge a commencé.
- Lorsque la charge est terminée, le voyant passe au vert. Le pack est maintenant complètement chargé, débranchez le chargeur et retirez le pack batterie.

INDICATEUR DE CHARGE

Ce chargeur est conçu pour détecter certains problèmes pouvant survenir avec les batteries. Les voyants indiquent les problèmes (voir tableau ci-dessous). Si cela se produit, insérez une nouvelle batterie pour déterminer si le chargeur est en bon état. Si la nouvelle batterie se charge correctement, la batterie d'origine est défectueuse et doit être renvoyée à un centre de service ou à un centre de recyclage. Si la nouvelle batterie affiche le même problème que la batterie d'origine, faites tester le chargeur dans un centre de service agréé.

Lumière	Statut
Rouge allumé 	Mise en charge
Vert allumé 	Complètement chargé



AVERTISSEMENT: Lorsque la charge de la batterie est épuisée après une utilisation continue ou une exposition directe à la lumière du soleil ou à la chaleur, laissez le temps à l'outil de refroidir avant de le recharger pour atteindre la charge complète.

VÉRIFICATION DE L'ÉTAT DE L'ALIMENTATION DE LA BATTERIE (VOIR FIG. A2)

Le niveau de la batterie peut être connu à partir du voyant de la batterie en appuyant sur le bouton à côté des lumières.

2. POUR RETIRER OU INSÉRER LE BLOC-BATTERIE (VOIR FIG. B1, B2)

Appuyez sur le bouton de déverrouillage de la batterie et retirez la batterie de l'outil. Après la recharge, faites glisser la batterie dans le port de batterie de l'outil. Une simple pression et une légère pression suffiront.

OPÉRATION

1. INTERRUPTEUR MARCHE/ARRÊT (VOIR FIG. C)

Appuyez sur l'interrupteur marche/arrêt pour démarrer et relâchez-le pour arrêter votre perceuse.

L'interrupteur marche/arrêt est équipé d'une fonction de freinage qui arrête votre mandrin immédiatement lorsque vous relâchez rapidement l'interrupteur.

C'est également un interrupteur à vitesse variable qui offre une vitesse et un couple plus élevés avec une pression de déclenchement accrue. La vitesse est contrôlée par la quantité d'enfoncement de la gâchette de l'interrupteur.



AVERTISSEMENT: Ne pas faire fonctionner pendant de longues périodes à basse vitesse car un excès de chaleur sera produit à l'intérieur. En cas de surcharge, relâchez immédiatement l'interrupteur marche/arrêt pour éviter la surchauffe du moteur.

2. VERROUILLAGE DE L'INTERRUPTEUR (VOIR FIG. D)

La gâchette de l'interrupteur peut être verrouillée en position OFF. Cela aide à réduire la possibilité de démarrage accidentel lorsqu'il n'est pas utilisé. Pour verrouiller la gâchette de

l'interrupteur, placez la commande de rotation avant/arrière en position centrale.

3. VERROUILLAGE DE L'INTERRUPTEUR

L'interrupteur marche/arrêt peut être verrouillé en position OFF. Cela aide à réduire la possibilité de démarrage accidentel lorsqu'il n'est pas utilisé. Pour verrouiller l'interrupteur marche/arrêt, placez le sélecteur de sens de rotation en position centrale.

4. COMMANDE DE ROTATION AVANT/ARRIÈRE (VOIR FIG. E, F)

Pour une rotation vers l'avant (avec le mandrin pointé loin de vous), déplacez la commande de rotation vers la gauche. Pour une rotation inverse (avec le mandrin pointé loin de vous), déplacez la commande de rotation vers la droite.



AVERTISSEMENT: Ne changez jamais le sens de rotation lorsque le mandrin tourne, attendez qu'il s'arrête !

5. COMMANDE DE VITESSE À DEUX VITESSES (VOIR FIG. G, H)

La perceuse est équipée d'une commande de vitesse à deux vitesses conçue pour percer ou conduire à des vitesses LO (la marque est 1) ou HI (la marque est 2). Un interrupteur à glissière est situé sur le dessus de la perceuse pour sélectionner la vitesse LO ou HI. Lorsque vous utilisez la perceuse dans la plage de vitesse LO, la vitesse diminuera et la perceuse aura plus de puissance et de couple. Lorsque vous utilisez la perceuse dans la plage de vitesse HI, la vitesse augmentera et la perceuse aura moins de puissance et de couple.

Vitesse I

Gamme basse vitesse : pour visser ou travailler avec de gros diamètres de perçage.

Vitesse II

Gamme grande vitesse : pour travailler avec de petits diamètres de perçage.

Déplacez la commande de rotation vers la droite.



AVERTISSEMENT: Lorsque la surcharge se produit fréquemment sur le rapport à grande vitesse, passez au rapport à basse vitesse pour éviter la surchauffe du moteur.

6. RÉGLAGE DU MANDRIN (VOIR FIG. I)

Pour ouvrir les mâchoires du mandrin, faites pivoter la partie avant du mandrin. Insérez le foret entre les mâchoires du mandrin et faites tourner la section avant dans le sens opposé. Assurez-vous que le foret est au centre des mâchoires du mandrin. Enfin, tournez fermement la section du mandrin avant dans les directions opposées. Votre foret est maintenant serré dans le mandrin.

7. RÉGLAGE DU COUPLE (VOIR FIG. J)

(Visser la force motrice de votre perceuse-visseuse)

Le couple est ajusté en tournant la bague de réglage du couple. Le couple est plus important lorsque la bague de réglage du couple est réglée sur un réglage plus élevé. Le couple est moindre lorsque la bague de réglage du couple est réglée sur un réglage inférieur.

Effectuez le réglage comme suit :

1-4	pour enfoncer de petites vis
5-9	pour enfoncer des vis dans des matériaux tendres

10-14	pour enfoncer des vis dans des matériaux tendres et durs
15-19	pour enfoncer des vis dans du bois dur
20	pour enfoncer des vis plus grosses
	pour forage lourd

8. UTILISATION DU CLIP DE CEINTURE (VOIR FIG. K)

Vissez le clip de ceinture sur l'outil avec la vis. Le clip de ceinture peut être accroché à votre ceinture ou à votre poche, etc.

9. UTILISATION DE LA LUMIÈRE DE VISÉE

Pour allumer la lumière, appuyez sur l'interrupteur marche/arrêt et assurez-vous que la commande de rotation avant/arrière est sur la position droite/gauche. Lorsque vous relâchez l'interrupteur marche/arrêt, la lumière s'éteint.

L'éclairage LED augmente la visibilité, idéal pour les zones sombres ou fermées.

10. FORAGE

Lorsque vous percez dans une surface dure et lisse, utilisez un poinçon central pour marquer l'emplacement du trou souhaité. Cela empêchera le foret de glisser hors du centre lorsque le trou est commencé.

Tenez fermement l'outil et placez la pointe du foret à l'endroit à percer.

Appuyez sur la gâchette pour démarrer l'outil.

Déplacez le foret dans la pièce à usiner, en appliquant juste assez de pression pour que le foret continue de couper. Ne forcez pas et n'appliquez pas de pression latérale pour allonger un trou. Les forets en carbure de tungstène doivent toujours être utilisés pour le béton et la maçonnerie. Pour percer dans le métal, n'utilisez que des forets hss en bon état. Utilisez toujours un porte-embout magnétique lorsque vous utilisez des embouts de tournevis courts. Lors du vissage, appliquez une petite quantité de savon liquide ou similaire sur les filets de vis pour faciliter l'insertion.

11. PROTECTION CONTRE LES SURCHARGES

En cas de surcharge, le moteur s'arrête. Soulagez immédiatement la charge sur l'outil et relâchez l'interrupteur marche/arrêt. Redémarrez l'outil normalement.

12. SURCHARGE DÉPENDANTE DE LA TEMPÉRATURE PROTECTION

Lors de l'utilisation conforme à l'usage prévu, l'outil électrique ne peut pas être soumis à une surcharge. Lorsque la charge est trop élevée ou que la température admissible de la batterie est trop élevée, la commande électronique éteint l'outil électrique jusqu'à ce que la température se situe à nouveau dans la plage de température optimale.

13. MISE AU REBUT D'UNE BATTERIE ÉPUISEE



Pour préserver les ressources naturelles, veuillez recycler ou éliminer correctement la batterie. Cette Li-Ion batterie contient des piles au lithium. Consultez votre autorité locale de gestion des déchets pour obtenir des informations sur les options de recyclage et/ou d'élimination disponibles. Déchargez votre batterie en faisant fonctionner votre perceuse, puis retirez la batterie du boîtier de la perceuse et couvrez les connexions de la batterie avec du ruban adhésif

résistant pour éviter les courts-circuits et les décharges d'énergie. N'essayez pas d'ouvrir ou de retirer l'un des composants.

SOLUTION DU PROBLÈME

1. Pourquoi la perceuse ne s'allume-t-elle pas lorsque vous appuyez sur l'interrupteur ?

La commande de rotation avant/arrière, qui se trouve au-dessus de la gâchette, est positionnée dans la fonction de verrouillage. Déverrouillez la commande de rotation avant/arrière en la mettant dans la position de rotation requise. Appuyez sur la gâchette et la perceuse commencera à tourner.

2. La perceuse s'arrête avant que la vis ne soit complètement serrée. Pourquoi ?

Vérifiez la position de couple de la bague de réglage de couple, vous pouvez trouver la bague de réglage de couple entre le mandrin et le corps du foret. La position 1 correspond au couple le plus faible (force de vissage) et la position 20 au couple le plus élevé (force de vissage). La position 2 est pour l'opération de forage. Réglez la bague de réglage du couple sur une position plus élevée pour obtenir le meilleur résultat.

3. Je n'arrive pas à mettre la batterie dans le chargeur de batterie. Pourquoi ?

La batterie ne peut être insérée dans le chargeur que dans un seul sens. Tournez la batterie jusqu'à ce qu'elle puisse être insérée dans la fente.

4. Raisons des différents temps de fonctionnement de la batterie

Les problèmes de temps de charge et le fait de ne pas avoir utilisé une batterie pendant une période prolongée réduiront le temps de fonctionnement de la batterie. Cela peut être corrigé après plusieurs opérations de charge et de décharge en chargeant et en travaillant avec votre perceuse. Des conditions de travail difficiles telles que de grosses vis dans du bois dur épuiseront l'énergie de la batterie plus rapidement que des conditions de travail plus légères. Ne rechargez pas votre batterie en dessous de 0°C et au-dessus de 40°C car cela affectera les performances.

ENTRETIEN

Retirer la batterie de la scie avant tout ajustement, entretien ou intervention sur la machine.

L'outil motorisé ne requiert pas de graissage ou d'entretien particulier. Il n'y a pas de pièces réparables par l'utilisateur dans cet outil. Ne jamais utiliser d'eau ou de nettoyants chimiques pour nettoyer l'outil. Nettoyer avec un chiffon sec. Toujours conserver l'outil motorisé dans un endroit sec. Maintenir les fentes de ventilation du moteur propres. Empêcher que les commandes de marche soient couvertes de sciure. Il est normal que des étincelles soient visibles dans les fentes de ventilation, cela n'endommagera pas l'outil motorisé.

Pour les outils à batterie

La plage de température ambiante pour l'utilisation et le stockage de l'outil et de la batterie est de 0 °C à 45 °C. La plage de température ambiante recommandée pour le système de recharge au cours de la charge est de 0 °C à 40 °C.

PROTECTION DE L'ENVIRONNEMENT



Les déchets d'équipements électriques et électroniques ne doivent pas être déposés avec les ordures ménagères. Ils doivent être collectés pour être recyclés dans des centres spécialisés. Consultez les autorités locales ou votre revendeur pour obtenir des renseignements sur l'organisation de la collecte.

DÉCLARATION DE CONFORMITÉ

Nous,
POSITEC Germany GmbH
Postfach 32 02 16, 50796 Cologne, Germany

Déclarons que ce produit,
Description **Clé à percussions sans fil avec moteur sans balais**

Modèle **WS2388 (23- désignation des machines, représentant un tournevis ou une clé à chocs)**

Fonctions **Serrer et desserrer les vis et les boulons**

Est conforme aux directives suivantes,

2006/42/EC
2011/65/EU & (EU)2015/863
2014/30/EU
2014/35/EU
2006/66/EC & 2013/56/EU

Et conforme aux normes,

EN 62841-1
EN 62841-2-1
EN 55014-1
EN 55014-2
EN IEC 61000-3-2
EN 61000-3-3
EN 60335-1
EN 60335-2-29
EN 62233
EN 62133-2

La personne autorisée à compiler le dossier technique,

Nom **Marcel Filz**
Adresse **POSITEC Germany GmbH**
Postfach 32 02 16, 50796 Cologne, Germany



2023/04/04

Allen Ding




Ingénieur en chef adjoint, Essais & Certification
Positec Technology (China) Co., Ltd
18, Dongwang Road, Suzhou Industrial
Park, Jiangsu 215123, P. R. China

ELEMENTI DELL'APPARECCHIO

1. Mandrino senza chiave
2. Anello di regolazione della coppia
3. Controllo del cambio a due velocità
4. Controllo rotazione avanti/indietro
5. Impugnatura morbida
6. Batteria
7. Pulsante rilascio pacco batteria
8. Luce LED
9. Interruttore acceso/spento
10. Clip da cintura

DATI TECNICI

Tipo WS2388 (23 - designazione del macchinario, rappresentativo del trapano avvitatore a batteria)

Tensione nominale	18V 
Velocità nominale a vuoto	0-400/1600 /min
coppia massima	30 Nm
Peso della macchina	1.2 kg
Ingresso caricabatterie (WS9969)	100-240V~50/60Hz, 55W
Uscita caricabatterie (WS9969)	20 V  2.0 A
Classe di protezione	 /II
Tempo di carica	1 hr
Capacità della batteria (WS9970)	2.0 Ah Li-ion

INFORMAZIONI SUL RUMORE

Pressione acustica ponderata A

Potenza acustica ponderata A

K_{pa} & K_{wa}

L_{pa} = 70 dB(A)

L_{wa} = 81 dB(A)

5 dB(A)

Indossare protezione per le orecchie.

INFORMAZIONI SULLA VIBRAZIONE

I valori totali di vibrazione (somma vettoriale triassiale) sono determinati secondo lo standard EN 62841:

Valore emissione vibrazioni $a_h = 3,86 \text{ m/s}^2$

Incertezza $K = 1.5 \text{ m/s}^2$

Il valore totale di emissione di vibrazioni dichiarato e il valore di emissioni sonore dichiarati sono stati misurati in base a un metodo di collaudo standard e possono essere utilizzati per il confronto di un utensile con un altro.

Il valore totale di emissione di vibrazioni dichiarato e il valore di emissioni sonore dichiarato possono anche essere utilizzati in una valutazione preliminare dell'esposizione.



AVVERTENZA: le emissioni di vibrazioni e sonore durante l'uso effettivo dell'elettro utensile possono differire dal valore dichiarato in base alle modalità con cui esso viene utilizzato. In particolare quale tipo di pezzo viene lavorato dipende dai seguenti fattori e da altre variazioni sulle modalità di utilizzo dell'elettro utensile:

Come viene usato l'elettro utensile e quali sono i materiali tagliati o forati.

Le condizioni e la buona manutenzione dell'elettro utensile.

L'uso dell'accessorio corretto per il taglio e la sua affilatura, nonché le sue buone condizioni.

La tenuta della presa sulle impugnature e se vengono utilizzati eventuali accessori antivibrazioni e antirumore.

L'adeguatezza dell'utilizzo dell'elettro utensile rispetto a quanto previsto.

Questo elettro utensile potrebbe causare l'insorgenza della sindrome della vibrazione dell'avambraccio se il suo utilizzo non viene gestito correttamente.



AVVERTENZA: per essere precisi, una stima del livello di esposizione nelle attuali condizioni di utilizzo dovrebbe anche tenere conto di tutte le parti del ciclo operativo, come le volte in cui lo strumento viene spento e il tempo in cui viene lasciato girare a vuoto senza realmente fare il suo lavoro. Questo potrebbe ridurre significativamente il livello di esposizione sul periodo di lavoro totale.

Aiuto a minimizzare il rischio di esposizione alle vibrazioni e al rumore.

Usare sempre scalpelli, trapani e lame affilati.

Conservare questo elettro utensile sempre in conformità a queste istruzioni e mantenerlo ben lubrificato (dove appropriato).

Se l'utensile deve essere utilizzato regolarmente, investire in accessori antivibrazioni e antirumore.

Pianificare il lavoro in modo da suddividere i lavori che implicano le maggiori vibrazioni nell'arco di più giorni.

ACCESSORI

Caricabatteria (WS9969)	1
Batteria (WS9970)	1
Clip da cintura	1

Si raccomanda di acquistare tutti gli accessori nello stesso negozio in cui è stato acquistato l'attrezzo. Fare riferimento alla confezione dell'accessorio per altri dettagli. Il personale del negozio può aiutarvi e consigliarvi.

SICUREZZA DEL PRODOTTO

AVVISI GENERALI PER LA SICUREZZA DEGLI UTENSILI A MOTORE



AVVERTENZA: Leggere tutte le avvertenze di sicurezza, le istruzioni, le illustrazioni e le specifiche fornite con questo elettroutensile. La mancata osservanza delle istruzioni elencate di seguito potrebbe provocare una scossa elettrica, un incendio e/o lesioni gravi.

Conservare tutti gli avvisi e le istruzioni per poterli consultare quando necessario.

Il termine «elettrodomestico elettrico» utilizzato di seguito in questo manuale si riferisce a utensili elettrici alimentati dalla rete (con linea di allacciamento), oltre che ad utensili elettrici alimentati a batteria (senza linea di allacciamento).

1. POSTO DI LAVORO

- a) **Mantenere pulito e ordinato il posto di lavoro.** Il disordine e le zone di lavoro non illuminate possono essere fonte di incidenti.
- b) **Evitare d'impiegare l'utensile in ambienti soggetti al rischio di esplosioni nei quali siano presenti liquidi, gas o polveri infiammabili.** Gli utensili elettrici producono scintille che possono incendiare polveri e gas.
- c) **Mantenere lontani i bambini e altre persone durante l'impiego dell'utensile elettrico.** Eventuali distrazioni potranno comportare la perdita di controllo sull'utensile.

2. SICUREZZA ELETTRICA

- a) **La spina elettrica dovrà essere adatta alla presa di corrente.** Evitare assolutamente di apportare modifiche alla spina. Non impiegare spine adattatrici assieme a utensili con collegamento a terra. Le spine non modificate e le prese adatte allo scopo riducono il rischio di scosse elettriche.
- b) **Evitare il contatto fisico con superfici collegate a terra, come tubi, apparecchiature per il riscaldamento, cucine elettriche e frigoriferi.** Nel momento in cui il corpo è messo a massa sussiste un maggior rischio di scosse elettriche.
- c) **Custodire l'utensile al riparo dalla pioggia o dall'umidità.** L'eventuale infiltrazione di acqua in un elettroutensile comporta un aumento del rischio d'insorgenza di scosse elettriche.
- d) **Non usare il cavo di alimentazione per scopi diversi da quelli previsti, al fine di trasportare o appendere l'elettrodomestico, oppure per staccare la spina dalla presa di corrente.** Mantenere l'elettrodomestico al riparo da fonti di calore, olio, spigoli o parti di strumenti in movimento. I cavi danneggiati o aggrovigliati aumentano il rischio d'insorgenza di scosse elettriche.
- e) **Qualora si voglia usare l'utensile all'aperto, impiegare solo ed esclusivamente cavi di prolunga omologati per l'impiego all'esterno.** L'uso di un cavo di prolunga omologato per l'impiego all'esterno riduce il rischio d'insorgenza di scosse elettriche.
- f) **Se si deve utilizzare l'elettrodomestico in un luogo umido, utilizzare una fonte di alimentazione dotata di interruttore differenziale.** L'uso di un interruttore differenziale riduce il rischio di folgorazioni elettriche.

3. SICUREZZA DELLE PERSONE

- a) **È importante concentrarsi su ciò che si sta facendo e maneggiare con giudizio l'elettrodomestico mentre si lavora.**

Non utilizzare l'elettrodomestico quando si è stanchi o sotto l'effetto di alcol, stupefacenti e medicinali. Un attimo di distrazione durante l'uso dell'elettrodomestico potrebbe causare lesioni gravi.

- b) **Indossare sempre dispositivi di protezione individuale, e guanti protettivi.** Se si avrà cura d'indossare equipaggiamento protettivo individuale come una maschera antipolvere, calzature antiscivolo di sicurezza, elmetto o dispositivi di protezione acustica, a seconda dell'impiego previsto per l'elettrodomestico, si potrà ridurre il rischio di lesioni.
 - c) **Evitare l'avviamento involontario. Controllare che l'interruttore sia nella posizione di spegnimento (off) prima di effettuare il collegamento a una fonte di alimentazione/ batteria e prima di sollevare o trasportare l'elettrodomestico.** Il fatto di tenere il dito sopra all'interruttore o di collegare l'utensile acceso all'alimentazione di corrente potrebbe essere causa di incidenti.
 - d) **Togliere gli attrezzi di regolazione o la chiave inglese prima di accendere l'elettrodomestico.** Un attrezzo o una chiave inglese che si trovino in una parte della macchina che sta girando può causare lesioni a persone.
 - e) **È importante non sopravvalutarsi. Avere cura di mettersi in una posizione sicura e di mantenere l'equilibrio.** In tal modo sarà possibile controllare meglio la macchina in situazioni inaspettate.
 - f) **Indossare indumenti adeguati.** Evitare di indossare vestiti lenti o gioielli. Tenere i capelli e gli indumenti lontani dalle parti mobili. Vestiti lenti, gioielli o capelli lunghi potrebbero impigliarsi in parti in movimento.
 - g) **Se sussiste la possibilità di montare dispositivi di aspirazione o di captazione della polvere, assicurarsi che gli stessi siano stati installati correttamente e vengano utilizzati senza errori.** L'impiego dei suddetti dispositivi diminuisce il pericolo rappresentato dalla polvere.
 - h) **Non lasciare che la familiarità acquisita con l'utilizzo frequente dell'elettrodomestico si trasformi in autocompiacimento e trascuratezza dei principi di sicurezza.** Un'azione imprudente può causare lesioni gravi entro una frazione di secondo.
- ### 4. MANEGGIO E IMPIEGO ACCURATO DI ELETTROUTENSILI
- a) **Non sovraccaricare l'elettrodomestico.** Impiegare l'elettrodomestico adatto per eseguire il lavoro. Utilizzando l'elettrodomestico elettrico adatto si potrà lavorare meglio e con maggior sicurezza nell'ambito della gamma di potenza indicata.
 - b) **Non utilizzare elettroutensili con interruttori difettosi.** Un elettroutensile che non si può più accendere o spegnere è pericoloso e dovrà essere riparato.
 - c) **Staccare la spina dalla presa di corrente e/o rimuovere la batteria, se rimovibile, dall'elettrodomestico prima di effettuare qualsiasi regolazione, sostituire gli accessori o riporre gli utensili elettrici.** Tale precauzione eviterà che la macchina possa essere messa in funzione inavvertitamente.
 - d) **Custodire gli elettroutensili non utilizzati fuori della portata dei bambini.** Non fare usare l'apparecchio a persone non abituate a farlo o che non abbiano letto le presenti istruzioni. Gli elettroutensili sono pericolosi se utilizzati da persone inesperte.
 - e) **Eseguire la manutenzione di elettroutensile e accessori.** Verificare che le parti mobili dell'elettrodomestico funzionino perfettamente e non s'inceppino, che non ci siano pezzi rotti o danneggiati al punto tale da limitare la funzione della macchina stessa. Far riparare le parti danneggiate prima di

utilizzare l'elettrotensile. Numerosi incidenti vengono causati da elettrotensili la cui manutenzione è stata effettuata in modo poco accurato.

- f) **Mantenere affilati e puliti gli utensili da taglio.** Gli utensili da taglio curati con particolare attenzione e con taglienti affilati s'incepanno meno di frequente e sono più facili da condurre.
- g) **Utilizzare elettrotensili, accessori, attrezzi, ecc. in conformità con le presenti istruzioni e secondo quanto previsto per questo tipo specifico di macchina.** Osservare le condizioni di lavoro e il lavoro da eseguire durante l'impiego. L'impiego di elettrotensili per usi diversi da quelli consentiti potrà dar luogo a situazioni di pericolo.
- h) **Mantenere le impugnature e le superfici di presa asciutte, pulite e prive di olio e grasso.** Le impugnature e le superfici di presa scivolose non permettono l'uso e il controllo sicuri dell'elettrotensile in situazioni impreviste.

5. MANEGGIO E IMPIEGO ACCURATO DELLE BATTERIE

- a) **Caricare la batteria solo ed esclusivamente con i dispositivi di carica consigliati dal produttore.** Per un dispositivo di carica previsto per un determinato tipo di batteria, sussiste pericolo di incendio, se utilizzato con una batteria di tipo diverso.
 - b) **Utilizzare negli elettrotensili elettrici solo ed esclusivamente le batterie previste per tale scopo.** L'uso di batterie di tipo diverso potrebbe dare insorgenza a lesioni a persone e comportare il rischio d'incendi.
 - c) **Tenere la batteria non utilizzata lontano da graffette, monete, chiavi, chiodi, viti o altri oggetti in metallo di piccole dimensioni che potrebbero causare un ponte tra i contatti.** Un eventuale cortocircuito tra i contatti della batteria può dare origine a bruciateure o ad incendi.
 - d) **In caso di impiego sbagliato, possono verificarsi fuoriuscite di liquido dalla batteria. Evitarne il contatto.** In caso di contatto casuale, sciacquare con acqua. Qualora il liquido dovesse entrare in contatto con gli occhi, chiedere immediato consiglio a un medico. Il liquido fuoriuscito dalla batteria può causare irritazioni cutanee o bruciateure.
 - e) **Non utilizzare una batteria o un elettrotensile danneggiati o modificati.** Le batterie danneggiate o modificate potrebbero manifestare un comportamento imprevedibile con la possibilità di causare un'esplosione o un incendio.
 - f) **Non esporre una batteria o un utensile al fuoco o a temperature elevate.** L'esposizione al fuoco o a una temperatura superiore a 130°C potrebbe provocare un'esplosione.
 - g) **Seguire tutte le istruzioni per la carica e non caricare la batteria o l'elettrotensile a una temperatura che non rientri nell'intervallo di valori specificato nelle istruzioni.** Una ricarica effettuata in maniera scorretta o a una temperatura che non rientra nell'intervallo di valori specificato, potrebbe danneggiare la batteria aumentando il rischio d'incendio.
- #### 6. ASSISTENZA
- a) **Fare riparare l'apparecchio esclusivamente da personale specializzato e solo impiegando pezzi di ricambio originali.** In tal modo potrà essere salvaguardata la sicurezza dell'apparecchio.
 - b) **Non riparare le batterie danneggiate.** Gli interventi di riparazione sulle batterie devono essere eseguiti dal costruttore o da fornitori di assistenza autorizzati.

NORME DI SICUREZZA SUPPLEMENTARI PER IL TRAPANO A PERCUSSIONE A BATTERIA

- 1) **ISTRUZIONI DI SICUREZZA PER TUTTE LE OPERAZIONI**
 - a) **Indossare protezioni per le orecchie con tutti i trapani a percussione.** L'esposizione al rumore può provocare la perdita dell'udito.
 - b) **Qualora si eseguano attività che prevedano il contatto dell'attrezzo con fili elettrici nascosti o con lo stesso cavo di alimentazione, tenere l'utensile da taglio servendosi delle apposite impugnature isolate.** In questo modo, si eviterà il contatto con i fili sotto tensione, impedendo il trasferimento della stessa alle parti metalliche dell'attrezzo ed il conseguente rischio di scossa elettrica per l'operatore.
- 2) **ISTRUZIONI DI SICUREZZA QUANDO SI USANO PUNTE DEL TRAPANO LUNGHE**
 - a) **Non operare mai a una velocità superiore a quella massima della velocità della punta del trapano.** A velocità più elevate, è probabile essere piegata se gli si consente di ruotare liberamente senza toccare il pezzo, con conseguenti lesioni personali.
 - b) **Iniziare sempre la foratura a bassa velocità e con la punta a contatto con il pezzo.** A velocità più elevate, è probabile essere piegata se gli si consente di ruotare liberamente senza toccare il pezzo, con conseguenti lesioni personali.
 - c) **Applicare la pressione solo in linea diretta con la punta e non dare una pressione eccessiva.** Le punte possono piegarsi causando rotture o perdita di controllo, con conseguenti lesioni personali.

ISTRUZIONI PER LA SICUREZZA DEL PACCO BATTERIA

- a) **Non smontare, aprire o strappare le cellule secondarie o il pacco batteria.**
- b) **Non cortocircuitare un pacco batteria.** Non conservare un pacco batteria disordinatamente in una scatola o un cassetto in cui potrebbero cortocircuitarsi tra essi o essere cortocircuitati da altri oggetti metallici. Quando il pacco batteria non è in uso, tenerlo lontano da altri oggetti metallici come graffette, monete, chiavi, chiodi, viti e altri piccoli oggetti metallici, potrebbe avverarsi un collegamento tra i due terminali. Collegare i terminali della batteria potrebbe causare incendi o ustioni.
- c) **Non esporre il pacco batteria a calore o fuoco.** Evitare di conservarli alla luce diretta del sole.
- d) **Non sottoporre il pacco batteria a scosse meccaniche.**
- e) **In caso di perdite da una cellula, evitare che il liquido entri in contatto con la pelle o gli occhi.** In caso di contatto, lavare l'area interessata con abbondante acqua e consultare un medico.
- f) **Tenere le cellule e il pacco batteria puliti e asciutti.**
- g) **Pulire i terminali delle cellule e del pacco batteria con un panno pulito e asciutto nel caso in cui si sporchino.**
- h) **Il pacco batteria deve essere caricato prima dell'uso.** Utilizzare sempre il caricatore corretto e consultare le istruzioni.
- i) **Non lasciare un pacco batteria in carica se non in uso.**
- j) **Dopo lunghi periodi di conservazione, potrebbe essere necessario caricare e scaricare le cellule o il pacco batteria diverse volte per ottenere le massime**

- prestazioni.
- k) Ricaricare solo con il caricatore specificato da WESCO. Non utilizzare caricatori diversi da quelli forniti per l'uso specifico con l'apparecchiatura.
 - l) Non utilizzare un pacco batteria non progettato per l'uso con l'apparecchiatura.
 - m) Tenere il pacco batteria fuori dalla portata dei bambini.
 - n) Conservare i documenti originali del prodotto per riferimenti futuri.
 - o) Rimuovere la batteria dall'apparecchiatura, se non in uso.
 - p) Smaltire adeguatamente.
 - q) Non mischiare batterie di diverse marche, capacità, dimensioni o tipologia nello stesso dispositivo.
 - r) Protégez la batterie des micro-ondes et des hautes pressions.
 - s) **Attenzione! Non utilizzare batterie non ricaricabili.**

INDICAZIONI DI SICUREZZA PER CARICABATTERIA

AVVERTENZA: Leggere tutte le avvertenze per la sicurezza e tutte le istruzioni. Eventuali errori nell'adempimento delle istruzioni qui di seguito riportate potranno causare scosse elettriche, incendi e/o lesioni gravi.

Conservare tutti gli avvisi e le istruzioni per poterle consultare quando necessario.

- L'apparecchio può essere usato da bambini da 8 anni in su e persone con ridotte capacità fisiche, sensoriali o mentali, o con mancanza di esperienza e conoscenza, se sono sotto la supervisione o seguono le istruzioni sull'uso dell'apparecchio in modo sicuro e comprendono i possibili rischi. I bambini non devono giocare con l'apparecchio. La pulizia e la manutenzione non devono essere fatte dai bambini senza supervisione.
- Se il cavo d'alimentazione è danneggiato, deve essere sostituito dal produttore, il suo distributore o persona egualmente qualificata per evitare pericoli.

ALTRE ISTRUZIONI PER LA SICUREZZA DEL CARICABATTERIE

1. Prima di effettuare la carica delle batterie leggere le istruzioni.
2. Non caricare batterie con perdita di elettroliti.
3. Non utilizzare caricatori per operazioni diversi da quelli per i quali sono stati realizzati.
4. Collegare il caricatore solo ad alimentazione CA.
5. Solo uso interno, non esporre alla pioggia o all'acqua.
6. Il caricatore deve essere protetto dall'umidità.
7. Non usare il caricatore all'esterno.
8. Non cortocircuitare i contatti della batteria o del caricatore.
9. Rispettare la polarità "+/-" durante la ricarica.
10. Non aprire l'apparecchiatura. Tenerla fuori dalla portata dei bambini.
11. Non ricaricare le batterie di altri costruttori.
12. Verificare che il collegamento tra caricabatteria e la batteria sia posizionato in modo corretto, e che non ci siano corpi estranei.
13. Evitare che le aperture di ventilazione del caricabatterie siano ostruite da oggetti. Proteggere la macchina da polvere e umidità. Riporre il caricabatterie in un luogo asciutto e

temperato.

14. Durante la ricarica delle batterie, verificare che il caricabatterie si trovi in un'area ben ventilata e distante da materiali infiammabili. Le batterie possono scaldarsi durante la ricarica. Non lasciare incustoditi batterie e caricatori durante la ricarica.
15. Non ricaricare batterie che non siano ricaricabili, perché potrebbero surriscaldarsi ed esplodere.
16. Una maggior durata nel tempo e prestazioni migliori possono essere ottenute se le batterie vengono caricate a una temperatura dell'aria compresa tra i 18 °C e i 24°C. Non caricare le batterie a temperature inferiori a 0°C o superiori a 40°C. Questo dettaglio è importante in quanto può evitare danni seri alle batterie.
17. Caricare solo pacchi batterie del modello fornito o raccomandato da WESCO.

SIMBOLI



Per ridurre il rischio di lesioni, l'utente deve leggere il manuale di istruzioni.



Attenzione



Indossare protezione per le orecchie



Indossare protezione per gli occhi



Indossare una mascherina antipolvere



Solo uso interno (Caricabatteria)



Leggere il manuale (Caricabatteria)



Se smaltite in maniera scorretta, le batterie potrebbero entrare nel ciclo dell'acqua, con conseguenti rischi per l'ambiente. Non smaltire le batterie esaurite nei rifiuti generici.



Non bruciare



Terminale positivo



Terminale negativo



Batteria agli ioni di litio (Li-Ion). Questo prodotto è stato contrassegnato con un simbolo riguardante la raccolta differenziata per tutti i pacchi batteria. La batteria sarà poi riciclata o demolita allo scopo di ridurre l'impatto ambientale. I pacchi batteria possono costituire un pericolo per l'ambiente e per la salute umana in quanto contengono sostanze pericolose.



Double isolation (Caricabatteria)



Fusibile



I prodotti elettrici non possono essere gettati tra i rifiuti domestici. L'apparecchio da rottamare deve essere portato al centro di riciclaggio per un corretto trattamento. Controllare con le autorità locali o con il rivenditore per localizzare il centro di riciclaggio più vicino.

ISTRUZIONI SUL FUNZIONAMENTO



NOTA: Leggere scrupolosamente il manuale delle istruzioni prima di usare l'attrezzo.

USO CONFORME ALLE NORME:

Questo strumento è destinato al fissaggio e all'allentamento di bulloni, dadi e vari elementi di fissaggio filettati. Questo strumento non è destinato all'uso come trapano.

PRIMA DEL FUNZIONAMENTO

1. CARICARE LA BATTERIA

- Non utilizzare i caricabatterie diversi da quelli specificatamente designati per l'utensile.
- Se il pacco batteria è molto caldo, dovere rimuovere il pacco batteria dal caricabatterie e attendere che la batteria si raffreddi prima di ricaricarla.
- La batteria del nuovo utensile non viene caricata quando lascia l'impianto. Pertanto deve essere completamente carico prima di utilizzare la prima volta.
- Caricare la batteria per raggiungere la carica completa prima della conservazione. Se non si utilizza l'utensile a lungo, caricare la batteria ogni 3-6 mesi.

PROCEDURA DI RICARICA (VEDERE FIGURA. A1)

- Collegare il caricabatteria a una presa di corrente appropriata. L'indicatore diventerà verde.
- Fare scorrere il gruppo batteria nel caricabatteria; l'indicatore diventerà rosso, a indicare che il processo di ricarica è in corso.
- Quando la ricarica è terminata, l'indicatore diventerà verde. Il gruppo batteria è ora completamente carico; scollegare il caricabatteria e rimuovere il gruppo batteria.

INDICATORE DI CARICA

Questo caricabatteria è progettato per rilevare eventuali problemi del gruppo batteria, segnalati dalle spie (v. tabella sottostante).

In tal caso, inserire un nuovo gruppo batteria per determinare se il caricabatteria è in buono stato. Se il nuovo gruppo batteria si ricarica correttamente, allora il gruppo caricabatteria originale è difettoso e deve essere portato presso un centro di assistenza o di riciclaggio. Se il nuovo gruppo batteria riporta lo stesso problema del gruppo batteria originale, fare ispezionare il caricabatteria presso un centro di assistenza autorizzato.

Spia	Stato
Rossa accesa	Ricarica in corso
Verde accesa	Ricarica completa



ATTENZIONE: Se la batteria viene caricata dopo un uso prolungato o dopo l'esposizione diretta alla luce solare o al calore, lasciare del tempo affinché la batteria si raffreddi prima della ricarica per ottenere la carica completa.

VERIFICA DELLO STATO DI ALIMENTAZIONE DEL PACCO BATTERIA (VEDI FIG. A2)

Il livello della batteria può essere conosciuto dalla spia della batteria premendo il pulsante accanto alle luci.

2. IMMOZIONE E INSTALLAZIONE DELL'UNITÀ BATTERIA (VEDERE FIGURA. B1, B2)

Premere il rilascio del pacco batteria per rimuoverlo dal trapano. Dopo la ricarica far scorrere la batteria attraverso la porta della batteria del trapano. Sarà sufficiente una leggera pressione.

FUNZIONAMENTO

1. INTERRUOTTORE DI ACCENSIONE/SPEGNIMENTO (VEDI FIG. C)

Premere l'interruttore On/Off per avviare e rilasciarlo per arrestare il trapano.

L'interruttore on/off è dotato di una funzione freno che arresta immediatamente il mandrino quando si rilascia rapidamente l'interruttore.

È anche un interruttore a velocità variabile che fornisce velocità e coppia più elevate con una maggiore pressione del grilletto. La velocità è controllata dalla quantità di depressione del grilletto dell'interruttore.



AVVERTIMENTO: Non operare per lunghi periodi a bassa velocità perché si produrrà calore in eccesso all'interno. Quando si verifica un sovraccarico, rilasciare immediatamente l'interruttore on/off per evitare il surriscaldamento del motore.

2. BLOCCO INTERRUOTTORE (VEDI FIG. D)

Il grilletto dell'interruttore può essere bloccato in posizione OFF. Questo aiuta a ridurre la possibilità di avviamento accidentale quando non in uso. Per bloccare il grilletto dell'interruttore, posizionare il comando di rotazione avanti/indietro in posizione centrale.

3. BLOCCO INTERRUOTTORE

L'interruttore on/off può essere bloccato in posizione OFF. Questo aiuta a ridurre la possibilità di avviamento accidentale quando non in uso. Per bloccare l'interruttore on/off, posizionare il selettore del senso di rotazione in posizione centrale.

4. CONTROLLO ROTAZIONE AVANTI/INDIETRO (VEDI FIG. E, F)

Per la rotazione in avanti, (con il mandrino puntato lontano da te) sposta il controllo di rotazione verso sinistra.

Per la rotazione inversa, (con il mandrino rivolto lontano da te) sposta il controllo di rotazione verso destra.



AVVERTIMENTO: Non cambiare mai il senso di rotazione mentre il mandrino è in rotazione, attendere che si sia fermato!

5. COMANDO CAMBIO A DUE VELOCITÀ (VEDI FIG. G, H)

Il trapano ha un comando a due velocità progettato per la perforazione o la guida a velocità LO (il segno è 1) o HI (il segno è 2). Un interruttore a scorrimento si trova sulla parte superiore del trapano per selezionare la velocità LO o HI. Quando si utilizza il trapano nella gamma di velocità LO, la velocità diminuirà e il trapano avrà maggiore potenza e coppia. Quando si utilizza il trapano nella gamma di velocità HI, la velocità aumenterà e il trapano avrà meno potenza e coppia.

Ingranaggio I

Gamma bassa velocità: per avvitare o lavorare con grandi diametri di foratura.

Ingranaggio II

Gamma ad alta velocità: per lavorare con piccoli diametri di foratura.

spostare il controllo di rotazione verso destra.



AVVERTIMENTO: Quando il sovraccarico si verifica frequentemente sulla marcia ad alta velocità, passare alla marcia a bassa velocità per evitare il surriscaldamento del motore.

6. REGOLAZIONE DEL MANDRINO (VEDI FIG. I)

Per aprire le ganasce del mandrino, ruotare la parte anteriore del mandrino. Inserire la punta del trapano tra le ganasce del mandrino e ruotare la sezione anteriore nella direzione opposta. Assicurarsi che la punta del trapano sia al centro delle ganasce del mandrino. Infine, ruotare saldamente la sezione anteriore del mandrino nelle direzioni opposte. La punta del trapano è ora bloccata nel mandrino.

7. REGOLAZIONE DELLA COPPIA (VEDI FIG. J)

(Vite forza motrice del vostro trapano avvitatore)

La coppia viene regolata ruotando l'anello di regolazione della coppia. La coppia è maggiore quando l'anello di regolazione della coppia è impostato su un'impostazione più alta. La coppia è inferiore quando l'anello di regolazione della coppia è impostato su un'impostazione inferiore.

Eseguire l'impostazione come segue:

1-4	per avvitare piccole viti
5-9	per avvitare viti in materiale morbido
10-14	per avvitare viti in materiale tenero e duro
15-19	per avvitare viti nel legno duro
20	per avvitare viti più grandi
	per perforazioni pesanti

8. UTILIZZO DELLA CLIP DA CINTURA (VEDI FIG. K)

Avvitare la clip da cintura sullo strumento con la vite. La clip da cintura può essere agganciata alla cintura o alla tasca, ecc.

9. USANDO LA LUCE DELLA VISTA

Per accendere la luce, premere l'interruttore on/off e assicurarsi che il controllo di rotazione avanti/indietro sia in posizione destra/

sinistra. Quando si rilascia l'interruttore on/off, la luce si spegne. L'illuminazione a LED aumenta la visibilità, ideale per aree buie o chiuse.

10. FORATURA

Quando fori una superficie dura e liscia, usa un punzone centrale per contrassegnare la posizione del foro desiderata. Ciò impedirà alla punta del trapano di scivolare fuori centro all'inizio del foro. Impugnare saldamente l'utensile e posizionare la punta della punta nel punto da forare.

Premere il grilletto dell'interruttore per avviare lo strumento. Spostare la punta del trapano nel pezzo in lavorazione, applicando una pressione sufficiente a mantenere la punta tagliente. Non forzare o applicare pressione laterale per allungare un foro.

Le punte da trapano in carburo di tungsteno devono essere sempre utilizzate per calcestruzzo e muratura. Quando si fora il metallo, utilizzare solo punte hss in buone condizioni. Utilizzare sempre un portapunte magnetico quando si utilizzano punte per cacciavite corte. Durante l'avvitamento, applicare una piccola quantità di sapone liquido o simile sulla filettatura della vite per facilitare l'inserimento.

11. PROTEZIONE DA SOVRACCARICO

In caso di sovraccarico, il motore si ferma. Scaricare immediatamente il carico sull'utensile e rilasciare l'interruttore di accensione/spegnimento. Riavvia lo strumento normalmente.

12. SOVRACCARICO DIPENDENTE DALLA TEMPERATURA PROTEZIONE

Quando si utilizza come previsto per l'utensile elettrico non può essere soggetto a sovraccarico. Quando il carico è troppo elevato o la temperatura consentita della batteria è troppo elevata, il controllo elettronico spegne l'elettrodotensile fino a quando la temperatura non rientra nuovamente nell'intervallo di temperatura ottimale.

13. SMALTIMENTO DI UN PACCO BATTERIE ESAUSTO



Per preservare le risorse naturali, si prega di riciclare o smaltire correttamente la batteria. Questo pacco batteria contiene batterie al litio. Consultare l'autorità locale per i rifiuti per informazioni sulle opzioni di riciclaggio e/o smaltimento disponibili. Scaricare il pacco batteria azionando il trapano, quindi rimuovere il pacco batteria dall'alloggiamento del trapano e coprire i collegamenti del pacco batteria con nastro adesivo resistente per evitare cortocircuiti e scariche di energia. Non tentare di aprire o rimuovere nessuno dei componenti.

SOLUZIONE AL PROBLEMA

1. PERCHÉ IL TRAPANO NON SI ACCENDE QUANDO SI PREME L'INTERRUTTORE?

Il controllo di rotazione avanti/indietro, che si trova sopra il grilletto, è posizionato nella funzione di blocco. Sbloccare il comando di rotazione avanti/indietro mettendolo nella posizione di rotazione richiesta. Premi il grilletto e il trapano inizierà a ruotare.

2. IL TRAPANO SI FERMA PRIMA CHE LA VITE SIA COMPLETAMENTE SERRATA. PERCHÉ?

Verificare la posizione di coppia dell'anello di regolazione della coppia, è possibile trovare l'anello di regolazione della coppia tra il mandrino e il corpo del trapano. La posizione 1 è la coppia più bassa (forza di azionamento della vite) e la posizione 20 è la coppia più alta (forza di azionamento della vite). La posizione è per l'operazione

di perforazione. Regolare l'anello di regolazione della coppia su una posizione più alta per ottenere il miglior risultato.

3. NON RIESCO AD INSERIRE LA BATTERIA NEL CARICABATTERIA. PERCHÉ?

La batteria può essere inserita nel caricabatteria solo in una direzione. Girare la batteria finché non può essere inserita nello slot.

4. RAGIONI PER I DIVERSI TEMPI DI FUNZIONAMENTO DEL PACCO BATTERIA

I problemi relativi al tempo di ricarica e il mancato utilizzo di un pacco batteria per un tempo prolungato ridurranno il tempo di funzionamento del pacco batteria. Questo può essere corretto dopo diverse operazioni di carica e scarica caricando e lavorando con il trapano. Condizioni di lavoro gravose, come viti di grandi dimensioni nel legno duro, consumeranno l'energia del pacco batteria più velocemente rispetto a condizioni di lavoro più leggere. Non ricaricare la batteria al di sotto di 0°C e al di sopra di 40°C poiché ciò influirà sulle prestazioni.

MANUTENZIONE

Retirer les batteries de la scie avant tout ajustement, entretien ou intervention sur la machine.


L'attrezzo non richiede lubrificazione o manutenzione aggiuntiva. All'interno dell'attrezzo non ci sono parti riparabili da parte dell'utente. Non usare mai acqua o detergenti chimici per pulire l'attrezzo. Pulire con un panno asciutto. Immagazzinare sempre gli attrezzi elettrici in luoghi asciutti. Tenere pulite le aperture di ventilazione del motore. Tenere puliti dalla polvere tutti i controlli operativi. La formazione di scintille all'interno delle aperture di ventilazione, è un fenomeno normale che non crea danni all'attrezzo.

Per gli utensili a batteria

La temperatura ambientale raccomandata per l'uso e la conservazione dell'utensile e della batteria è di 0 °C-45 °C. La temperatura ambientale raccomandata per il caricabatterie durante la carica è di 0 °C-40 °C.

TUTELA AMBIENTALE



I prodotti elettrici non possono essere gettati tra i rifiuti domestici. L'apparecchio da rottamare  deve essere portato al centro di riciclaggio per un corretto trattamento. Controllare con le autorità locali o con il rivenditore per localizzare il centro di riciclaggio più vicino.

DICHIARAZIONE DI CONFORMITÀ

Noi,
POSITEC Germany GmbH
Postfach 32 02 16, 50796 Cologne, Germany

Dichiariamo che l'apparecchio,
Descrizione **Avvitatore a impulsi senza spazzola a batteria**
Codice **WS2388(23- designazione di macchinario, rappresentativo di avvitatore o avvitatore ad impulsi)**
Funzioni **Serraggio e allentamento di viti, dadi**

È conforme alle seguenti direttive,
2006/42/EC
2011/65/EU & (EU)2015/863
2014/30/EU
2014/35/EU
2006/66/EC & 2013/56/EU

Conforme a,
EN 62841-1
EN 62841-2-1
EN 55014-1
EN 55014-2
EN IEC 61000-3-2
EN 61000-3-3
EN 60335-1
EN 60335-2-29
EN 62233
EN 62133-2

Il responsabile autorizzato alla compilazione della documentazione tecnica,

Nome **Marcel Filz**
Indirizzo **POSITEC Germany GmbH**
Postfach 32 02 16, 50796 Cologne, Germany



2023/04/04
Allen Ding




Vice capo ingegnere, testing e certificazione
Positec Technology (China) Co., Ltd
18, Dongwang Road, Suzhou Industrial
Park, Jiangsu 215123, P. R. China

LISTA DE COMPONENTES

1. Portabrocas sin llave
2. Anillo de ajuste de par
3. Control de marchas de dos velocidades
4. Control de rotación de avance/retroceso
5. Mango de agarre suave
6. Paquete de batería
7. Botón de liberación de la batería
8. Luz LED
9. Interruptor de encendido/apagado
10. Presilla para el cinturón

CARACTERÍSTICAS TÉCNICAS

Tipo WS2388 (23 - designación de maquinaria, representante de llave de impacto inalámbrica)

Tensión nominal	18V 
Velocidad nominal sin carga	0-400/1600 /min
Par máximo	30 Nm
Peso de la máquina	1.2 kg
Entrada del cargador (WS9969)	100-240V~50/60Hz, 55W
Salida del cargador (WS9969)	20 V  2.0 A
clase de protección	 /II
Tiempo de carga	1 hr
Capacidad de la batería (WS9970)	2.0 Ah Li-ion

INFORMACIÓN SOBRE EL RUIDO

Nivel de presión acústica ponderada
Nivel de potencia acústica ponderada
 K_{pA} & K_{WA}

Utilice protección auditiva.

$L_{pA} = 70$ dB(A)
 $L_{WA} = 81$ dB(A)
5 dB(A)

INFORMACIÓN SOBRE LAS VIBRACIONES

Valores totales de vibración (suma vectorial triangular) determinados según la norma EN 62841:

Valor de emisión de vibración $a_{hv} = 3.86 \text{ m/s}^2$

Incertidumbre $K = 1.5 \text{ m/s}^2$

El valor total de vibraciones declarado y el valor de emisiones acústicas declarado se han medido de conformidad con un método de prueba estándar y pueden utilizarse para realizar comparaciones entre herramientas.

El valor total de vibraciones declarado y el valor de emisiones acústicas declarado también pueden utilizarse en una evaluación preliminar de la exposición.



ADVERTENCIA: Las vibraciones y las emisiones acústicas que se producen durante el uso de la herramienta eléctrica pueden variar respecto a los valores declarados en función de cómo se utilice la herramienta, especialmente dependiendo del tipo de pieza de trabajo que se procese y de otras formas de usar la herramienta:

Cómo se utiliza la herramienta y se cortan o perforan los materiales.

Si la herramienta se encuentra en buenas condiciones de mantenimiento.

Si se utiliza el accesorio correcto para la herramienta y se garantiza que está afilado y en buenas condiciones.

La firmeza de sujeción de las empuñaduras, y el uso de accesorios para reducir las vibraciones y el ruido.

Y si la herramienta se utiliza según su diseño y estas instrucciones.

Esta herramienta podría causar síndrome de vibración del brazo y la mano si no se utiliza correctamente.



ADVERTENCIA: Para conseguir una mayor precisión, debe tenerse en cuenta una estimación del nivel de exposición en condiciones reales de todas las partes del ciclo de uso, como los tiempos durante los que la herramienta está apagado o cuando está en funcionamiento pero no está realizando ningún trabajo. Ello podría reducir notablemente el nivel de exposición sobre el periodo de carga total. Minimización del riesgo de exposición a las vibraciones y el ruido.

Utilice SIEMPRE cinceles, brocas y cuchillas afiladas.

Mantenga esta herramienta de acuerdo con estas instrucciones y bien lubricada (si es necesario).

Si la herramienta se va a utilizar de forma habitual, se recomienda adquirir accesorios para reducir las vibraciones y el ruido.

Planifique su programa de trabajo para distribuir el uso de la herramienta a lo largo de varios días.

ACCESORIOS

Cargador (WS9969)	1
Batería(WS9970)	1
Pinza de cinturón	1

Recomendamos que adquiera todos sus accesorios en el mismo establecimiento donde compró la herramienta. Consulte los estuches de los accesorios para más detalles. El personal del establecimiento también puede ayudar y aconsejar.

SEGURIDAD DEL PRODUCTO

ADVERTENCIAS DE SEGURIDAD GENERALES

SOBRE HERRAMIENTAS ELÉCTRICAS



ADVERTENCIA: Lea todas las advertencias de seguridad, instrucciones, ilustraciones y especificaciones que acompañan a esta herramienta eléctrica. Si no se respetan todas las instrucciones que se indican abajo, podría producirse una descarga eléctrica, un incendio o alguien podría resultar herido de gravedad.

Conserve todas las advertencias e instrucciones para futuras consultas.

El término "herramienta eléctrica" en todas las advertencias siguientes corresponde a la herramienta eléctrica con o sin cable.

1. ZONA DE TRABAJO

- a) **Mantener su lugar de trabajo limpio y bien iluminado.** Bancos de trabajo desordenados y lugares oscuros invitan a los accidentes.
- b) **No utilizar herramientas eléctricas en atmósferas explosivas, como por ejemplo en presencia de líquidos inflamables, gases o polvo.** Las herramientas eléctricas crean chispas que pueden encender el polvo o los vapores.
- c) **Mantener alejados a los niños y visitantes mientras opera una herramienta eléctrica.** Las distracciones pueden hacerle perder el control.

2. SEGURIDAD ELÉCTRICA

- a) **Los enchufes de la herramienta eléctrica deben encajar perfectamente en el tomacorriente. Nunca modificar el enchufe de ninguna manera. No utilizar adaptadores con herramientas eléctricas conectadas a tierra.** Los enchufes no modificados y los que encajan perfectamente en el tomacorriente reducirán el riesgo de descarga eléctrica.
- b) **Evitar el contacto del cuerpo con superficies conectadas a tierra tales como caños, radiadores, cocinas y heladeras.** Existe un riesgo creciente de descarga eléctrica si su cuerpo queda conectado a tierra.
- c) **No exponer las herramientas eléctricas a la lluvia y no guardar en lugares húmedos.** El agua que penetra en ellas aumentará el riesgo de una descarga eléctrica.
- d) **No abusar del cable. Nunca utilizar el cable para transportar, tirar o desencharlar la herramienta eléctrica. Mantener el cable alejado del calor, del aceite, de bordes agudos o piezas móviles.** Los cables dañados o enredados aumentan el riesgo de descarga eléctrica.
- e) **Cuando utilice su herramienta eléctrica al aire libre, emplear un prolongador apto para uso en exteriores.** El empleo de cables para uso al aire libre reduce el riesgo de descarga eléctrica.
- f) **Si es necesario utilizar la herramienta motorizada en un lugar muy húmedo, utilice una fuente de alimentación con dispositivo de corriente residual (RCD).** El uso de un RCD reduce el riesgo de descarga eléctrica.

3. SEGURIDAD PERSONAL

- a) **Mantenerse alerta, poner atención en lo que está haciendo y utilice el sentido común mientras opera una herramienta eléctrica. No emplear la herramienta cuando se encuentre cansado o bajo la influencia de drogas, alcohol o medicación. Un momento de falta de atención durante el manejo de herramientas eléctricas puede**

dar lugar a daños corporales serios.

- b) **Utilizar equipo de seguridad. Usar siempre protección ocular.** Equipo de seguridad como máscaras contra el polvo, zapatos antideslizantes de seguridad, sombrero o protección auditiva para condiciones apropiadas reducirá daños corporales.
- c) **Evite el arranque accidental. Asegúrese de que el interruptor se encuentra desactivado antes de enchufar la máquina o colocar la batería, al tomar la herramienta o transportarla.** Transportar herramientas con el dedo en el interruptor o enchufar la herramienta cuando el interruptor está encendido invitan a los accidentes.
- d) **Retire llaves de ajuste o llaves inglesas antes de poner la herramienta en funcionamiento.** Una llave que queda unida a una pieza móvil de la herramienta puede originar daños corporales.
- e) **No extralimitarse. Mantenerse firme y con buen equilibrio en todo momento.** Esto permite un mejor control de la herramienta en situaciones inesperadas.
- f) **Vestirse apropiadamente. No usar ropa suelta ni alhajas.** Mantenga el pelo, la ropa y los guantes alejados de las piezas en movimiento. La ropa suelta, las alhajas o el cabello largo pueden ser atrapados por las piezas móviles.
- g) **Si se proporcionan dispositivos para la extracción y recolección de polvo, asegurarse de que estos estén conectados y utilizados correctamente.** El uso de estos dispositivos puede reducir peligros relacionados con el polvo.
- h) **No permita que el hecho de estar familiarizado con el uso de herramientas le haga volverse descuidado o ignorar las normas de seguridad.** La falta de atención puede provocar heridas graves en una fracción de segundo.

4. MANTENIMIENTO DE LA HERRAMIENTA MOTORIZADA

- a) **No forzar la herramienta eléctrica. Utilizar la herramienta eléctrica correcta para su aplicación.** La herramienta eléctrica correcta hará el trabajo mejor y más seguro a la velocidad para la cual fue diseñada.
- b) **No utilizar la herramienta eléctrica si el interruptor no la enciende o apaga.** Cualquier herramienta eléctrica que no pueda ser controlada con el interruptor es peligrosa y debe ser reparada.
- c) **Desconecte la clavija de la fuente de alimentación o extraiga la batería (si es desmontable) de la herramienta eléctrica antes de realizar cualquier ajuste, cambiar los accesorios o guardar la herramienta.** Tales medidas de seguridad preventivas reducen el riesgo de arranque accidental de la herramienta.
- d) **Mantener las herramientas eléctricas que no usa fuera del alcance de los niños y no permita que personas no familiarizadas con la herramienta o con estas instrucciones maneje la herramienta eléctrica.** Las herramientas eléctricas son peligrosas en manos de usuarios inexpertos.
- e) **Realice un mantenimiento adecuado de las herramientas eléctricas y sus accesorios. Comprobar si hay desalineamiento o atascamiento de piezas móviles, rotura de piezas en general y cualquier otra condición que pueda afectar la operación normal de la herramienta.** Si se verifican daños, recurra a un servicio calificado antes de volver a usar la herramienta. Las herramientas mal mantenidas causan muchos accidentes.
- f) **Mantener las piezas de corte limpias y afiladas.** Puesto que son menos probables de atascarse y más fáciles de controlar.

- g) Utilizar la herramienta eléctrica, accesorios y brocas etc., de acuerdo con estas instrucciones y de la manera prevista para el tipo particular de herramienta eléctrica, teniendo en cuenta las condiciones de trabajo y el trabajo a ser realizado. *El uso de la herramienta eléctrica para otras operaciones distintas de lo previsto podría dar lugar a una situación peligrosa.*
- h) Mantenga las empuñaduras y las superficies de agarre secas, limpias y sin aceite ni grasa. *Una empuñadura o una superficie de agarre resbaladiza dificultan la correcta manipulación y el control de la herramienta en situaciones imprevistas.*

5. UTILIZACIÓN Y MANTENIMIENTO DE LA BATERÍA

- a) Recargar solamente con el cargador indicado por el fabricante. *Un cargador adaptado a un tipo de batería podría crear un riesgo de incendio si se utiliza con una diferente batería.*
- b) Utilizar las herramientas eléctricas solamente con baterías especialmente adaptadas. *La utilización de cualquier otra batería podría causar un riesgo de incendio o herida.*
- c) Cuando la batería no está en uso, tenerla lejos de los objetos metálicos como los trombones, las piezas de moneda, las llaves, los clavos, los tornillos, o cualquier otro pequeño objeto metálico susceptibles de establecer una conexión de un terminal a otra. *El cortocircuito de un terminal a otra puede causar quemaduras o un incendio.*
- d) Hay una fuga de líquido de la batería. Evitar todo contacto. Si entre accidentalmente en contacto con este líquido, lavar con agua limpia. En caso de contacto con los ojos, consultar a un médico. *El líquido presente en las baterías puede causar irritaciones o quemaduras.*
- e) No utilice una batería o una herramienta que estén dañadas o hayan sido modificadas. *Las baterías dañadas y modificadas pueden comportarse de forma imprevisible y provocar un incendio, una explosión o herir a alguien.*
- f) No arroje una batería o herramienta al fuego ni las exponga a una temperatura excesiva. *La exposición al fuego y a temperaturas superiores a 130 °C puede provocar una explosión.*
- g) Respete todas las instrucciones de carga y no cargue la batería o la herramienta fuera del rango de temperatura especificado en las instrucciones. *Una carga inadecuada o a una temperatura fuera del rango especificado puede ocasionar daños en la batería y aumentar el riesgo de incendio.*

6. REPARACIÓN

- a) Permitir que el mantenimiento de su herramienta eléctrica sea efectuado por una persona calificada usando solamente piezas de recambio idénticas. *Esto es primordial para mantener la seguridad de la herramienta eléctrica.*
- b) No intente reparar nunca una batería dañada. *Cualquier intervención técnica en una batería debe ser realizada exclusivamente por el fabricante o por un servicio técnico autorizado.*

CONSIGNAS DE SEGURIDAD ESPECÍFICAS

- 1) INSTRUCCIONES DE SEGURIDAD PARA TODAS LAS OPERACIONES
- a) Siempre utilice protección auditiva mientras use el martillo. *Estar expuesto a sonidos fuertes puede causar pérdida de audición.*
- b) Sujete la herramienta eléctrica por las empuñaduras aislantes, al realizar trabajos en los que la herramienta pueda entrar en contacto con una instalación eléctrica oculta. *El contacto de la pieza cortante con un cable de corriente podría cargar de electricidad las piezas metálicas expuestas de la herramienta y provocar una descarga eléctrica al usuario.*
- 2) INSTRUCCIONES DE SEGURIDAD AL USAR BROCAS LARGAS
- a) Nunca opere a una velocidad mayor que la capacidad máxima de velocidad de la broca. A velocidades más altas, es probable que la broca se doble si se permite que gire libremente sin tocar la pieza de trabajo, lo que ocasiona lesiones personales.
- b) Siempre comience a perforar a baja velocidad y con la punta de la broca en contacto con la pieza de trabajo. A velocidades más altas, es probable que la broca se doble si se permite que gire libremente sin tocar la pieza de trabajo, lo que ocasiona lesiones personales.
- c) Aplique presión solo en línea directa con la broca y no aplique presión excesiva. Los bits pueden doblarse causando rotura o pérdida de control, lo que resulta en lesiones personales.

ADVERTENCIAS DE SEGURIDAD PARA LA BATERÍA

- a) No desmonte, abra o destruya las pilas o las baterías recargables.
- b) No provoque un cortocircuito en la batería. No almacene las baterías de forma descuidada en una caja o cajón donde podría provocar un cortocircuito entre ellas o mediante otros objetos metálicos. *Cuando la batería no esté siendo utilizada, manténgala alejada de objetos metálicos, como clips de papel, monedas, llaves, clavos, tornillos u otros objetos metálicos pequeños, que pueden posibilitar la conexión de un borne con otro. Al provocar un cortocircuito con los bornes de la batería se pueden sufrir quemaduras o generar un incendio.*
- c) No exponga las baterías al calor o al fuego. No las guarde expuestas directamente al sol.
- d) No exponga las baterías a impactos mecánicos.
- e) En caso de que la batería tenga fugas de líquido, no permita que el líquido entre en contacto con la piel o los ojos. Si se produce el contacto, lave la zona afectada con grandes cantidades de agua y acuda a un médico.
- f) Mantenga las baterías limpias y secas.
- g) Limpie los bornes de la batería con un paño limpio si se ensucian.
- h) Cargue la batería antes de utilizarla. Consulte siempre estas instrucciones y aplique el procedimiento de carga adecuado.
- i) No deje la batería cargándose durante prolongados períodos de tiempo cuando no se utilice.
- j) Después de prolongados períodos de almacenamiento, puede que sea necesario cargar y descargar la batería

- varias veces para obtener el máximo rendimiento.
- k) **Recargue solo con el cargador indicado por WESCO. No utilice ningún otro cargador que no sea el específicamente proporcionado para el uso con este equipo.**
 - l) **No utilice ninguna batería distinta a la diseñada para utilizarse con el aparato.**
 - m) **Mantenga la batería fuera del alcance de los niños.**
 - n) **Conserve la documentación original del producto por si tuviera que consultarla en otro momento.**
 - o) **Extraiga la batería del aparato cuando no lo utilice.**
 - p) **Deshágase del producto correctamente.**
 - q) **No se deben mezclar pilas de diferentes fabricantes, capacidad, tamaño o tipo en un mismo dispositivo.**
 - r) **Protégela de la batterie des micro-ondes et des hautes pressions.**
 - s) **¡Advertencia! No utilice pilas no recargables.**

ADVERTENCIAS DE SEGURIDAD GENERALES PARA CARGADORES



ADVERTENCIA Lea todas las advertencias de seguridad y todas las instrucciones. El

incumplimiento de cualquiera de las instrucciones o las advertencias, puede tener como resultado una descarga eléctrica, un incendio y/o lesiones graves.

Conserve todas las advertencias y las instrucciones para consultarlas en el futuro.

Este dispositivo puede ser utilizado por niños a partir de 8 años y personas con capacidades físicas, sensoriales o mentales reducidas, o falta de experiencia y conocimiento si se les ha proporcionado supervisión o instrucción con referencia al uso de este dispositivo de manera segura y que entiendan los riesgos involucrados.

Los niños no deben jugar con este aparato. La limpieza y mantenimiento de uso no deben ser llevados a cabo por niños sin supervisión de un adulto.

Si el cable de alimentación está dañado, debe ser reemplazado por el fabricante, su service autorizado o personas calificadas, a fin de evitar riesgos.

INSTRUCCIONES DE SEGURIDAD ADICIONALES PARA SU CARGADOR

1. Antes de cargar la batería, lea las instrucciones.
2. No cargue una batería que presente una fuga.
3. No utilice los cargadores para trabajos para los que no se hayan diseñado.
4. Antes de cargar una batería, asegúrese de que su cargador sea el adecuado para el suministro eléctrico de CA local.
5. Para uso en interiores, no exponer a la lluvia.
6. El dispositivo de carga debe estar protegido de la humedad.
7. No utilice el dispositivo de carga al aire libre.
8. No cortocircuite los contactos de la batería ni del cargador.
9. Respete la polaridad "+/-" a la hora de cargar.
10. No abra la unidad y manténgala fuera del alcance de los niños.
11. No cargue las baterías de otros fabricantes o de modelos que no encajen bien.
12. Asegúrese de que la conexión entre el cargador y la batería sea

correcta y no esté obstruida por cuerpos extraños.

13. Mantenga las ranuras del cargador libres de objetos extraños y protéjalas de la suciedad y la humedad. Guárdela en un lugar seco y sin riesgo de congelación.
14. A la hora de cargar baterías, asegúrese de que el cargador de batería esté en una zona bien ventilada y lejos de materiales inflamables. Las baterías se pueden calentar durante la carga. No sobrecaliente las baterías. Asegúrese de que las baterías y los cargadores no estén sin supervisión durante la carga.
15. No recargue baterías no recargables, ya que pueden sobrecalentarse y romperse.
16. Para lograr una mayor vida útil y un mejor rendimiento, cargue la batería cuando la temperatura ambiente esté entre 18°C y 24°C. No cargue la batería si la temperatura ambiente es inferior a 0°C, o superior a 40°C. Este factor es importante, ya que puede evitar daños graves a la batería.
17. Cargue exclusivamente el pack de batería del mismo modelo que el suministrado por WESCO y de modelos recomendados por WESCO.

SÍMBOLOS



Para reducir el riesgo de lesión, lea el manual de instrucciones



Advertencia



Utilice protección auditiva



Utilizar protección ocular



Utilizar una máscara antipolvo



Uso interno solamente (Cargador)



Leer el manual (Cargador)



Si no se eliminan correctamente, las baterías podrían interferir en el ciclo del agua, una situación que pondría en riesgo el ecosistema. Por este motivo, las baterías no deben eliminarse junto con los residuos municipales sin clasificar.



No quemar



Terminal positivo



Terminal negativo



Batería de iones de litio. Este producto tiene una marca que lo designa para la recogida selectiva, junto con otras pilas y baterías. Una vez recogido, se reciclará o se desmontará con el fin de reducir el impacto en el medioambiente. Las baterías contienen sustancias peligrosas y pueden ser perjudiciales para el medioambiente y para la salud de las personas.



Doble aislamiento (Cargador)



Fusible



Los residuos de aparatos eléctricos y electrónicos no deben depositarse en la basura doméstica. Se deben reciclar en las instalaciones especializadas. Consulte a las autoridades locales o el establecimiento para saber cómo reciclar estos productos.

INSTRUCCIONES DE FUNCIONAMIENTO



NOTA: Antes de usar la herramienta lea el manual de instrucciones detenidamente.

USO INDICADO:

Esta herramienta está diseñada para apretar y aflojar pernos, tuercas y varios sujetadores roscados. Esta herramienta no está diseñada para usarse como taladro.

ANTES DE UTILIZAR

1. CARGAR LA BATERÍA

- No use ningún cargador que no sea el específicamente provisto para usar con el equipo.
- Si la batería está muy caliente, debe retirarla del cargador y dejar que la batería se enfríe antes de recargarla.
- La batería de su nueva herramienta no está cargada cuando sale de la fábrica. Por lo tanto, debe cargar su batería completamente antes de usarlo por primera vez.
- Cargue la batería hasta que esté llena antes de almacenarla. Si la herramienta no se utilizará durante largos periodos de tiempo, cárguela cada 3-6 meses.

PROCEDIMIENTO DE CARGA (VÉASE LA FIG. A1)

- Enchufe el cargador en una toma de corriente apropiada. La luz verde se iluminará.
- Inserte el acumulador en el cargador; la luz del testigo pasará a ser de color rojo para indicar que se ha iniciado el proceso de recarga.
- Una vez completada la recarga, la luz del cargador se volverá otra vez de color verde. La batería estará ahora totalmente recargada. Desenchufe el cargador y retire la batería.

INDICADOR DE CARGA

Este cargador está diseñado para detectar algunos problemas en las baterías. Las luces indicadoras le alertarán de algún problema (vea el cuadro más abajo). De ocurrir esto, inserte una batería nueva para determinar si el cargador está funcionando correctamente. Si la nueva batería se carga correctamente significa que la batería original sufre algún defecto y debe devolverse al servicio técnico o a un punto de recogida de artículos reciclables. Si se observan los mismos problemas con la batería nueva, entregue el cargador en un

servicio técnico autorizado para que la prueben.

Luz	Estado
Rojo encendido	Cargando
Verde encendido	Batería totalmente cargada



ADVERTENCIA: Si se agota la carga de la batería debido al uso continuado o la exposición a la luz solar directa o el calor, Deje tiempo suficiente para que la batería se enfríe antes de cargarla de nuevo para que se cargue al máximo.

COMPROBACIÓN DEL ESTADO DE ENERGÍA DEL PAQUETE DE BATERÍAS (VER FIG. A2)

El nivel de la batería se puede conocer a partir de la luz indicadora de la batería presionando el botón al lado de las luces.

2. EXTRAER O INSTALAR EL PACK DE BATERÍA (VÉASE LA FIG. B1, B2)

Presione el cierre de la batería y extraiga la batería del taladro. Después de volver a cargarla, instale la batería en el puerto de batería del taladro. Sólo necesitará presionar ligeramente para fijarla.

OPERACIÓN

1. INTERRUPTOR DE ENCENDIDO/APAGADO (VER FIG. C)

Oprima el interruptor de encendido/apagado para comenzar y suéltelo para detener su taladro.

El interruptor de encendido/apagado está equipado con una función de freno que detiene el mandril inmediatamente cuando suelta rápidamente el interruptor.

También es un interruptor de velocidad variable que ofrece una mayor velocidad y par con una mayor presión del gatillo. La velocidad es controlada por la cantidad de presión del gatillo del interruptor.



ADVERTENCIA: No opere durante periodos prolongados a baja velocidad porque se producirá un exceso de calor internamente. Cuando ocurra una sobrecarga, suelte el interruptor de encendido/apagado inmediatamente para evitar el sobrecalentamiento del motor.

2. INTERRUPTOR DE BLOQUEO (VER FIG. D)

El gatillo del interruptor se puede bloquear en la posición APAGADO. Esto ayuda a reducir la posibilidad de un arranque accidental cuando no está en uso. Para bloquear el gatillo del interruptor, coloque el control de rotación de avance/retroceso en la posición central.

3. BLOQUEO DEL INTERRUPTOR

El interruptor de encendido/apagado se puede bloquear en la posición APAGADO. Esto ayuda a reducir la posibilidad de un arranque accidental cuando no está en uso. Para bloquear el interruptor de encendido/apagado, coloque el selector de dirección de rotación en la posición central.

4. CONTROL DE ROTACIÓN DE AVANCE/RETROCESO (VER FIG. E, F)

Para la rotación hacia adelante, (con el mandril apuntando lejos de usted) mueva el control de rotación hacia la izquierda.

Para la rotación inversa, (con el mandril apuntando lejos de usted) mueva el control de rotación hacia la derecha.



ADVERTENCIA: ¡Nunca cambie la dirección de rotación cuando el mandril esté girando, espere hasta que se haya detenido!

5. CONTROL DE ENGRANAJES DE DOS VELOCIDADES (VER FIG. G, H)

El taladro tiene un control de engranaje de dos velocidades diseñado para taladrar o conducir a velocidades BAJAS (la marca es 1) o ALTAS (la marca es 2). Un interruptor deslizante se encuentra en la parte superior del taladro para seleccionar la velocidad BAJA o ALTA. Cuando utilice el taladro en el rango de velocidad LO, la velocidad disminuirá y el taladro tendrá mayor potencia y torsión. Cuando utilice el taladro en el rango de velocidad ALTO, la velocidad aumentará y el taladro tendrá menos potencia y torsión.

Engranaje I

Rango de baja velocidad: para atornillar o trabajar con gran diámetro de perforación.

Engranaje II

Rango de alta velocidad: para trabajar con diámetro de perforación pequeño.

mueva el control de rotación a la derecha.



ADVERTENCIA: Cuando la sobrecarga ocurre con frecuencia en el engranaje de alta velocidad, cambie al engranaje de baja velocidad para evitar el sobrecalentamiento del motor.

6. AJUSTE DEL MANDRIL (VER FIG. I)


Para abrir las mordazas del mandril, gire la sección frontal del mandril. Inserte la broca entre las mordazas del mandril y gire la sección frontal en la dirección opuesta. Asegúrese de que la broca esté en el centro de las mordazas del mandril. Finalmente, gire con firmeza la sección del mandril delantero en direcciones opuestas. Su broca ahora está sujeta en el mandril.

7. AJUSTE DE TORQUE (VER FIG. J)

(Fuerza motriz del tornillo de su taladro)

El par se ajusta girando el anillo de ajuste del par. El torque es mayor cuando el anillo de ajuste de torque se establece en una configuración más alta. El torque es menor cuando el anillo de ajuste de torque se establece en una configuración más baja.

Realice la configuración de la siguiente manera:

1-4	para atornillar pequeños tornillos
5-9	para clavar tornillos en material blando
10-14	para clavar tornillos en materiales blandos y duros
15-19	para clavar tornillos en madera dura
20	para atornillar tornillos más grandes
	para perforación pesada

8. USO DEL CLIP PARA CINTURÓN (VER FIG. K)

Atornille el clip de cinturón en la herramienta con el tornillo. El clip para cinturón se puede enganchar en su cinturón o bolsillo, etc.

9. USO DE LA LUZ DE MIRA

Para encender la luz, presione el interruptor de encendido/apagado y asegúrese de que el control de rotación de avance/

retroceso esté en la posición derecha/izquierda. Cuando suelte el interruptor de encendido/apagado, la luz se apagará.

La iluminación LED aumenta la visibilidad, ideal para áreas oscuras o cerradas.

10. PERFORACIÓN

Cuando perforo en una superficie dura y lisa, use un punzón para marcar la ubicación deseada del orificio. Esto evitará que la broca se deslice fuera del centro cuando se inicie el orificio.

Sostenga la herramienta firmemente y coloque la punta de la broca en el punto a perforar.

Oprima el gatillo del interruptor para poner en marcha la herramienta.

Mueva la broca hacia la pieza de trabajo, aplicando solo la presión suficiente para que la broca siga cortando. No fuerce ni aplique presión lateral para alargar un orificio.

Siempre se deben usar brocas de carburo de tungsteno para concreto y mampostería. Al taladrar en metal, utilice únicamente brocas HSS en buen estado. Utilice siempre un portapuntas magnético cuando utilice puntas de destornillador cortas. Al atornillar, aplique una pequeña cantidad de jabón líquido o similar en las rosas de los tornillos para facilitar la inserción.

11. PROTECCIÓN DE SOBRECARGA

Cuando se sobrecarga, el motor se detiene. Libere la carga de la herramienta inmediatamente y suelte el interruptor de encendido/apagado. Reinicie la herramienta normalmente.

12. SOBRECARGA DEPENDIENTE DE LA TEMPERATURA PROTECCION

Cuando se usa según lo previsto, la herramienta eléctrica no puede estar sujeta a sobrecarga. Cuando la carga es demasiado alta o la temperatura permitida de la batería es demasiado alta, el control electrónico apaga la herramienta eléctrica hasta que la temperatura vuelve a estar en el rango de temperatura óptimo.

13. ELIMINACIÓN DE UNA BATERÍA AGOTADA



Para preservar los recursos naturales, recicle o deseche la batería de manera adecuada. Este paquete de baterías contiene baterías de litio. Consulte a su autoridad local de residuos para obtener información sobre las opciones de reciclaje y/o eliminación disponibles. Descargue su paquete de baterías haciendo funcionar su taladro, luego retire el paquete de baterías de la carcasa del taladro y cubra las conexiones del paquete de baterías con cinta adhesiva resistente para evitar cortocircuitos y descargas de energía. No intente abrir o quitar ninguno de los componentes.

SOLUCIÓN DEL PROBLEMA

1. ¿POR QUÉ EL TALADRO NO ENCIENDE CUANDO PRESIONA EL INTERRUPTOR?

El control de rotación de avance/retroceso, que se encuentra en la parte superior del gatillo, se encuentra en la función de bloqueo. Desbloquee el control de rotación de avance/retroceso colocándolo en la posición de rotación requerida. Presione el gatillo y el taladro comenzará a girar.

2. EL TALADRO SE DETIENE ANTES DE QUE EL TORNILLO ESTÉ COMPLETAMENTE APRETADO. ¿POR QUÉ?

Verifique la posición de torque del anillo de ajuste de torque, puede encontrar el anillo de ajuste de torque entre el mandril y el cuerpo del taladro. La posición 1 es el par más bajo (fuerza

de accionamiento del tornillo) y la posición 20 es el par más alto (fuerza de accionamiento del tornillo). La posición 2 es para la operación de perforación. Regule el anillo de ajuste de torque a una posición más alta para alcanzar el mejor resultado.

3. NO PUEDO COLOCAR LA BATERÍA EN EL CARGADOR DE BATERÍA. ¿POR QUÉ?

La batería se puede insertar en el cargador solo en una dirección. Gire la batería hasta que pueda insertarse en la ranura.

4. RAZONES PARA LOS DIFERENTES TIEMPOS DE TRABAJO DEL PAQUETE DE BATERÍAS

Los problemas de tiempo de carga y el hecho de no haber utilizado una batería durante un tiempo prolongado reducirán el tiempo de funcionamiento de la batería. Esto se puede corregir después de varias operaciones de carga y descarga cargando y trabajando con su taladro. Las condiciones de trabajo pesadas, como tornillos grandes en madera dura, consumirán la energía del paquete de baterías más rápido que las condiciones de trabajo más livianas. No recargue su paquete de baterías por debajo de 0°C y por encima de 40°C ya que esto afectará el rendimiento.

MANTENIMIENTO

Retire el pack de batería del taladro antes de realizar ajustes.

Su herramienta eléctrica no requiere de lubricación ni mantenimiento adicional.

No posee piezas en su interior que deban ser reparadas por el usuario. Nunca emplee agua o productos químicos para limpiar su herramienta. Use simplemente un paño seco. Guarde siempre su herramienta en un lugar seco. Mantenga limpias las ranuras de ventilación del motor. Mantenga todos los controles de funcionamiento libres de polvo. La observación de chispas que destellan bajo las ranuras de ventilación indica un funcionamiento normal que no dañará su herramienta.

Para las herramientas a batería

El rango de temperatura ambiente de funcionamiento y almacenamiento para la herramienta y la batería es de 0°C-45°C. El rango de temperatura ambiente recomendado para el Sistema de carga durante el proceso de carga es de 0°C-40°C.

PROTECCION AMBIENTAL



Los residuos de aparatos eléctricos y electrónicos no deben depositarse en la basura doméstica. Se deben reciclar en las instalaciones especializadas. Consulte a las autoridades locales o el establecimiento para saber cómo reciclar estos productos.

ECLARACIÓN DE CONFORMIDAD

Los que reciben,
POSITEC Germany GmbH
Postfach 32 02 16, 50796 Cologne, Germany

Declaran que el producto,
Descripción **Llave de impacto inalámbrica sin escobillas**
Modelo **WS2388 (23- designación de maquinaria,**
representante de destornillador o llave de impacto
Funciones **Apretar y aflojar tornillos, tuercas**

Cumple con las siguientes Directivas :

2006/42/EC
2011/65/EU & (EU)2015/863
2014/30/EU
2014/35/EU
2006/66/EC & 2013/56/EU

Cumple las normativas

EN 62841-1
EN 62841-2-1
EN 55014-1
EN 55014-2
EN IEC 61000-3-2
EN 61000-3-3
EN 60335-1
EN 60335-2-29
EN 62233
EN 62133-2

La persona autorizada para componer el archivo técnico,

Nombre Marcel Filz
Dirección POSITEC Germany GmbH
Postfach 32 02 16, 50796 Cologne, Germany



2023/04/04

Allen Ding

Ingeniero Jefe Adjunto. Pruebas y Certificación
Positec Technology (China) Co., Ltd
18, Dongwang Road, Suzhou Industrial
Park, Jiangsu 215123, P. R. China

СПИСЪК НА КОМПОНЕНТИТЕ

1. Безключов патронник
2. Пръстен за регулиране на въртящия момент
3. Двускоростно управление на скоростите
4. Контрол на въртенето напред/назад
5. Мека дръжка
6. Батериен пакет
7. Бутон за освобождаване на батерията
8. LED светлина
9. Ключ за включване/изключване
10. Щипка за колан

ТЕХНИЧЕСКИ ДАННИ

Тип WS2388 (23 - обозначение на машината, представител на акумулаторна бормашина)

Номинално напрежение	18V \equiv
Номинална скорост на празен ход	0-400/1600 /min
Максимален въртящ момент	30 Nm
Тегло на машината	1.2 kg
Вход за зарядно устройство (WS9969)	100-240V~50/60Hz, 55W
Изход за зарядно устройство (WS9969)	20 V \equiv 2.0 A
Клас на защита	\square /II
Време за зареждане	1 hr
Капацитет на батерията (WS9970)	2.0 Ah Li-ion

ИНФОРМАЦИЯ ЗА ШУМА

Претеглено звуково налягане

Претеглена звукова мощност

K_{pA} & K_{WA}

Носете антифони 

$L_{pA} = 70$ dB(A)

$L_{WA} = 81$ dB(A)

5 dB(A)

ИНФОРМАЦИЯ ЗА ВИБРАЦИИТЕ

Обща стойност на вибрациите (триаксиална векторна сума), определена според БДС EN 62841:

Стойност на вибрационните емисии:	$a_n = 3,86 \text{ m/c}^2$
	Неопределеност $K = 1.5 \text{ m/c}^2$

Декларираната обща стойност на вибрациите и декларираната стойност на емисиите на шум са измерени в съответствие със стандартен метод за изпитване и могат да се използват за сравняване на един инструмент с друг.

Декларираната обща стойност на вибрациите и декларираната стойност на емисиите на шум могат също да се използват при предварителна оценка на експозицията.



ПРЕДУПРЕЖДЕНИЕ: Стойността на вибрационната емисия по време на реалната експлоатация на електрическия инструмент може да се различава от декларираната стойност в зависимост от начините, по които се използва инструментът според следните примери и други варианти на употреба на инструмента:

Как се използва инструментът и какви материали се режат.

Добро състояние и правилна поддръжка на инструмента.

Използване на правилните аксесоари за инструмента и поддържането му остър и в добро състояние.

Стегнат захват на ръкохватките и използване на антивибрационни аксесоари. Употреба на инструмента според дизайна му и тези инструкции.

Този инструмент може да предизвика синдром на вибрация „ръка-рамо“, ако употребата му не се управлява адекватно.



ПРЕДУПРЕЖДЕНИЕ: За да бъдем точни, е необходимо също да се вземе предвид оценката на нивото на експозиция в реалните условия на експлоатация за всички части на работния цикъл, като например времето, през което инструментът е изключен и когато работи на празен ход без реално да извършва работа.

Това може значително да намали нивото на експозиция през общия работен период.

Как да намалите риска от експозиция на вибрации.

Грижете се за инструмента според тези инструкции и го поддържайте смазан (където е приложимо).

Ако инструментът ще се използва редовно, инвестирайте в антивибрационни аксесоари.


Планирайте работния си график, за да разпределите употребата на високовибрационни инструменти в няколко отделни дни.

АКСЕСОАРИ

Зарядно устройство (WS9969)	1
Батерия (WS9970)	1
Щипка за колан	1

Препоръчваме ви да закупвате вашите аксесоари от същия магазин, от който сте закупили инструмента. Направете справка с опаковката за аксесоари за повече подробности. Персоналът в магазина може да ви съдейства и да ви предложи съвет.

ПРЕДУПРЕЖДЕНИЯ ЗА БЕЗОПАСНОСТ НА ЕЛЕКТРИЧЕСКИ ИНСТРУМЕНТИ

 **ПРЕДУПРЕЖДЕНИЕ** Прочетете всички предупреждения за безопасност, инструкции, илюстрации и спецификации, предоставени с този електроинструмент. Неспазването на всички посочени инструкции може да доведе до токов удар, пожар и/или сериозно нараняване.

Запазете всички предупреждения и инструкции за бъдеща справка.

Терминът „електроинструмент“ в предупрежденията се отнася за вашите електроинструменти, захранвани от мрежата (с кабел) или за електроинструментите, работещи с батерия (без кабел).

1) БЕЗОПАСНОСТ НА РАБОТНОТО МЯСТО

- a) **Поддържайте работното място чисто и добре осветено.** Разхвърляните или тъмни места предизвикват инциденти.
- b) **Не работете с електроинструменти в експлозивни атмосфери, като например при наличие на запалими течности, газове или прах.**
Електроинструментите произвеждат искри, които могат да запалят прах или изпарения.
- c) **Децата и наблюдателите трябва да стоят настрана, докато работите с електроинструмента.** Разсейването може да доведе до загуба на контрол.

2) ЕЛЕКТРИЧЕСКА БЕЗОПАСНОСТ

- a) **Щепселите на електроинструментите трябва да съответстват на контактите. Никога не модифицирайте щепсела по никакъв начин. Не използвайте никакви адаптерни щепсели със заземени електроинструменти.**
Немодифицираните щепсели и подходящите контакти ще намалят риска от токов удар.
 - b) **Избягвайте контакт на тялото със заземени повърхности, като тръби, радиатори, кухненски печки и хладилници.** Съществува повишен риск от токов удар, ако тялото ви бъде заземено.
 - c) **Не излагайте електроинструментите на дъжд или влажни условия.** Водата, навлизаща в електроинструмента, ще увеличи риска от токов удар.
 - d) **Не повреждайте кабела. Никога не използвайте кабела, за да носите, дърпате или изключвате електроинструмента. Дръжте кабела далеч от топлина, масло, остри ръбове или движещи се части.** Повредените или заплетени кабели повишават риска от токов удар.
 - e) **Когато работите с електроинструмент**
на открито, използвайте удължителен кабел, подходящ за употреба на открито. Употребата на кабел, подходящ за употреба на открито, намалява риска от токов удар.
 - f) **Ако е наложително да работите с електроинструмента във влажно място, използвайте защитно захранване с дефектнотокова защита (ДТЗ).**
Използването на ДТЗ намалява риска от токов удар.
- 3) **ЛИЧНА БЕЗОПАСНОСТ**
 - a) **Бъдете нащрек, внимавайте какво правите и използвайте здравия си разум, когато работите с електроинструмент. Не използвайте електроинструмент, когато сте изморени или под влияние на наркотици, алкохол или лекарства.**
Момент невнимание при работа с електроинструмент може да доведе до сериозни наранявания.
 - b) **Използвайте лични предпазни средства. Винаги носете защитни очила.** Предпазните средства като прахова маска, предпазни обувки против пързаяне, каска или антифони, използвани за подходящите условия, ще намалят нараняванията.
 - c) **Предотвратяване на неволно стартиране.** Уверете се, че превключвателят е в позиция изкл. (off), преди свързване към източник на захранване и/или батериен пакет, вземане или носене на инструмента. Носенето на електроинструменти с пръст върху превключвателя или енергиизирането им при натиснат превключвател може да доведе до злополуки.
 - d) **Отстранете всеки регулиращ ключ или гаечен ключ преди да включите инструмента.** Гаечен ключ или друг ключ, прикрепен към въртяща се част на електроинструмента, може да доведе до наранявания.
 - e) **Не дръжте инструмента твърде далече. Непрекъснато спазвайте подходящо положение и баланс.** Това спомага за по-доброто управление на електроинструмента в непредвидени ситуации.
 - f) **Носете подходящо облекло. Не носете широки дрехи или бижута.** Дръжте косата и дрехите си далеч от движещите се части. Широките дрехи, бижута или дългата коса могат да бъдат захванати от движещите се части.
 - g) **Ако са осигурени устройства за свързване на уреди за извличане и събиране на прах, уверете се, че те са свързани и се използват правилно.**
Използването на прахоуловители може да намали опасностите, свързани с праха.
 - h) **Не позволявайте познаването, придобито от честата употреба на**

инструменти, да ви позволи да изгубите бдителността си и да игнорирате принципите за безопасност на инструментите. *Небрежно действие може да причини тежки наранявания в рамките на части от секундата.*

4) ИЗПОЛЗВАНЕ И ГРИЖА ЗА ЕЛЕКТРОИНСТРУМЕНТА

a) Не претоварвайте електроинструмента.

Използвайте правилния електроинструмент за вашите нужди. *Правилният електроинструмент ще съзри работата по-добре и по-безопасно при скоростта, за която е проектиран.*

b) Не използвайте електроинструмента, ако преключателят не го включва и изключва. *Всеки електроинструмент, който не може да се управлява с преключателя, е опасен и трябва да бъде ремонтиран.*

c) Изключете щепсела от източника на захранване и / или извадете батерийния пакет, ако се разглобява, от електроинструмента, преди да направите каквито и да е настройки, да смените аксесоарите или да съхранявате електроинструментите. *Подобни превантивни предпазни мерки намаляват риска от включване на електроинструмента по невнимание.*

d) Съхранявайте електроинструментите на място, недостъпно за деца, и не позволявайте на лица, които не са запознати с електроинструмента или с тези инструкции, да работят с електроинструмента. *Електроинструментите са опасни в ръцете на необучени потребители.*

e) Грижете се за електроинструментите и аксесоарите. Проверявайте за неправилно подравняване или свързване на движещите се части, счупване на части и всякакви други състояния, които могат да повлияят на работата на електроинструмента. *При повреда, ремонтирайте инструмента преди употреба. Много злополуки са причинени от лошо поддържани електроинструменти.*

f) Поддържайте режещите инструменти остри и чисти. *Правилно поддържаните режещи инструменти с остри режещи ръбове е по-малко вероятно да засичат при работа и са по-лесни за управление.*

g) Използвайте електроинструментите, аксесоарите и резците според настоящите инструкции, като отчитате условията на работа и работата, която ще се извършва. *Употребата на електроинструмента за операции, различни от тези, за които е предначинан, може да доведе до опасни ситуации.*

h) Пазете дръжките и захващащите повърхности сухи, чисти и без мазехи от масло и смазка. *Хлъзгавите дръжки и захващащи повърхности не позволяват*

безопасна работа и контрол на инструментата при неочаквани ситуации.

5) ИЗПОЛЗВАНЕ И ГРИЖА ЗА БАТЕРИЯТА

a) Зареждайте само със зарядното устройство, посочено от производителя. *Зарядно устройство, което е подходящо за един вид батерияен пакет, може да създаде риск от пожар, когато се използва с друг батерияен пакет.*

b) Използвайте електроинструментите само с батерийния пакет, проектиран за тях. *Употребата на всякакви други батерийни пакети може да създаде риск от нараняване и огън.*

c) Когато батерийният пакет не се използва, го съхранявайте далече от други метални предмети, като кламери, монети, ключове, гвоздеи, отвертки или други малки метални предмети, които биха могли да направят връзка между двете клеми. *Свързването на клемите на батерията може да предизвика експлозия или пожар.*

d) При неправилна експлоатация е възможно от батерията да изтече течност; избягвайте контакт. *Ако случайно възникне контакт, изплакнете с вода. Ако течността влезе в досег с очите, потърсете допълнителна медицинска помощ.*

Течността, изтекла от батерията, може да причини дразнене или изгаряния.

e) Не използвайте батерияен пакет или инструмент, който е повреден или модифициран. *Повредените или модифицирани батерии могат да проявят непредвидимо поведение, което да доведе до пожар, експлозия или риск от нараняване.*

f) Не излагайте батерийния пакет или инструмент на огън или прекомерна температура. *Излагането на огън или температура над 130 °C може да причини експлозия.*

g) Следвайте всички инструкции за зареждане и не зареждайте батерията или инструмента извън температурния диапазон, посочен в инструкциите. *Неправилното зареждане или зареждане при температури извън посочения диапазон може да повреди батерията и да увеличи риска от пожар.*

6) ОБСЛУЖВАНЕ

a) Вашият електроинструмент трябва да се обслужва от квалифицирано лице, което използва само оригинални резервни части. *Това ще гарантира запазването на безопасността на електроинструмента.*

b) Никога не обслужвайте повредени батерийни пакети. *Обслужването на батерийните пакети трябва да се извършва само от производителя или оторизирани доставчици на услуги.*

ПРЕДУПРЕЖДЕНИЯ ЗА БЕЗОПАСНОСТ НА СОРМАТИРАНЕТО

- 1) **ИНСТРУКЦИИ ЗА БЕЗОПАСНОСТ ЗА ВСИЧКИ ОПЕРАЦИИ**
- a) Носете протектори за уши, когато пробивате с удар. *Излагане на шумът може да причини загуба на слуха.*
- b) Дръжте електроинструмента за изолирани повърхности за захващане, когато извършване на операция, при която режещият аксесоар или крепежните елементи могат да докоснат скрито окабеляване. *Режещ аксесоар или крепежни елементи, които контактуват с проводник под напрежение, могат да направят изложен метал части от електроинструмента „живеят“ и могат да дадат на оператора сигнал токов удар.*
- 2) **ИНСТРУКЦИИ ЗА БЕЗОПАСНОСТ ПРИ ИЗПОЛЗВАНЕ НА ДЪЛЪГ СВОРДОНА**
- a) Никога не работете със скорост, по-висока от максималната скорост рейтинг на свредлото. *При по-високи скорости има вероятност свредлото да се огъне ако се остави да се върти свободно без контакт с детайла, което води до лично нараняване.*
- b) Винаги започвайте да пробивате с ниска скорост и с върха на свредлото навътре контакт с детайла. *При по-високи скорости бита е има вероятност да се огъне, ако се остави да се върти свободно без контакт с детайл, което води до нараняване.*
- c) Прилагайте натиск само в права линия със свредлото и не го правете прилагайте прекомерен натиск. *Битовите могат да се огънат, причинявайки счупване или загуба на контрол, което води до лично нараняване.*

ПРЕДУПРЕЖДЕНИЯ ЗА БЕЗОПАСНОСТ ЗА БАТЕРИЙНИЯ ПАКЕТ

- a) Не демонтирайте, не отваряйте и не разкъсвайте батерийния пакет.
- b) Не свързвайте батерийния пакет на късо. Не съхранявайте батерийните пакети небрежно в кутия или чекмедже, където могат да се свържат накъсо помежду си или да се свържат накъсо с проводими материали. *Когато батерийният пакет не се използва, го съхранявайте далеч от други метални предмети, като кламери, монети, ключове, пирони, винтове или други малки метални*

предмети, които могат да направят връзка между двете клемми. Свързването на клемите на батерията може да предизвика експлозия или пожар.

- c) Не излагайте батерийния пакет на топлина или огън. Избягвайте съхранение под пряка слънчева светлина.
- d) Не излагайте батерийния пакет на механични удари.
- e) В случай на протичане на батерията, не позволявайте течността да влезе в контакт с кожата или очите. Ако това се случи, изплакнете засегнатата област обилно с вода и потърсете медицинска помощ.
- f) Пазете батерийния пакет чист и сух.
- g) Ако клемите на батерийния пакет бъдат замърсени, ги почистете с чиста суха кърпа.
- h) Батерийният пакет трябва да бъде зареден преди употреба. Винаги правете справка с тази инструкция и прилагайте правилната процедура за зареждане.
- i) Не зареждайте батерийния пакет, когато няма да се използва.
- j) След продължителни периоди на съхранение може да се наложи да заредите и разреждете батерийния пакет няколко пъти, за да постигнете оптимални резултати.
- k) Зареждайте само със зарядното устройство, посочено от WESCO. Не използвайте зарядно, различно от предоставеното за употреба с оборудването.
- l) Не използвайте батериен пакет, който не е проектиран за използване с оборудването.
- m) Съхранявайте батерийния пакет далеч от достъпа на деца.
- n) Запазете оригиналната литература за продукта за бъдещи справки.
- o) Извадете батерията от оборудването, когато не го използвате.
- p) Изхвърляйте според изискванията.
- q) Не смесвайте батерии от различни производители, капацитет, размер или вид в едно и също устройство.
- r) Дръжте батерията далеч от микровълни и високо налягане.
- s) Предупреждение! Не използвайте неаккумуляторни батерии.

ОБЩИ ПРЕДУПРЕЖДЕНИЯ ЗА БЕЗОПАСНОСТ ЗА ЗАРЯДНО ЗА БАТЕРИЯ



ПРЕДУПРЕЖДЕНИЕ! Прочетете

всички предупреждения за безопасност и всички инструкции. *Неспазването на това предупреждение и инструкциите може да доведе до токов удар, пожар и / или сериозни наранявания.*

Запазете всички предупреждения и инструкции за бъдеща справка.

- Този уред не е предназначен за използване от лица (включително деца) с намалени физически, сетивни или умствени способности или с липса на опит и познания, освен ако не са били наблюдавани или инструктирани относно използването на уреда от лице, отговорно за тяхната безопасност.
- Децата трябва да бъдат наблюдавани, за да се гарантира, че няма да играят с уреда. Ако хранващият кабел бъде повреден, той трябва да бъде подменен от производителя, от обслужващия го представител или от друго компетентно лице с цел избягване на опасности.

ДОПЪЛНИТЕЛНИ ИНСТРУКЦИИ ЗА БЕЗОПАСНОСТ ПРИ РАБОТА С ВАШЕТО ЗАРЯДНО УСТРОЙСТВО ЗА БАТЕРИИ

1. Прочетете тези инструкции преди да започнете да зареждате.
2. Не зареждайте протекла батерия.
3. Не използвайте зарядни устройства за цели различни от тези, за които са предвидени.
4. Преди презареждане се уверете, че вашето зарядно отговаря на местното електрозахранване.
5. За употреба на закрито, не излагайте на дъжд.
6. Зарядното устройство трябва да бъде защитено от влага.
7. Не използвайте устройството за зареждане на открито.
8. Не свързвайте някъсо контактите на батерията или зарядното устройство.
9. Спазвайте поляритета „+/-“, когато зареждате.
10. Не отваряйте уреда и го дръжте на място, недостъпно за деца.
11. Не зареждайте батерии на други производители или неподходящи модели.
12. Уверете се, че връзката между зарядното устройство за батерии и батерията е правилно разположена и не е възпрепятствана от други чужди тела.
13. Пазете слотовете на зарядното устройство без чужди предмети и ги предпазвайте от замърсяване и влага. Съхранявайте на сухо

място, без опасност от замръзване.

14. Когато зареждате батериите, се уверете, че зарядното устройство се намира в добре проветриво място и далече от запалими материали. Батериите могат да станат горещи при зареждане. Не BG 25 презареждайте прекомерно батериите. Уверете се, че батериите и зарядните не са оставени без надзор по време на зареждане.
15. Не презареждайте непрезарждащи се батерии, тъй като те могат да прегреят и да се пръснат.
16. Ако батерияният пакет се зарежда при температура на въздуха между 18 °C и 24 °C, това ще му осигури по-дълъг живот и по-добра работа. Не зареждайте батерията опакованите при температури на въздуха под 0 °C или над 40 °C. Това е важно, тъй като може да предотврати сериозни повреди на батерияния пакет.
17. Зареждайте само батерияни пакети от същия модел, предвиден от WESCO и от модели, препоръчани от WESCO.

СИМВОЛИ



За да се намали рискът от наранявания, потребителят трябва да прочете ръководството за инструкции.



Предупреждение



Używać ochrony słuchu



Używać ochrony wzroku



Używać maski przeciwpyłowej



Само за вътрешна употреба (само за зарядно)



Прочетете ръководството за експлоатация.



Батериите могат да попаднат в кръговрата на водата, ако бъдат изхвърлени неправилно, което може да бъде опасно за екосистемата. Не изхвърляйте отработени батерии като несортиран битов отпадък.



Не запалвайте



Положителна клемма



Отрицателна клемма



Литиево-йонна батерия Този продукт е маркиран със символ, свързан с „разделно събиране“ за всички батерийни пакети и батерийен пакет. След това ще бъде рециклиран или демонтиран, за да се намали въздействието върху околната среда. Батерийните пакети могат да бъдат опасни за околната среда и човешкото здраве, тъй като съдържат опасни вещества.



Двойна изолация (само за зарядно)



Предпазител



Отпадъчните електрически продукти не трябва да се изхвърлят заедно с битовите отпадъци. Моля, рециклирайте там, където има съоръжения. Обърнете се към местните власти или търговец за съвет относно рециклирането.

ИНСТРУКЦИИ ЗА РАБОТА



ЗАБЕЛЕЖКА: Преди да използвате инструмента, прочетете книжката с инструкциите внимателно.

Предназначение:

Този инструмент е предназначен за закрепване и разхлабване на болтове, гайки и различни крепежни елементи с резба. Този инструмент не е предназначен за използване като бормашина.

ПРЕДИ ОПЕРАЦИЯ

1. ЗАРЕЖДАНЕ НА БАТЕРИЯТА

- Не използвайте зарядно устройство, различно от това, което е специално предоставено за употреба с оборудването.
- Ако батерията е много гореща, трябва да извадите батерията от зарядното устройство и да оставите батерията да се охлади, преди да я презаредите.
- Батерията във вашия нов инструмент не е заредена, когато напусне завода. Следователно той трябва да бъде напълно зареден, преди да го използвате за първи път.
- Моля, заредете батерията до пълно или не по-малко от половин заряд преди съхранение. Ако инструментът няма да се използва за дълги периоди от време, зареждайте батерията на всеки 3-6 месеца.

ПРОЦЕДУРА НА ЗАРЕЖДАНЕ (ВИЖТЕ ФИГ. A1)

- Включете зарядното устройство в подходящ контакт. Светлината ще свети зелено.
- Плъзнете батерията в зарядното устройство, светлината ще светне в червено, за да покаже, че процесът на зареждане е започнал.
- Когато зареждането приключи, светлината ще светне в зелено. Пакетът вече е напълно зареден, изключете зарядното устройство и извадете пакета батерии.

ИНДИКАТОР ЗА ЗАРЕЖДАНЕ

Това зарядно устройство е проектирано да открива някои проблеми, които могат да възникнат с батерии. Светлинните индикатори показват проблеми (вижте таблицата по-долу). Ако това се случи, поставете нова батерия, за да определите дали зарядното устройство е наред. Ако новата батерия се зарежда правилно, тогава оригиналната опаковка е дефектна и трябва да бъде върната в сервизен център или център за рециклиране. Ако новият пакет батерии показва същия проблем като оригиналния пакет батерии, дайте зарядното устройство да бъде тествано в оторизиран сервизен център.

Светлина	Статус
Включено червено 	Зареждане
Зелено включено 	Напълно зареден



ПРЕДУПРЕЖДЕНИЕ: Когато зарядът на батерията се изтощи след продължителна употреба или излагане на пряка слънчева светлина или топлина, оставете инструмента да се охлади преди повторно зареждане, за да постигнете пълно зареждане.

Проверка на състоянието на захранване на батерията (вижте Фиг. A2)

Нивото на батерията може да бъде известно от светлинния индикатор за батерията, като натиснете бутона до светлините.


2. ОТСТРАНЯВАНЕ ИЛИ ПОСТАВЯНЕ НА БАТЕРИЯ (ВИЖТЕ ФИГ. В1, В2)

Натиснете бутона за освобождаване на батерията и извадете батерията от инструмента. След презареждане плъзнете батерията в порта за батерията на инструмента. Едно просто натискане и лек натиск ще бъдат достатъчни.

МОНТАЖ

1. СГЛОБЕТЕ ШЛИФОВАТА ХАРТИЯ (ВИЖТЕ ФИГ. С)

Натиснете превключвателя за включване/изключване, за да стартирате и го отпуснете, за да спрете бормашината. Превключвателят за включване/изключване е снабден със спирачна функция, която спира незабавно патронника, когато бързо освободите превключвателя. Това също е превключвател с променлива скорост, който осигурява по-висока скорост и въртящ момент с повишен натиск на спусъка. Скоростта се контролира от степента на натискане на спусъка на превключвателя.

 **ПРЕДУПРЕЖДЕНИЕ: Не работете за дълги периоди на ниска скорост, защото въртешно ще се генерира излишна топлина. Когато възникне претоварване, незабавно освободете превключвателя за включване/изключване, за да избегнете прегряване на двигателя.**

2. ЗАКЛЮЧВАНЕ НА ПРЕВКЛЮЧАТЕЛЯ (ВИЖТЕ ФИГ. D)


Спусъкът на превключвателя може да бъде заключен в положение OFF. Това помага да се намали възможността от случайно стартиране, когато не се използва. За да заключите спусъка на превключвателя, поставете контрола за въртене напред/назад в централна позиция.

3. ЗАКЛЮЧВАНЕ НА ПРЕВКЛЮЧАТЕЛЯ

Превключвателят за включване/изключване може да бъде заключен в положение ИЗКЛ. Това помага да се намали възможността от случайно стартиране, когато не се използва. За да заключите превключвателя за включване/изключване, поставете селектора за посока на въртене в централна позиция.

4. УПРАВЛЕНИЕ НА ВЪРТЕНЕТО НАПРЕД/НАЗАД (ВИЖТЕ ФИГ. E, F)

За въртене напред (с патронник, насочен от вас) преместете контрола за въртене наляво. За обратно въртене (с патронник, насочен от вас) преместете контрола за въртене надясно.

 **ПРЕДУПРЕЖДЕНИЕ: Никога не променяйте посоката на въртене, когато патронникът се върти, изчакайте да спре!**

5. ДВУСКОРОСТНО УПРАВЛЕНИЕ НА ПРЕДАВКИТЕ (ВИЖТЕ ФИГ. G, H)

Бормашината има двускоростно управление на предавките, предназначено за пробиване или задвижване при LO (маркировката е 1) или HI (маркировката е 2) скорости. Плъзгач превключвател е разположен в горната част на свредлото, за да изберете НИСКА или ВИСОКА скорост. Когато използвате бормашината в скоростен диапазон LO, скоростта ще намалее и бормашината ще има по-голяма мощност и въртящ момент. Когато използвате бормашината в скоростен диапазон HI, скоростта ще се увеличи и бормашината ще има по-малко мощност и въртящ момент.


СКОРОСТ I

Диапазон на ниска скорост: за завинтване или работа с голям диаметър на пробиване.

СКОРОСТ II

Висок скоростен диапазон: за работа с малък диаметър на пробиване.

преместете контрола за въртене надясно.

 **ПРЕДУПРЕЖДЕНИЕ: Когато претоварването се случва често на високоскоростната предавка, превключете на нискоскоростната предавка, за да избегнете прегряване на двигателя.**


6. РЕГУЛИРАНЕ НА ПАТРОННИКА (ВИЖТЕ ФИГ. I)

За да отворите челюстите на патронника, завъртете предната част на патронника. Поставете свредлото между челюстите на патронника и завъртете предната част в обратна посока. Уверете се, че свредлото е в центъра на челюстите на патронника. Накрая завъртете здраво предния патронник в противоположни посоки. Вашето свредло вече е захванато в патронника.

7. РЕГУЛИРАНЕ НА ВЪРТЯЩИЯ МОМЕНТ (ВИЖТЕ ФИГ. J)

(Задвижващата сила на винта на вашата бормашина) Въртящият момент се регулира чрез завъртане на пръстена за регулиране на въртящия момент. Въртящият момент е по-голям, когато пръстенът за регулиране на въртящия момент е настроен на по-висока настройка. Въртящият момент е по-малък, когато пръстенът за регулиране на въртящия момент е настроен на по-ниска настройка.

Направете настройката, както следва:

1-4	за завинтване на малки винтове
5-9	за завинтване на винтове в мек материал
10-14	за завинтване на винтове в меки и твърди материали
15-19	за завинтване на винтове в твърдо дърво
20	за завиване на по-големи винтове
	за тежко сондиране

8. ИЗПОЛЗВАНЕ НА ЩИПКА ЗА КОЛАН (ВИЖТЕ ФИГ. K)

Завийте щипката за колан на инструмента с винта. Щипката за колан може да се закачи на колана или джоба ви и т.н.

9. ИЗПОЛЗВАНЕ НА МЕРНИКА

За да включите светлината, натиснете превключвателя за включване/изключване и се уверете, че контролът за въртене напред/назад е в дясно/ляво положение. Когато освободите ключа за включване/изключване, светлината ще изгасне. LED осветлението увеличава видимостта - чудесно за тъмни или затворени помещения.

10. ПРОБИВАНЕ

Когато пробивате в твърда гладка повърхност, използвайте централен перфоратор, за да маркирате желаното място на отвора. Това ще попречи на свредлото да се изплъзне от центъра при започване на отвора.

Дръжте инструмента здраво и поставете върха на свредлото в точката, в която ще пробивате.

Натиснете спуска на превключвателя, за да стартирате инструмента. Преместете свредлото в детайла, като прилагате достатъчно натиск, за да продължите да реже. Не насилвайте и не прилагайте страничен натиск, за да удължите дупка.

Свредлата от волфрамов карбид винаги трябва да се използват за бетон и зидария. Когато пробивате в метал, използвайте само свредла от HSS в добро състояние. Винаги използвайте магнитен държач за битове, когато използвате къси битове за отвертка. Когато завинтвате, нанесете малко количество течен сапун или подобен върху резбите на винта, за да улесните поставянето.

11. ЗАЩИТА ОТ ПРЕТОВАРВАНЕ

При претоварване двигателят спира. Незабавно облекчете натоварването на инструмента и освободете превключвателя за включване/изключване. Рестартирайте инструмента както обикновено.

12. ТЕМПЕРАТУРНО ЗАВИСИМО ПРЕТОВАРВАНЕ ЗАЩИТА

При използване по предназначение електроинструментът не може да бъде подложен на претоварване. Когато товарът е твърде висок или допустимата температура на батерията е твърде висока, електронното управление изключва електроинструмента, докато температурата отново достигне оптималния температурен диапазон.

13. ИЗХВЪРЛЯНЕ НА ИЗТОЩЕНА БАТЕРИЯ



За да запазите природните ресурси, моля, рециклирайте или изхвърлете правилно Li-Ion батерията. Тази батерия съдържа литиеви батерии. Консултирайте се с местния орган за отпадъци за информация относно наличните опции за рециклиране и/или изхвърляне. Разредете батерията си, като задействате бормашината, след това извадете батерията от корпуса на бормашината и покрийте връзките на батерията с здрава самозалепваща лента, за да предотвратите късо съединение и разреждане на енергия. Не се опитвайте да отваряте или премахвате някой от компонентите

РЕШЕНИЕ НА ПРОБЛЕМА

1. ЗАЩО БОРМАШИНАТА НЕ СЕ ВКЛЮЧВА, КОГАТО НАТИСНЕТЕ КЛЮЧА?

Контролът за въртене напред/назад, който е отгоре на спуска, е в позициониран във функцията за заключване. Отключете контрола за въртене напред/назад, като го поставите в желаната позиция за въртене. Натиснете спуска и свредлото ще започне да се върти.

2. БОРМАШИНАТА СПИРА ПРЕДИ ВИНТЪТ ДА Е ЗАТЕГНАТ НАПЪЛНО. ЗАЩО?

Проверете позицията на въртящия момент на пръстена за регулиране на въртящия момент, можете да намерите пръстена за регулиране на въртящия момент между патронника и тялото на свредлото. Позиция 1 е най-ниският въртящ момент (задвижваща сила на винта), а позиция 20 е най-високият въртящ момент (задвижваща сила на винта). Позицията 2 е за работа с бормашина. Регулирайте пръстена за регулиране на въртящия момент на по-висока позиция, за да постигнете най-добър резултат.

3. НЕ МОГА ДА ПОСТАВА БАТЕРИЯТА В ЗАРЯДНОТО УСТРОЙСТВО. ЗАЩО?

Батерията може да се постави в зарядното само в една посока. Завъртете батерията, докато може да се постави в слота.

4. ПРИЧИНИ ЗА РАЗЛИЧНОТО РАБОТНО ВРЕМЕ НА БАТЕРИЯТА

Проблеми с времето за зареждане и неизползване на батерия за продължително време ще намалят работното време на батерията. Това може да се коригира след няколко операции на зареждане и разреждане чрез зареждане и работа с вашата бормашина. Тежките работни условия, като големи винтове в твърдо дърво, ще изразходват енергията на батерията по-бързо от по-леките работни условия. Не зареждайте отново батерията си под 0°C и над 40°C, тъй като това ще повлияе на работата.

ПОДДРЪЖКА

Отстранете батерията от инструмента, преди да извършвате каквото и да е регулиране, обслужване или поддръжка. Вашият инструмент не изисква допълнително смазване или поддръжка. Няма части, които могат да бъдат обслужвани от потребителя във вашия електроинструмент. Никога не използвайте вода или химикали за почистване на вашия електроинструмент. Почиствайте със сухо парче плат. Винаги съхранявайте вашия електроинструмент на сухо място. Поддържайте отворите за вентилация на мотора чисти. Пазете всички работни контроли без прах. Понякога може да забележите искри през отворите за вентилация. Това е нормално и няма да повреди вашия електроинструмент.

ЗА ИНСТРУМЕНТИ С БАТЕРИИ

Диапазонът на околната температура за употреба и съхранението на инструмента и батерията е 0 °C-45 °C.

Препоръчителният температурен диапазон на околната среда за зареждащата система по време на зареждане е 0 °C-40 °C.

ОПАЗВАНЕ НА ОКОЛНАТА СРЕДА



Излезлите от употреба електрически продукти не бива да бъдат изхвърляни заедно с битовите отпадъци. Моля, рециклирайте, където съществуват съоръжения. Информация за рециклирането можете да получите от местните власти или от съответния търговец на дребно.

ДЕКЛАРАЦИЯ ЗА СЪОТВЕТСТВИЕ

Ние,
POSITEC Germany GmbH
Postfach 32 02 16, 50796 Cologne, Germany

Декларираме, че продуктът
Описание **Акумулаторен безчетков ударен гайковерт**
Модел обозначение **WS2388(23-обозначение на машини, представителни за отвертка или ударен гайковерт)**
Функция **Затягане и разхлабване на винтове, гайки**

Отговаря на следните Директиви:
2006/42/EC
2011/65/EU & (EU)2015/863
2014/30/EU
2014/35/EU
2006/66/EC & 2013/56/EU

както и на стандартите:

EN 62841-1
EN 62841-2-1
EN 55014-1
EN 55014-2
EN IEC 61000-3-2
EN 61000-3-3
EN 60335-1
EN 60335-2-29
EN 62233
EN 62133-2

Лице, оторизирано да изготвя техническото досие,

Име **Marcel Filz**
Адрес **Positec Germany GmbH**
Postfach 32 02 16, 50796 Cologne,
Germany



2023/04/04

Allen Ding

Заместник-главен инженер, отговарящ за тестването и сертифицирането
Positec Technology (China) Co., Ltd
18, Dongwang Road, Suzhou Industrial Park, Jiangsu 215123, P. R. China

WESCO