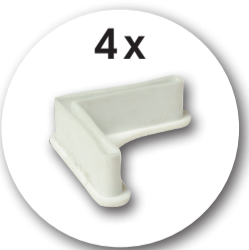
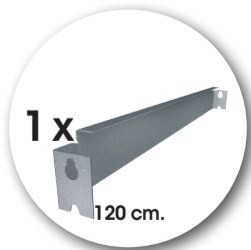
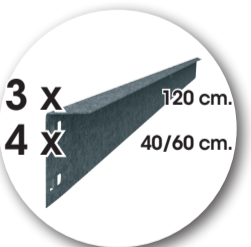
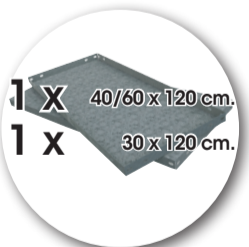
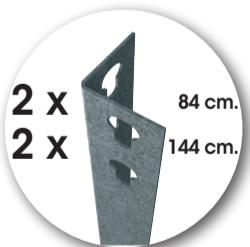
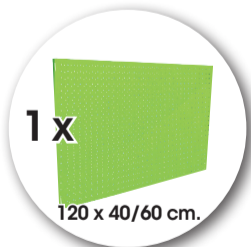
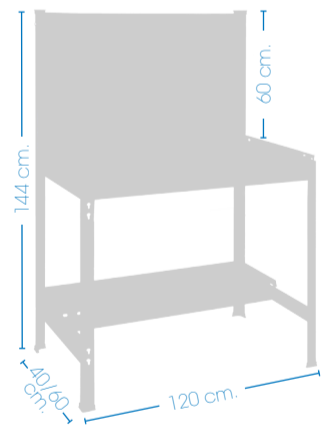


BT-2 Garden 1200



144x120x40cm.



144x120x60cm.

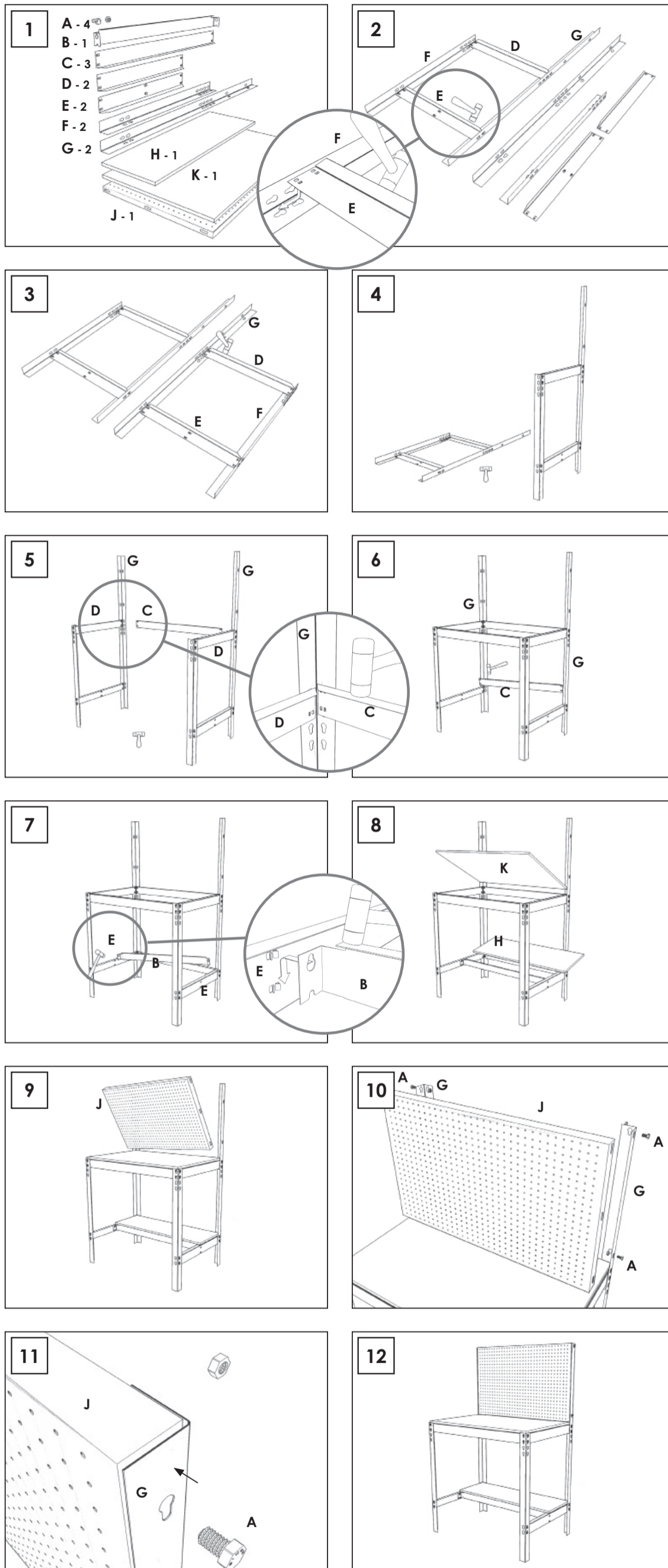


info@simonrack.com
 www.simonrack.com
 Polígono de Alfamén
 C/ Polígono C, nº 3
 50.461 Alfamén (Zaragoza) SPAIN
 Telf. (+34) 976 628 537
 Fax (+34) 976 628 542



TÜVRheinland®
CERT
 ISO 9001

INSTRUCTIONS



600kg
Kg/Shelf
Uniformly Distributed Load



Montaje sin Tornillos
Boltless
Montage ohne Schrauben
Montaggio senza Viti
Montage sans vis



Color del producto
Structure Colours
Produkt Farbe
Prodotto Colore
Couleur du produit



Admite Ruedas
Supports Wheels
Unterstützt Räder
Supporta Wheels
Admet des Roues

SIMONCLASSIC



Up to: ∞
100 Kg/
Kg/Shelf
Uniformly Distributed Load



SIMONCLICK



Up to: ∞
180 Kg/
Kg/Shelf
Uniformly Distributed Load



SIMONOFFICE



Up to: ∞
275 Kg/
Kg/Shelf
Uniformly Distributed Load



SIMONTALLER

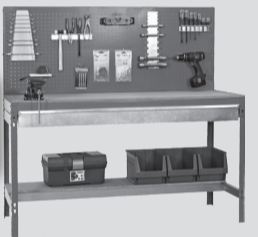


Up to: ∞
600 Kg/
Kg/Shelf
Uniformly Distributed Load



BANCOS DE TRABAJO

Up to: ∞
800 Kg/
Kg/Shelf
Uniformly Distributed Load



SIMONHOME

Up to: ∞
150 Kg/
Kg/Shelf
Uniformly Distributed Load



TAQUILLAS



SIMONTITÁN

Up to: ∞
900 Kg/
Kg/Shelf
Uniformly Distributed Load



SIMONINOX

Up to: ∞
900 Kg/
Kg/Shelf
Uniformly Distributed Load



SIMONPALET

Up to: ∞
4500 Kg/
Kg/Shelf
Uniformly Distributed Load



SIMONLEVER

Up to: ∞
4500 Kg/
Kg/Shelf
Uniformly Distributed Load



ALTILLOS Y PASILLOS ELEVADOS

