

HOMECCLICK METAL

160 x 80 x 40 cm* (63.0"x31.5"x15.8")

KIT MINI 4/400
Color

5 years
SIMONRACK
GUARANTEE

160 cm (63.0")

40 cm (15.8")

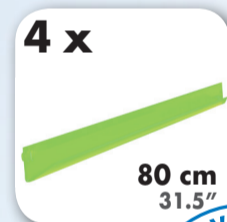
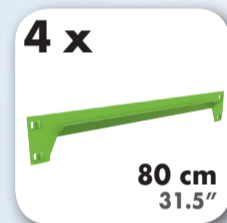
80 cm (31.5")

150 kg
(350 lb)

150 kg
(350 lb)

150 kg
(350 lb)

150 kg
(350 lb)



*MEDIDAS EN USO: 1604 x 804 x 404 mm
USED MEASUREMENTS: 63.15" x 31.65" x 15.91"



ESTANTERIAS SIMON S.L. B.50.556.463
PG. ALFAMEN C/ POLIGONO C, N°3
ALFAMEN (ZARAGOZA)

Simon
Rack
SINCE 1964 - MANUFACTURER

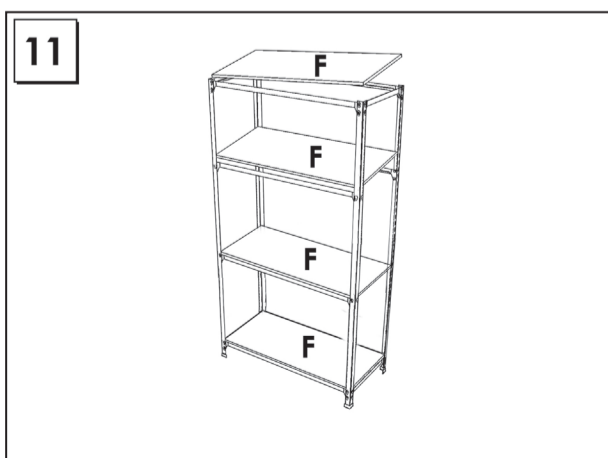
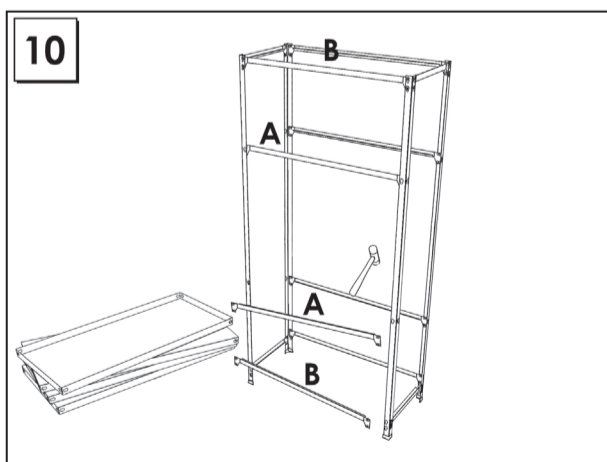
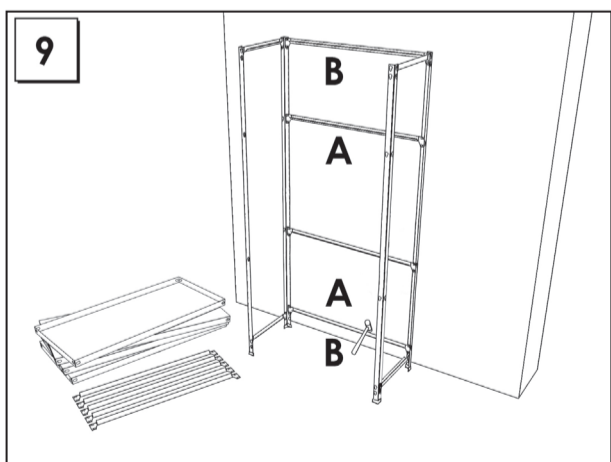
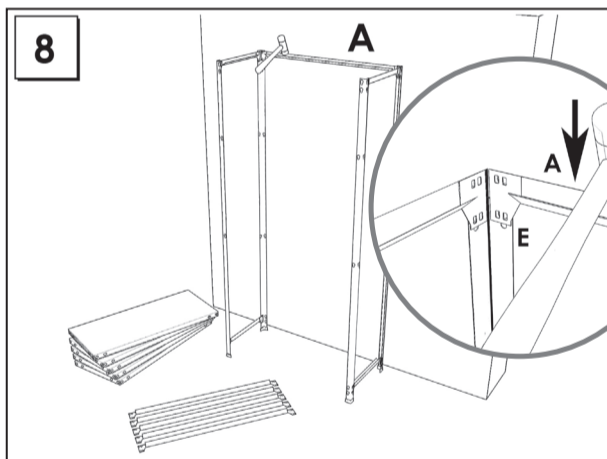
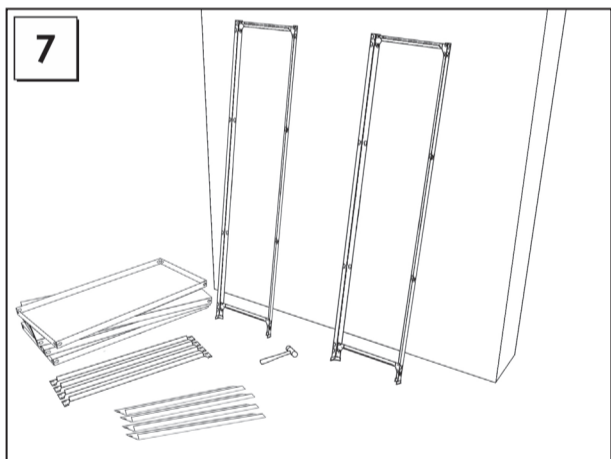
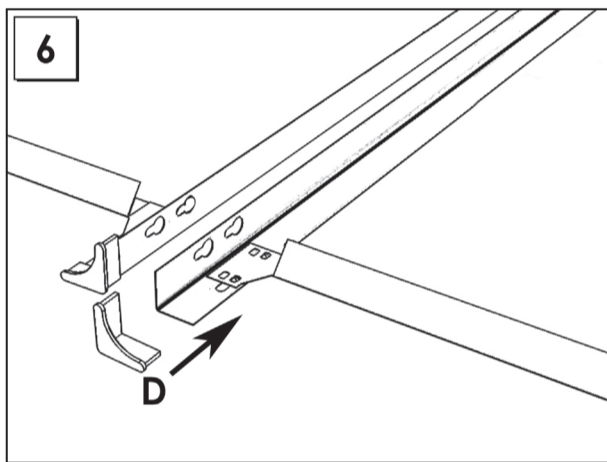
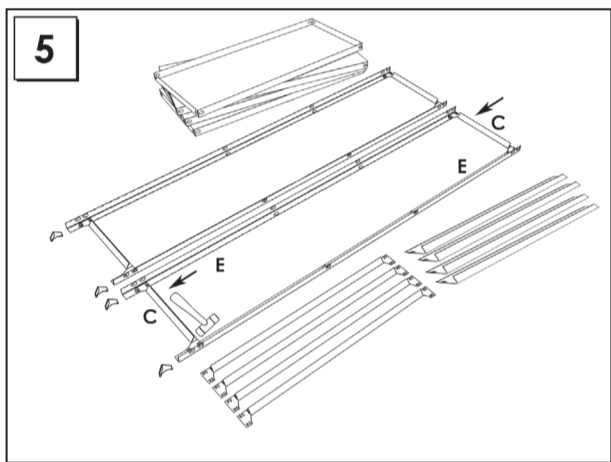
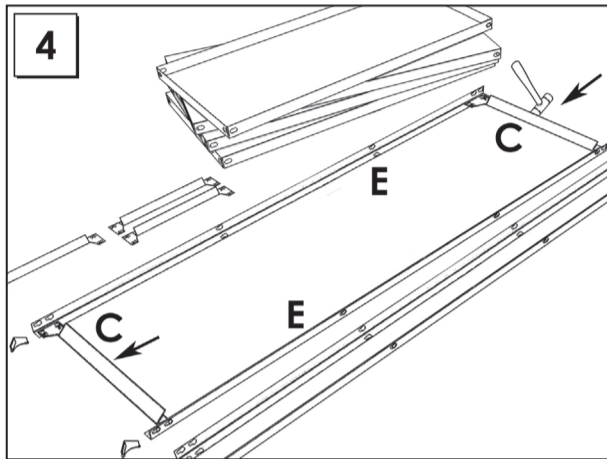
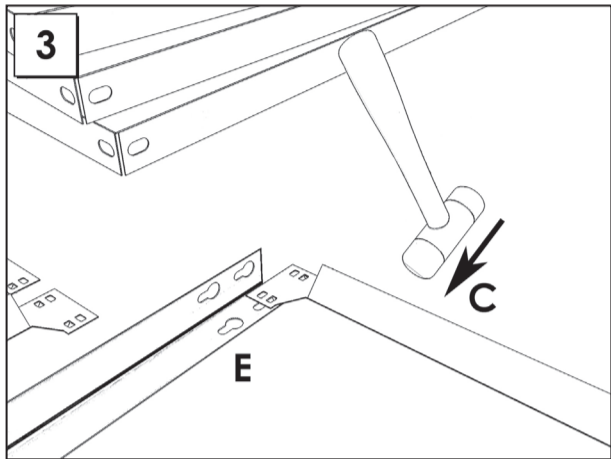
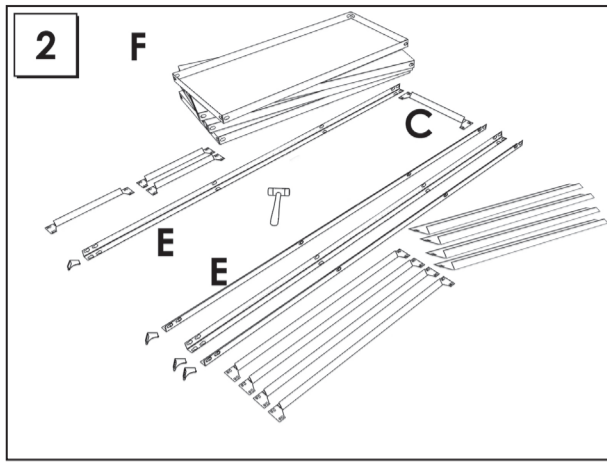
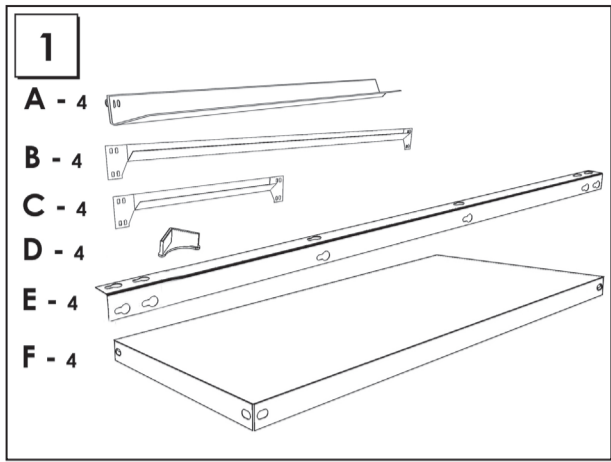


www.simonrack.com



Management System
ISO 9001:2008
www.tuv.com
ID 9105944225

INSTRUCTIONS



SIMONCLASSIC



SIMONCLICK



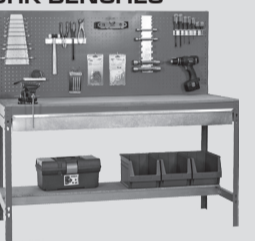
SIMONOFFICE



SIMONTALLER



**BANCOS DE TRABAJO
WORK BENCHES**



SIMONHOME



**TAQUILLAS
LOCKER**



SIMONTITÁN



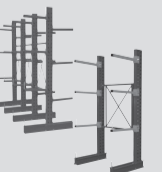
SIMONINOX



SIMONPALET



SIMONLEVER



**ALTILLOS Y PASILLOS ELEVADOS
PLATFORMS AND MEZZANINES**

