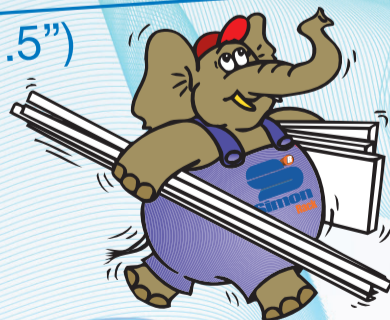
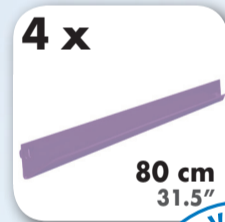
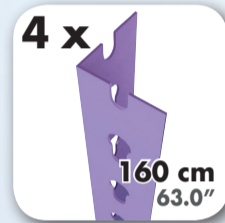


# HOMECCLICK METAL

160 x 80 x 40 cm\* (63.0"x31.5"x15.8")

**KIT MINI 4/400**  
*Color*

**5** years  
SIMONRACK  
GUARANTEE



\*MEDIDAS EN USO: 1604 x 804 x 404 mm  
USED MEASUREMENTS: 63.15" x 31.65" x 15.91"



ESTANTERIAS SIMON S.L. B.50.556.463  
PG. ALFAMEN C/ POLIGONO C, N°3  
ALFAMEN (ZARAGOZA)

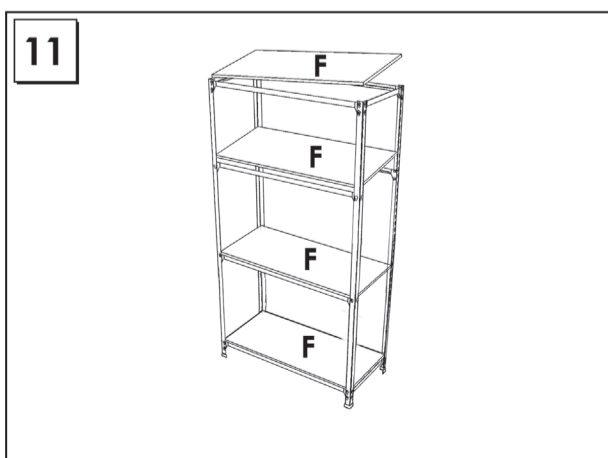
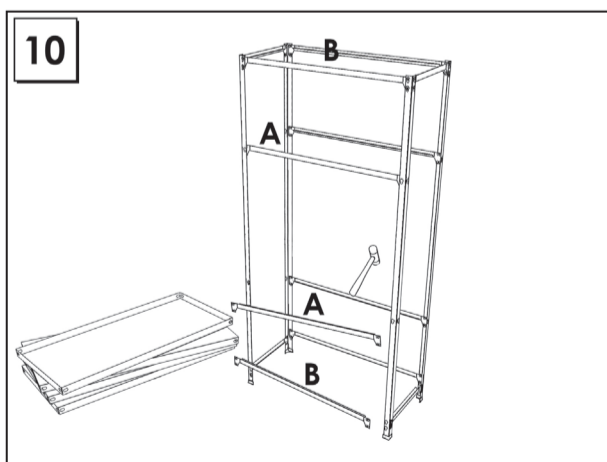
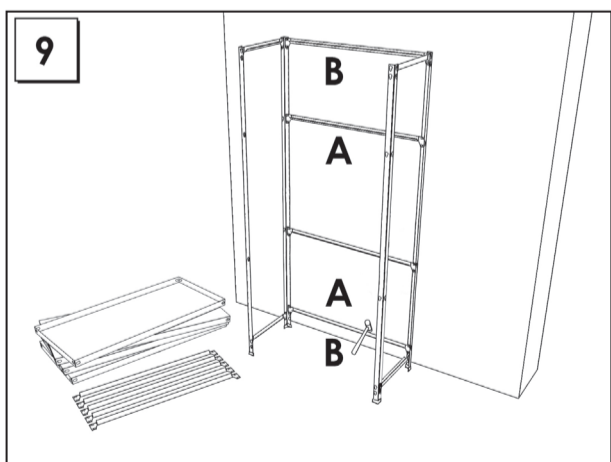
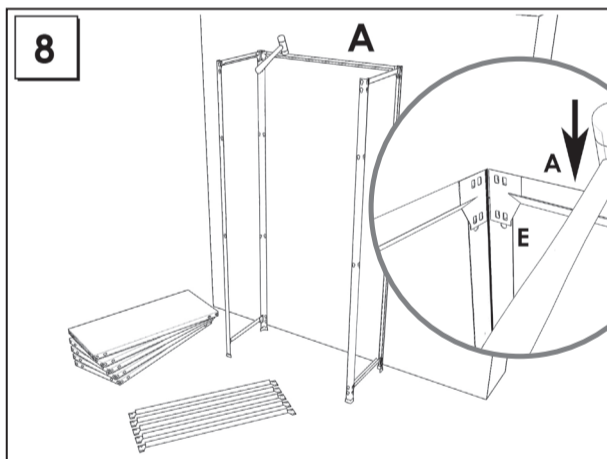
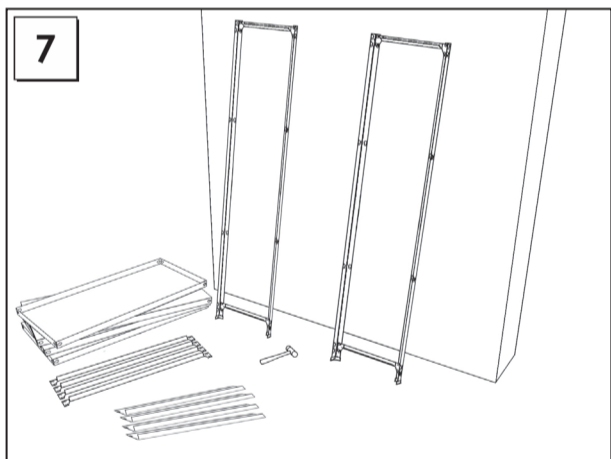
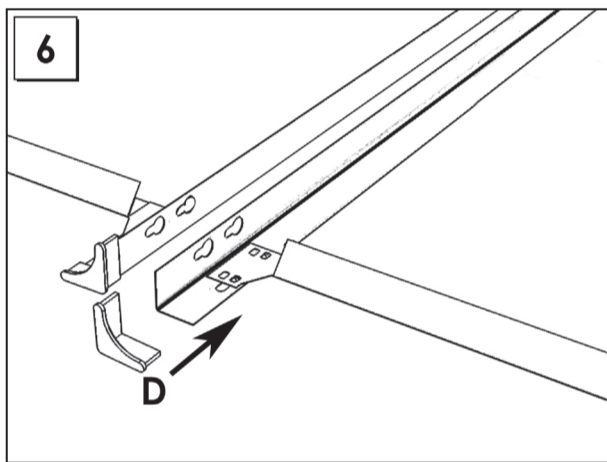
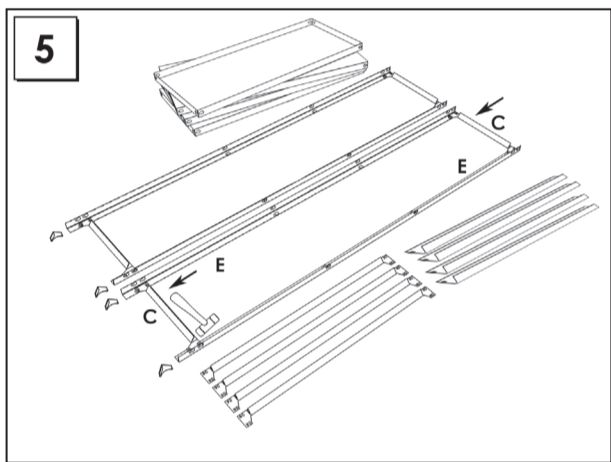
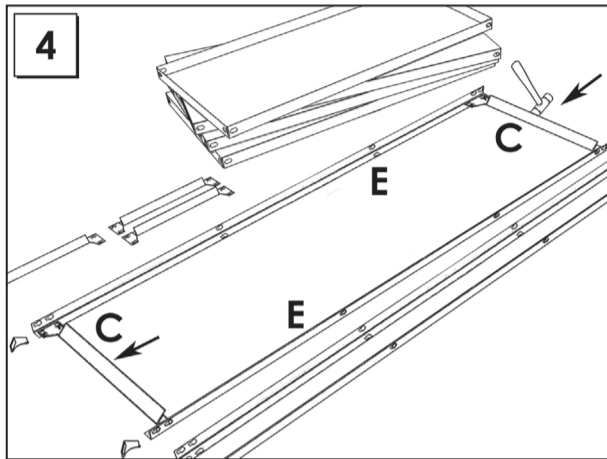
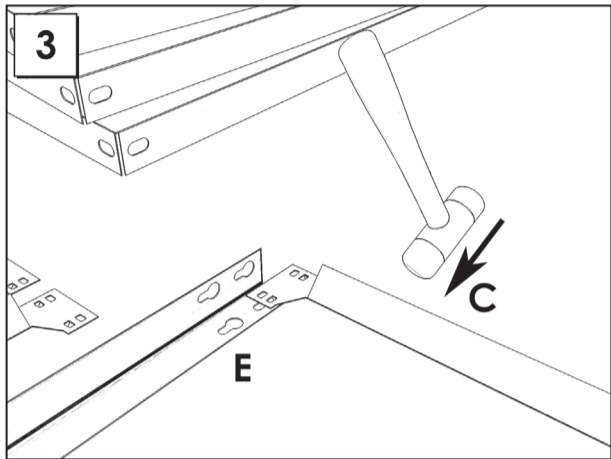
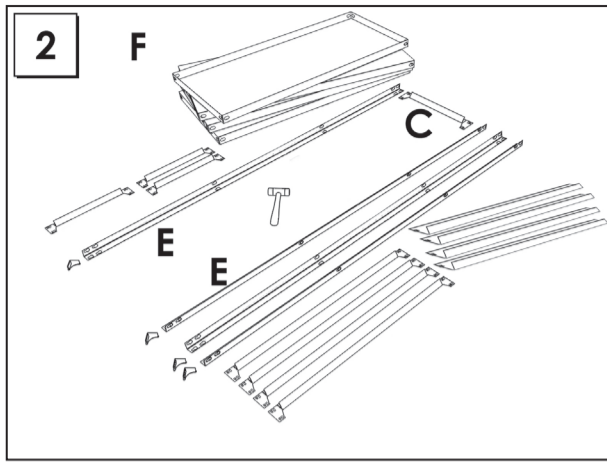
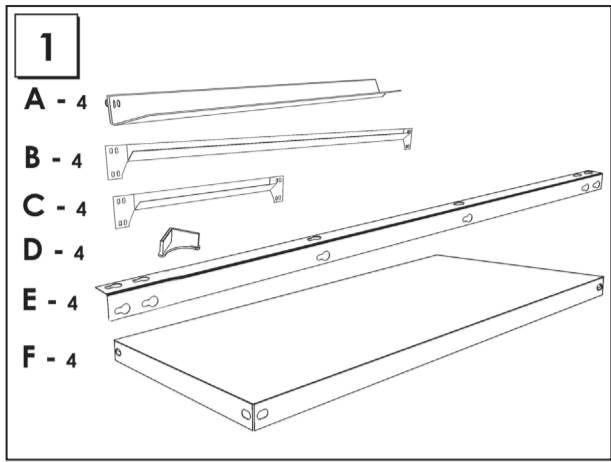
**Simon**  
**Rack**  
SINCE 1964 - MANUFACTURER



[www.simonrack.com](http://www.simonrack.com)



INSTRUCTIONS



**SIMONCLASSIC**



Up to: **150 Kg**  
(331 lb)  
Kg./Shelf  
Uniformly Distributed Load



**SIMONCLICK**



Up to: **400 Kg**  
(882 lb)  
Kg./Shelf  
Uniformly Distributed Load



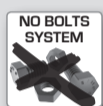
**SIMONOFFICE**



Up to: **275 Kg**  
(606 lb)  
Kg./Shelf  
Uniformly Distributed Load



**SIMONTALLER**

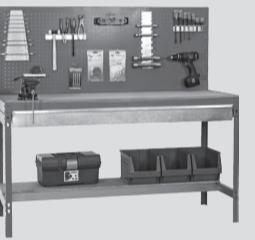


Up to: **700 Kg**  
(1543 lb)  
Kg./Shelf  
Uniformly Distributed Load



**BANCOS DE TRABAJO  
WORK BENCHES**

Up to: **800 Kg**  
(1764 lb)  
Kg./Shelf  
Uniformly Distributed Load



**SIMONHOME**

Up to: **150 Kg**  
(331 lb)  
Kg./Shelf  
Uniformly Distributed Load



**TAQUILLAS  
LOCKER**



**SIMONTITÁN**

**NO BOLTS SYSTEM**

Up to: **900 Kg**  
(1984 lb)  
Kg./Shelf  
Uniformly Distributed Load



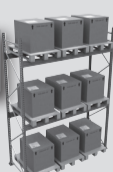
**SIMONINOX**

**NO BOLTS SYSTEM**

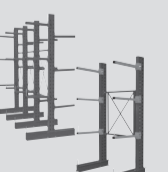


**SIMONPALET**

Up to: **4500 Kg**  
(9921 lb)  
Kg./Shelf  
Uniformly Distributed Load



**SIMONLEVER**



**ALTILLOS Y PASILLOS ELEVADOS  
PLATFORMS AND MEZZANINES**

