

SIMONWORK BT6 BOX 1800

Plywood



87 x 180 x 75 cm
34.3" x 70.9" x 29.5"



5 Años Garantía
 Years Guarantee
 Jahre Garantie
 Ans Garantie
SIMONRACK



87 cm (34.3")

75 cm (29.5")

180 cm (70.9")



- | | | | | |
|--------------------------------|------------------------------|------------------------------|-------------------------------|---|
| 4 x
82.5 cm
32.5" | 2 x
72 cm
28.3" | 2 x
72 cm
28.3" | 2 x
100 cm
39.4" | 1 x
75x180 cm
29.5"x70.9" |
| 54 x
12 x | 42 + 4 x | 4 x | 2 x
72 cm
28.3" | 1 x
35 kg
(80 lb)
56x85 cm
22.0"x33.5" |



Simon
Rack
 SINCE 1964 - MANUFACTURER

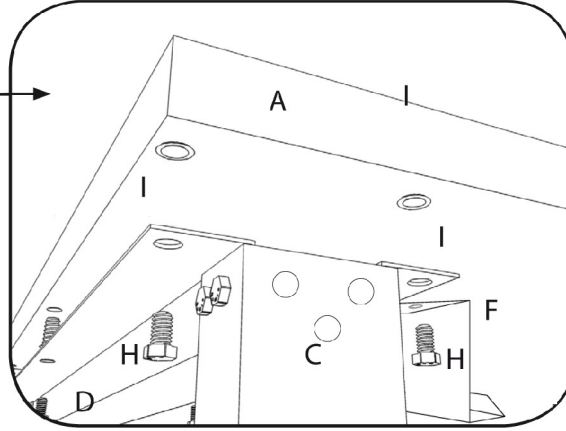
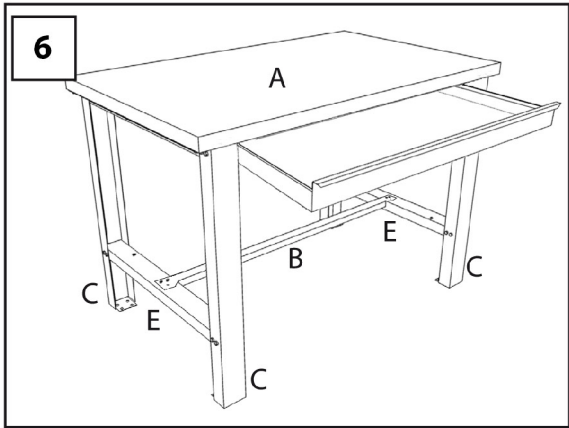
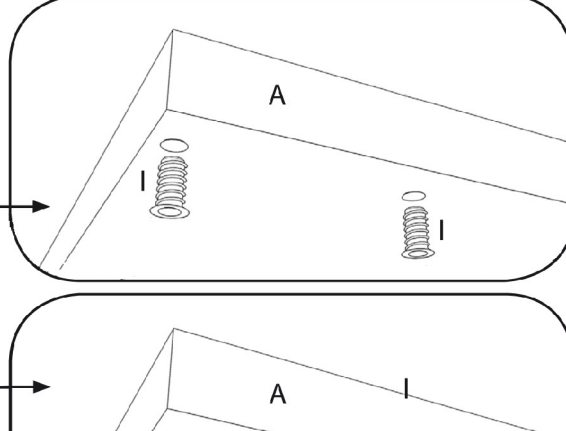
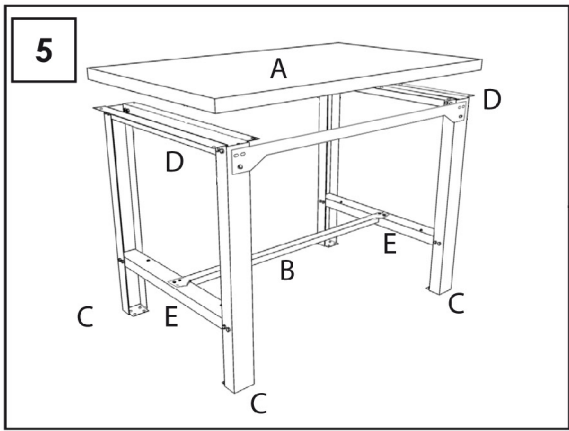
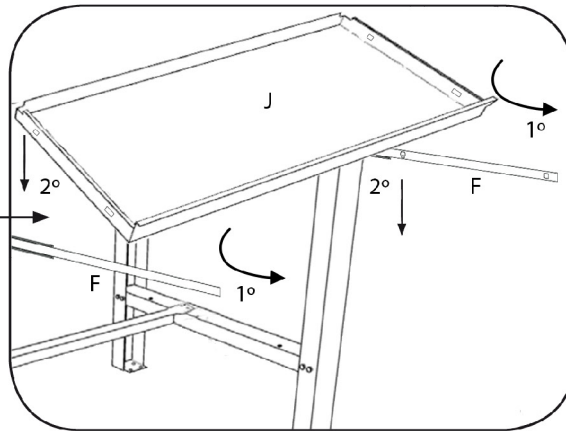
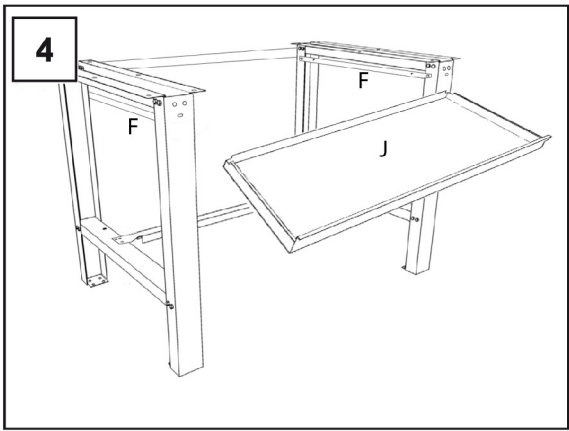
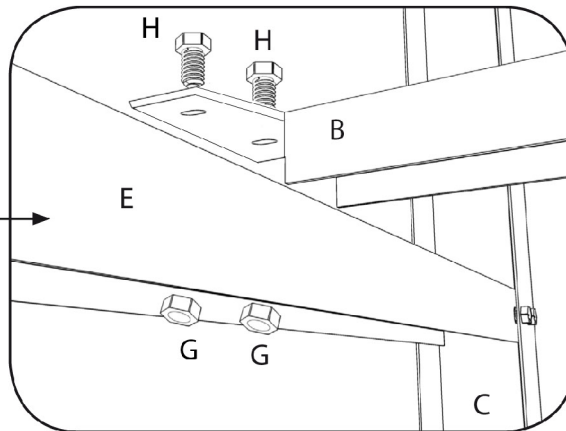
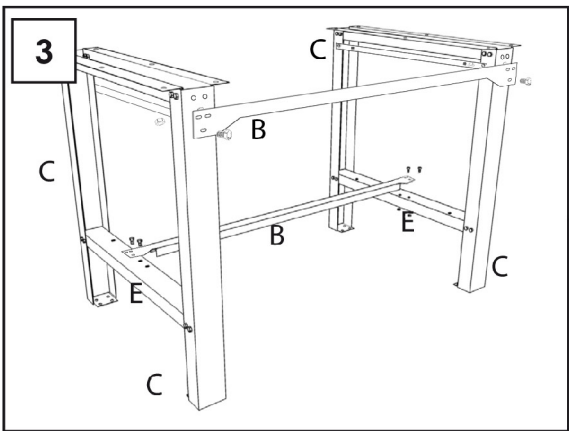
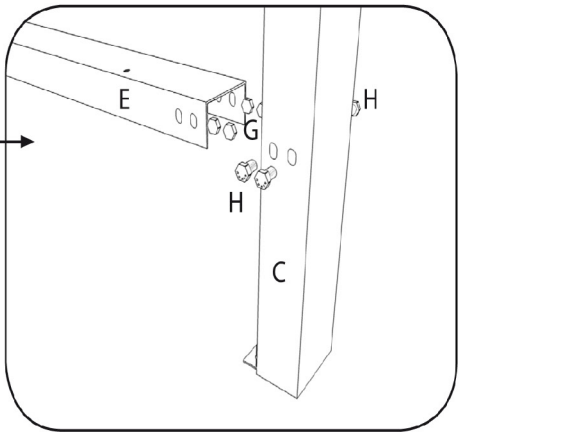
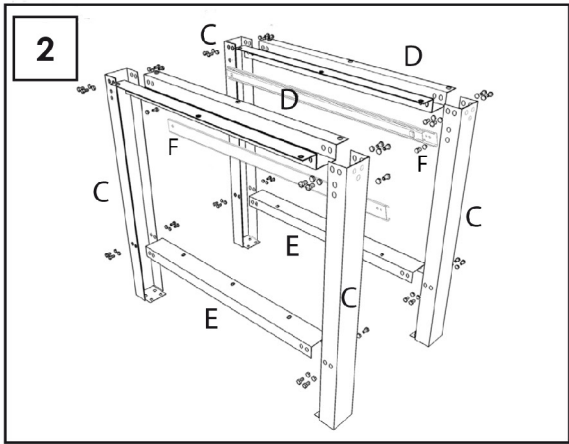
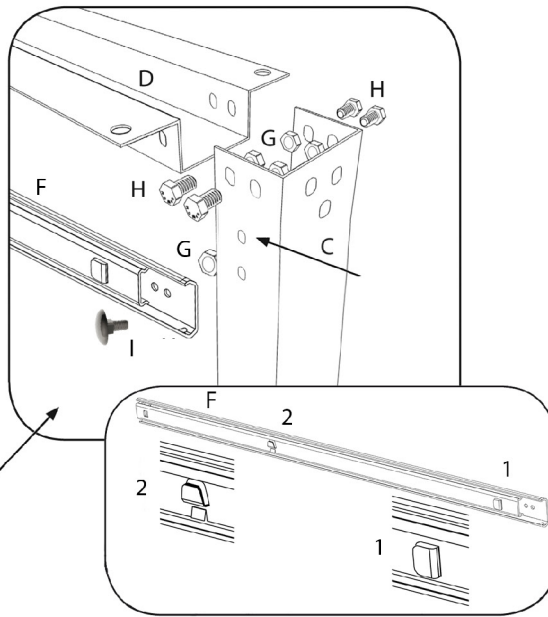
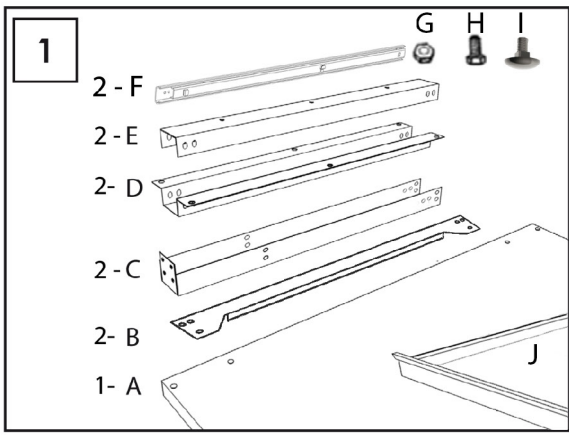
ESTANTERIAS SIMON S.L. B.50.556.463
 PG. ALFAMEN C/ POLIGONO C, Nº3
 ALFAMEN (ZARAGOZA)



www.simonrack.com



INSTRUCCIONES
 INSTRUCTIONS
 ANLEITUNG
 INSTRUCTIONS



SIMONCLASSIC



SIMONCLICK



SIMONTALLER



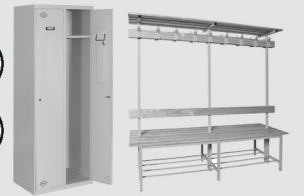
SIMONAUTO



SIMONWORK



SIMONLOCKER



SIMONOFFICE



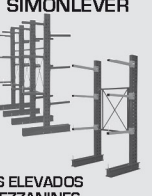
SIMONHOME



SIMONGARDEN



SIMONINDUSTRIAL



ALTILLOS Y PASILLOS ELEVADOS
PLATFORMS AND MEZZANINES
LAGERBÜHNEN • PLATES-FORMES ET MEZZANINES



* Kg / lb por bandeja con carga uniformemente repartida
Kg / lb per shelf uniformly distributed load
Kg / lb pro fach bei gleichmäßig verteilter last
Kg / lb par plateau avec charge uniformément répartie

www.simonrack.com • www.simonrack.com • www.simonrack.com • www.simonrack.com • www.simonrack.com • www.simonrack.com • www.simonrack.com • www.simonrack.com • www.simonrack.com • www.simonrack.com