

SIMONWORK BT6 BOX 1200

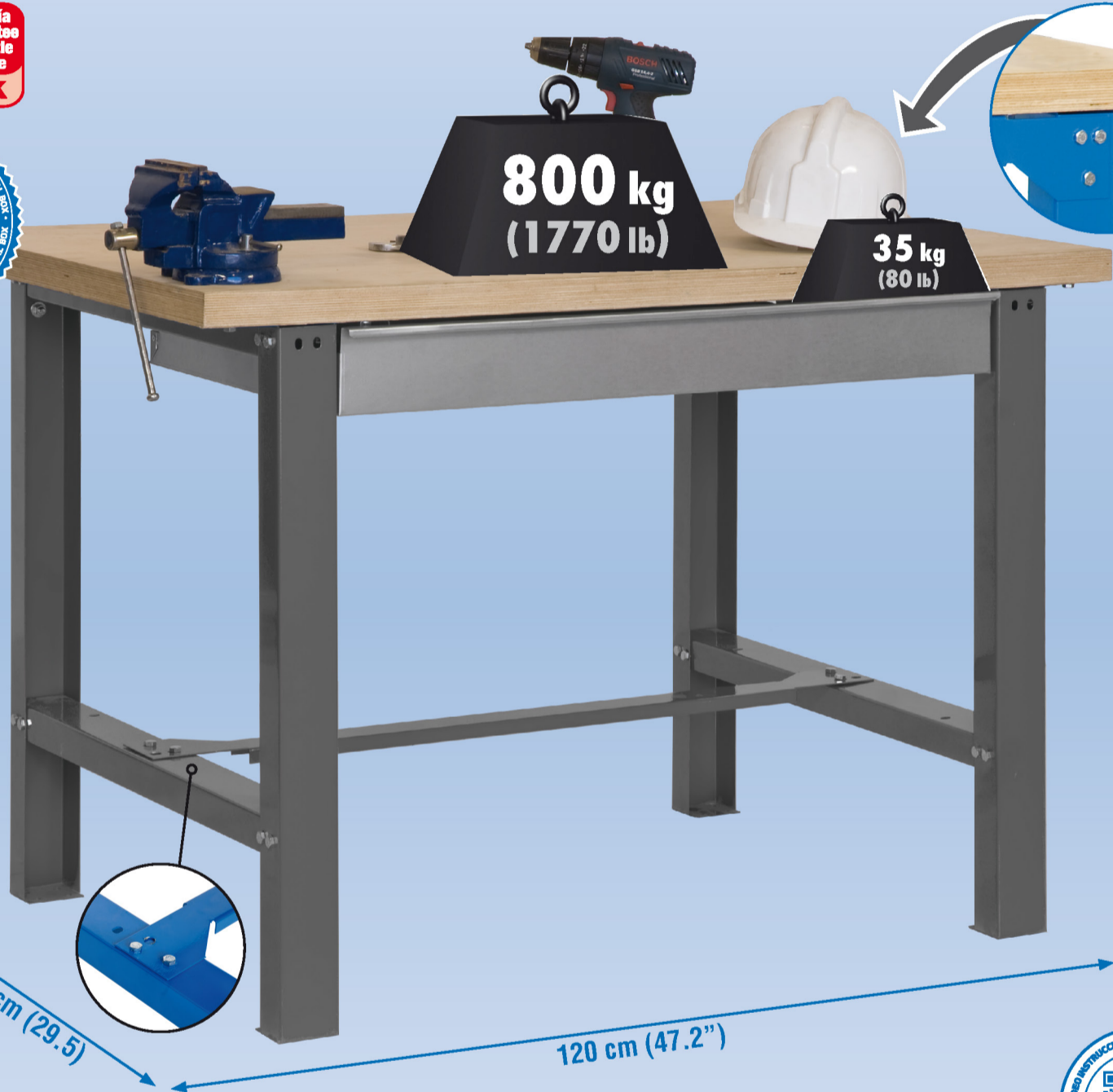
Plywood



87 x 120 x 75 cm
34.3" x 47.2" x 29.5"



5 Años Garantía
 Years Guarantee
 Jahre Garantie
 Ans Garantie
SIMONRACK



- | | | | | |
|--------------------------------|------------------------------|------------------------------|-------------------------------|---|
| 4 x
82.5 cm
32.5" | 2 x
72 cm
28.3" | 2 x
72 cm
28.3" | 2 x
100 cm
39.4" | 1 x
75x120 cm
29.5"x47.21" |
| 54 x
12 x | 42 + 4 x | 4 x | 2 x
72 cm
28.3" | 1 x
35 kg
(80 lb)
56x85 cm
22.0"x33.5" |



Simon
Rack
 SINCE 1964 - MANUFACTURER

ESTANTERIAS SIMON S.L. B.50.556.463
 PG. ALFAMEN C/ POLIGONO C, Nº3
 ALFAMEN (ZARAGOZA)

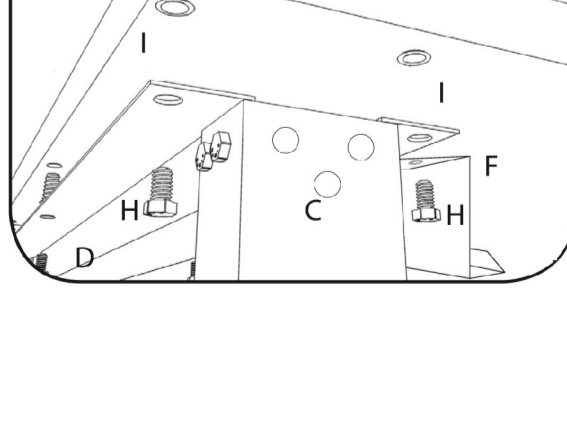
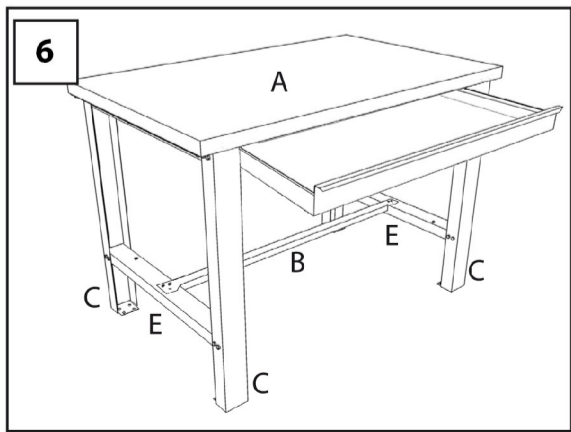
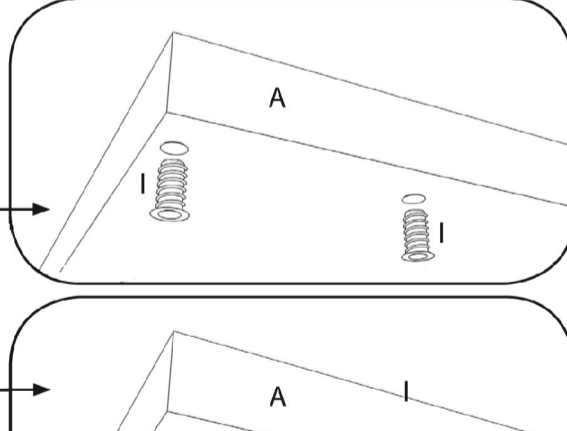
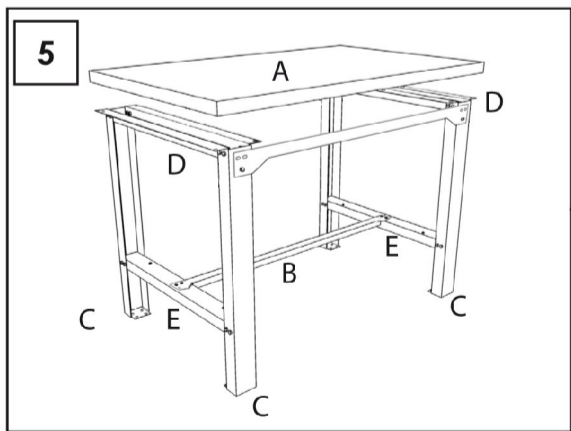
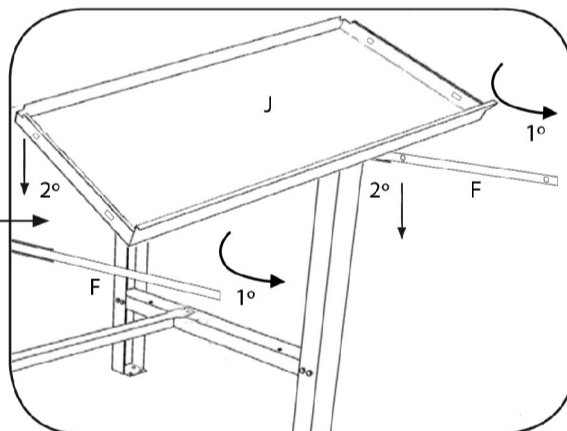
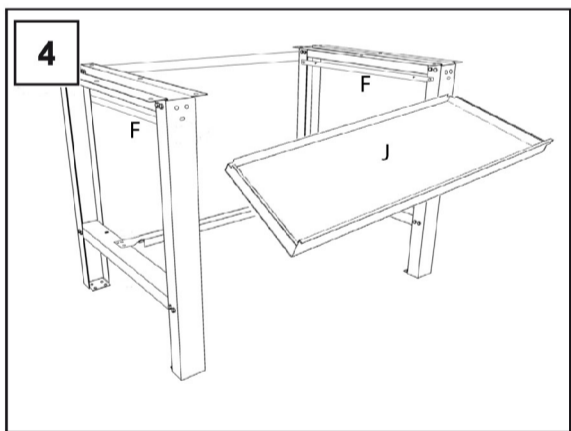
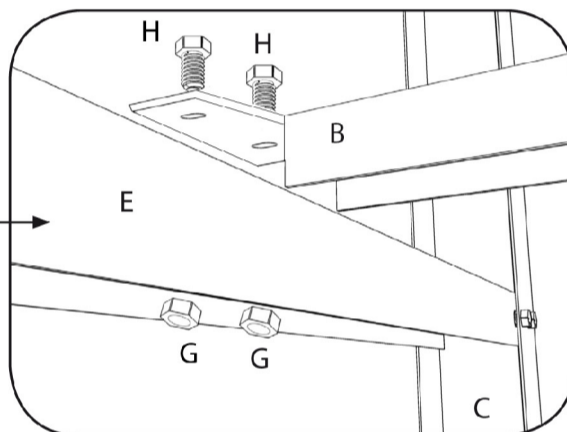
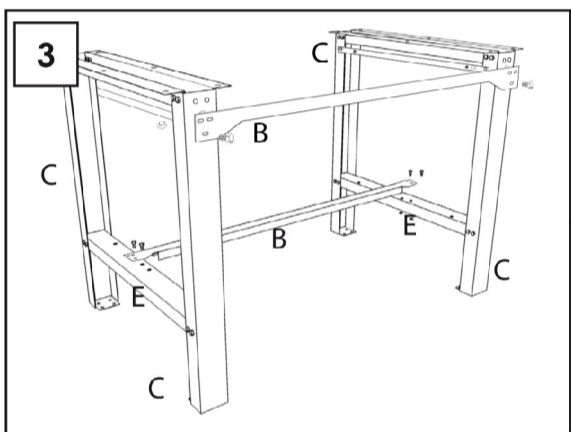
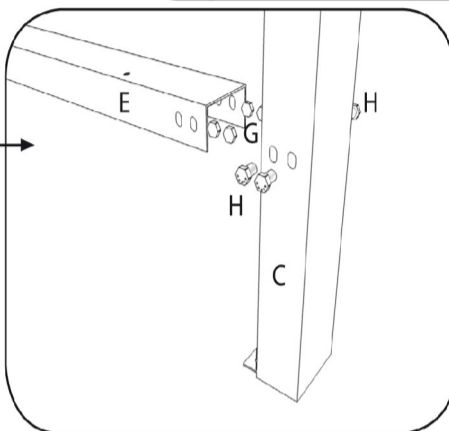
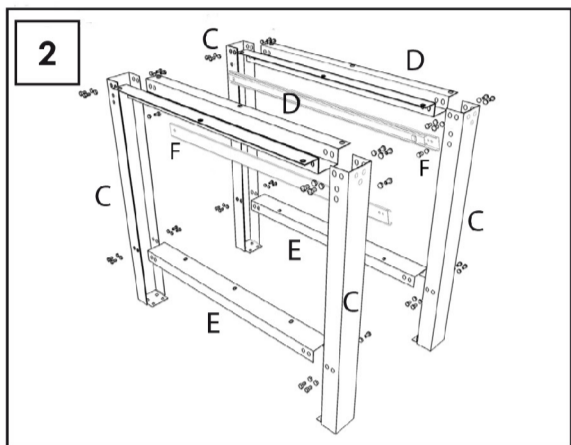
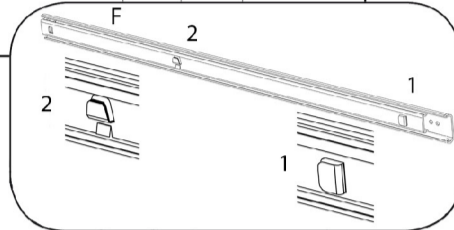
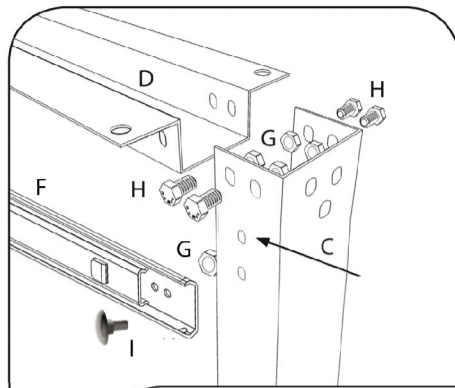
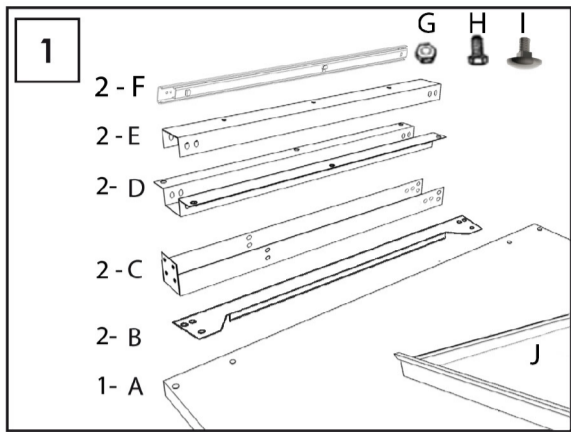


www.simonrack.com



Management System
 ISO 9001:2015
 www.tuv.com
 ID 910504425

INSTRUCCIONES
 INSTRUCTIONS
 ANLEITUNG
 INSTRUCTIONS



SIMONCLASSIC



SIMONCLICK



SIMONTALLER



SIMONAUTO



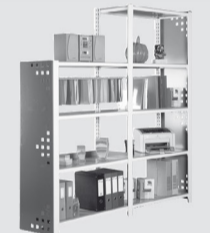
SIMONWORK



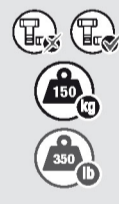
SIMONLOCKER



SIMONOFFICE



SIMONHOME



SIMONGARDEN



SIMONTITÁN

SIMONINOX



SIMONINDUSTRIAL



ALTILOS Y PASILLOS ELEVADOS
PLATFORMS AND MEZZANINES
LAGERBÜHNEN • PLATES-FORMES ET MEZZANINES



* Kg / lb per bandeja con carga uniformemente repartida
Kg / lb per shelf uniformly distributed load
Kg / lb pro fach bei gleichmäßig verteilter Last
Kg / lb par plateau avec charge uniformément répartie

