

SIMONWORK BT4 BOX 1500

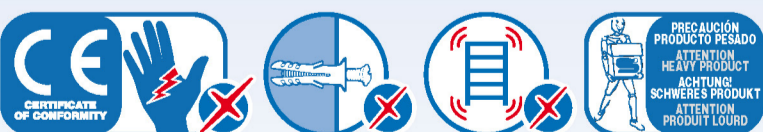


144,5 x 151 x 75 cm
56.9" x 59.4" x 29.5"

5 Años Garantía
 Years Guarantee
 Jahre Garantie
 Ans Garantie
SIMONRACK



- | | | | | | | | | | |
|------------------------|-----------------------|------------------------|--|---------------------------------|------------------------|------------------------------|--------------------------|---------------------------------|-----|
| 2 x
56 cm
22.0" | 2 x
84 cm
33.1" | 2 x
144 cm
56.7" | 1 x
MDF
75x150 cm
29.5"x59.4" | 1 x
40x150 cm
15.7"x59.4" | 3 x
150 cm
59.1" | 4 x
2 x
75 cm
29.5" | 2 x
30 cm
11.8" | 1 x
150x30 cm
59.1"x11.8" | 8 x |
| 1 x
150 cm
59.1" | 1 x
75 cm
29.5" | 2 x
30 cm
11.8" | 1 x
150 cm
59.1" | 2 x
75 cm
29.5" | 2 x
58 cm
22.8" | 1 x
35 kg
(80 lb) | 56x137 cm
22.0"x53.9" | | |



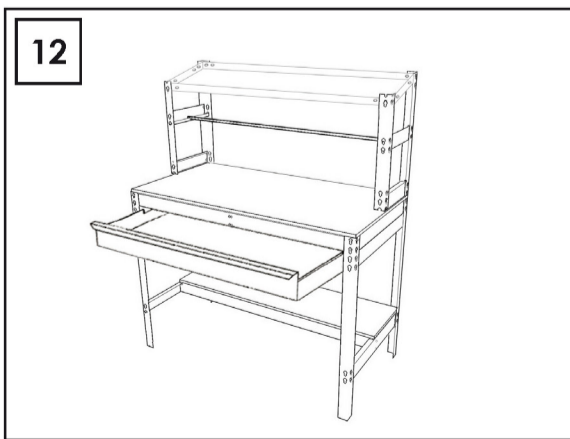
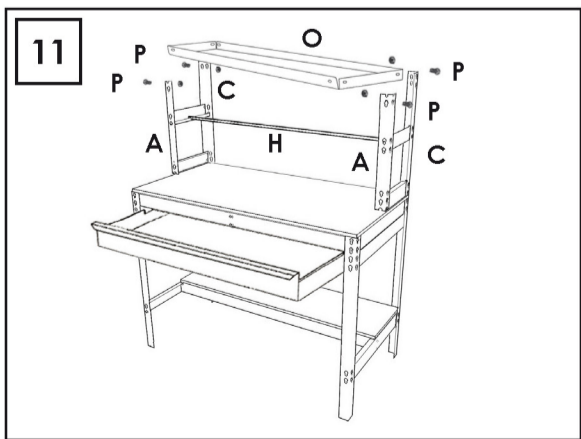
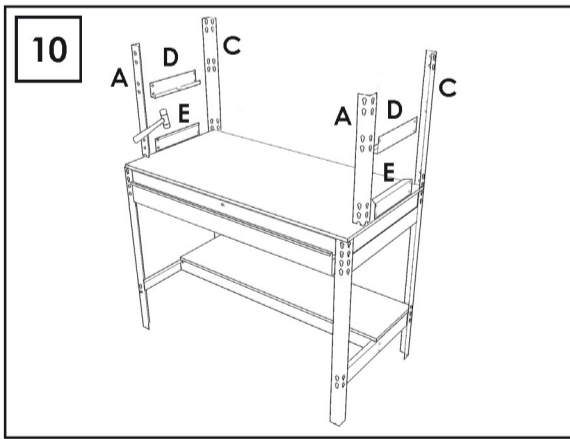
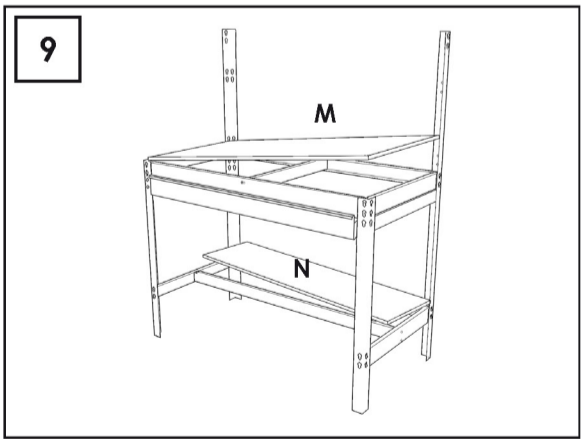
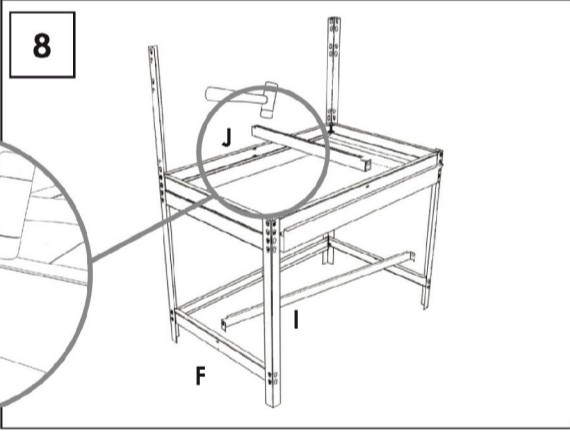
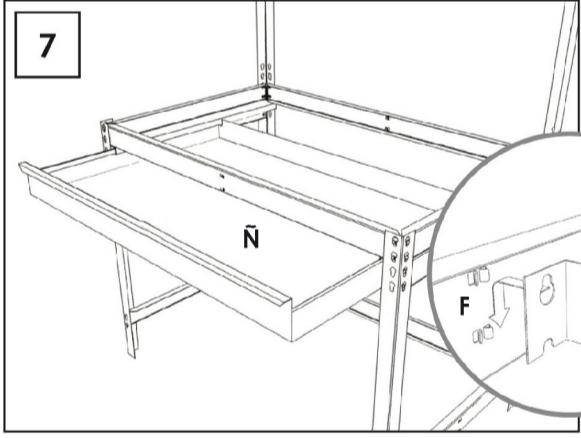
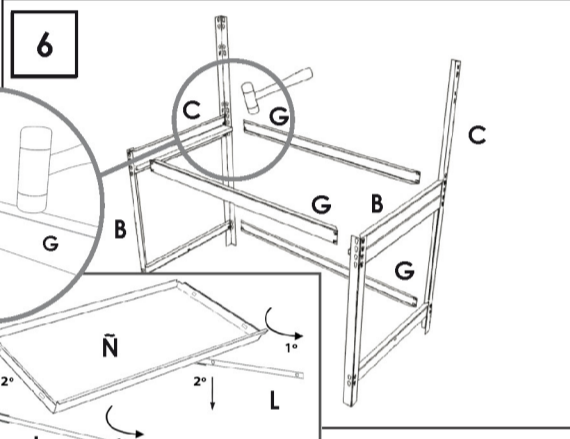
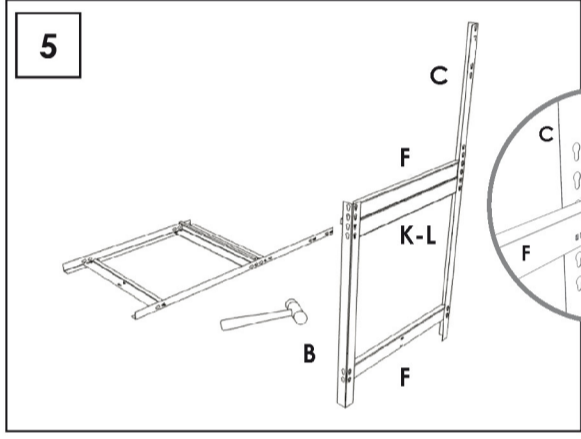
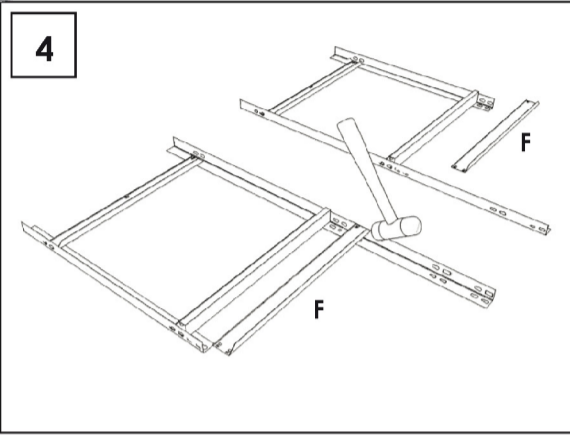
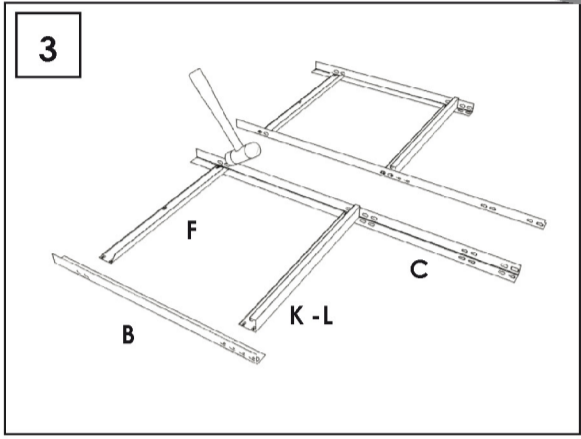
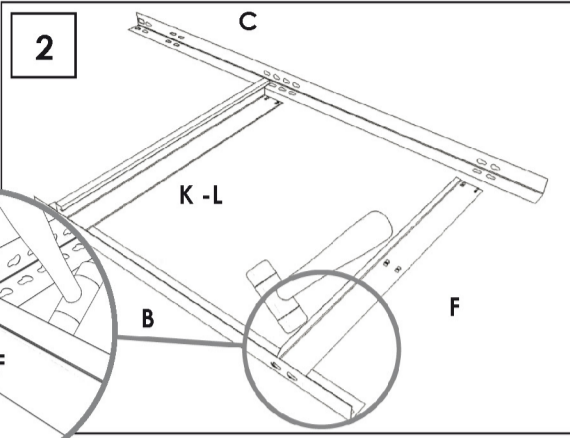
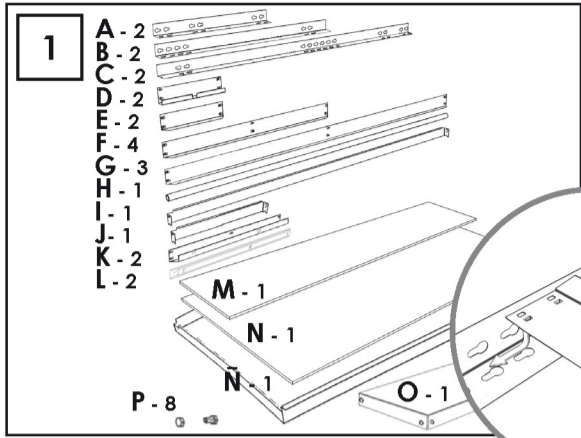
ESTANTERIAS SIMON S.L. B.50.556.463
 PG. ALFAMEN C/ POLIGONO C. Nº3
 ALFAMEN (ZARAGOZA)




www.simonrack.com



INSTRUCCIONES
 INSTRUCTIONS
 ANLEITUNG
 INSTRUCTIONS




SIMONCLASSIC




150 kg
350 lb

SIMONCLICK




400 kg
900 lb

SIMONTALLER




700 kg
1550 lb

SIMONAUTO




300 kg
660 lb

SIMONWORK




800 kg
1800 lb

SIMONLOCKER




SIMONOFFICE




275 kg
600 lb

SIMONHOME




150 kg
350 lb

SIMONGARDEN



600 kg
1350 lb

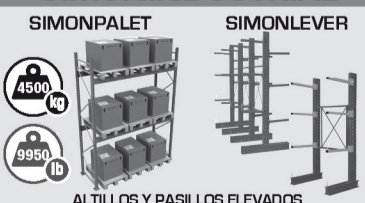
SIMONTITÁN **SIMONINOX**



900 kg
1990 lb

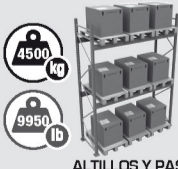
SIMONINDUSTRIAL

SIMONPALET **SIMONLEVER**



4500 kg
9950 lb

ALTILLOS Y PASILLOS ELEVADOS
PLATFORMS AND MEZZANINES
LAGERBÜHNEN • PLATES-FORMES ET MEZZANINES



www.simonrack.com • www.instructionsrack.com • bt4



* Kg / lb por bandeja con carga uniformemente repartida
Kg / lb per shelf uniformly distributed load
Kg / lb pro fach bei gleichmäßig verteilter Last
Kg / lb par plateau avec charge uniformément répartie