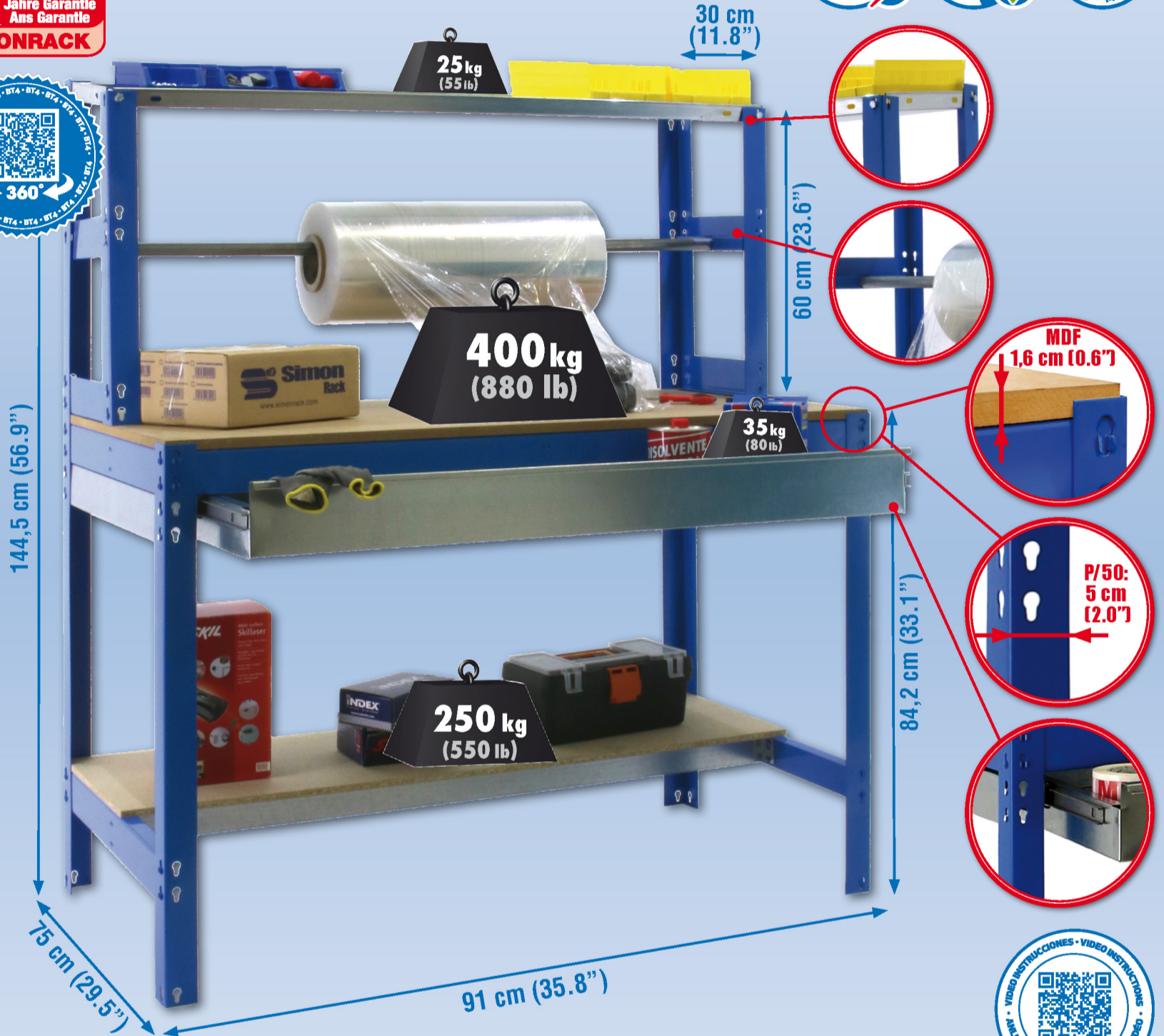


# SIMONWORK BT4 BOX 900



**144,5 x 91 x 75 cm**  
**56.9" x 35.8" x 29.5"**

**5** Años Garantía  
 Years Guarantee  
 Jahre Garantie  
 Ans Garantie  
**SIMONRACK**



- |  |  |   |                            |                   |   |
|--|--|---|----------------------------|-------------------|---|
| 2 x 56 cm (22.0")<br>2 x 84 cm (33.1")<br>2 x 144 cm (56.7") | 1 x 75x90 cm (29.5"x35.4")<br>1 x 40x90 cm (15.7"x35.4") | 3 x 90 cm (35.4")<br>4 x 75 cm (29.5")<br>2 x 30 cm (11.8") | 1 x 90x30 cm (35.4"x11.8") | 8 x               |   |
| 1 x 90 cm (35.4")  | 2 x 30 cm (11.8")  | 1 x 90 cm (35.4")   | 2 x 75 cm (29.5")          | 2 x 58 cm (22.8") | 1 x 35 kg (80 lb)<br>56x77 cm (22.0"x30.3") |



**Simon Rack**  
 SINCE 1964 - MANUFACTURER

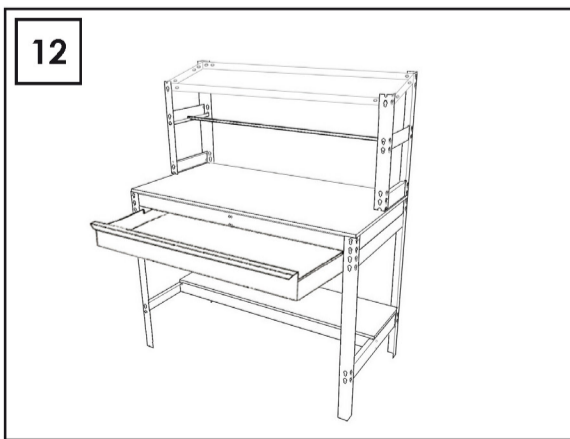
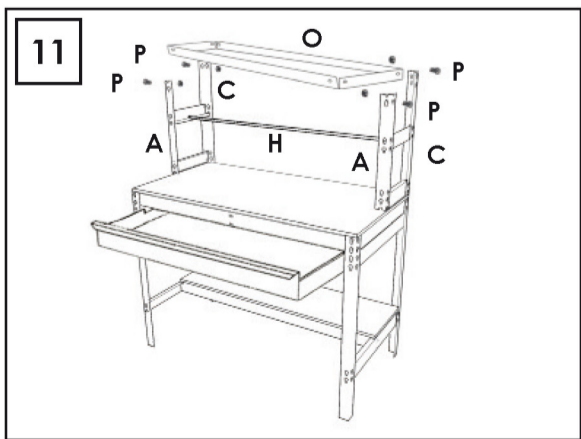
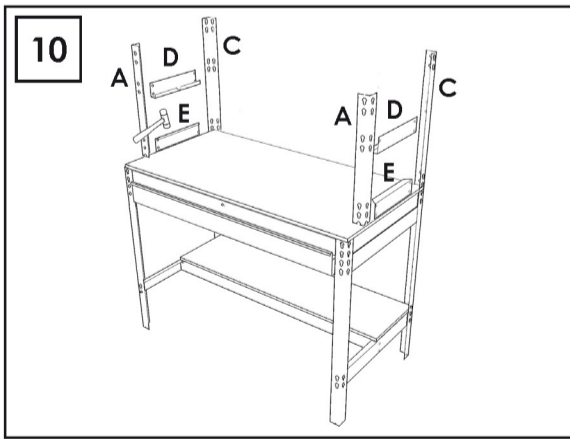
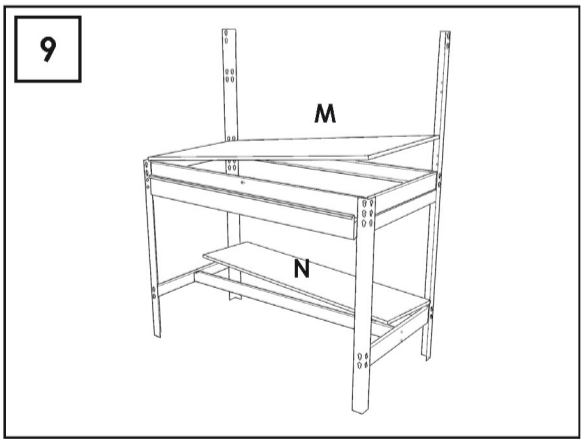
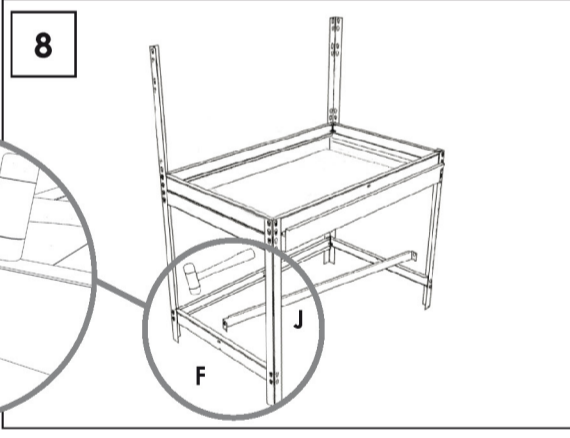
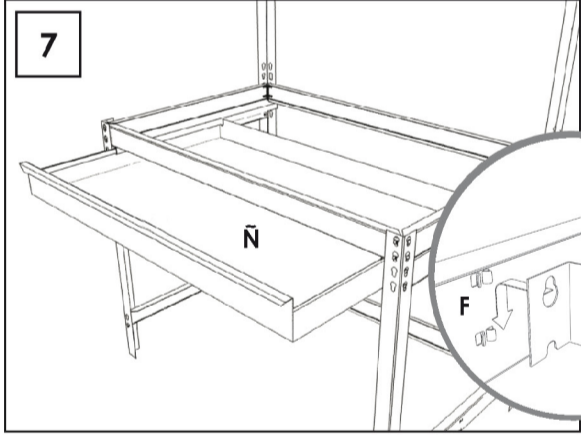
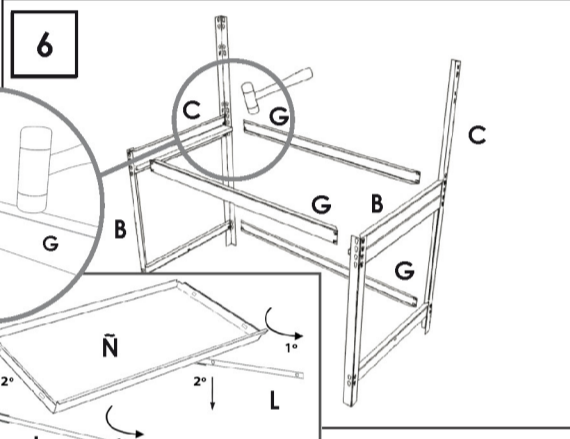
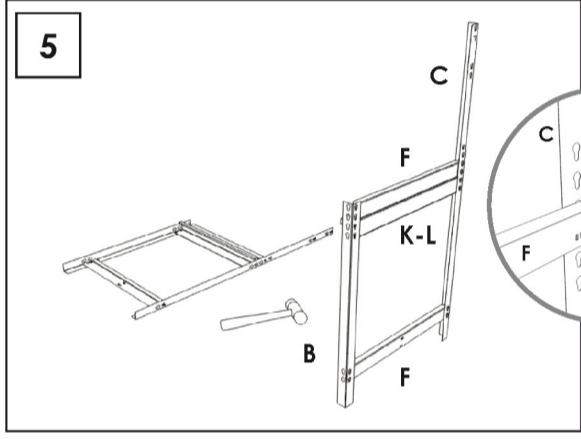
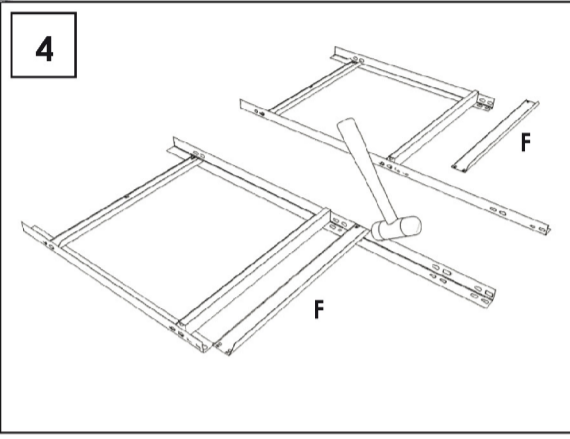
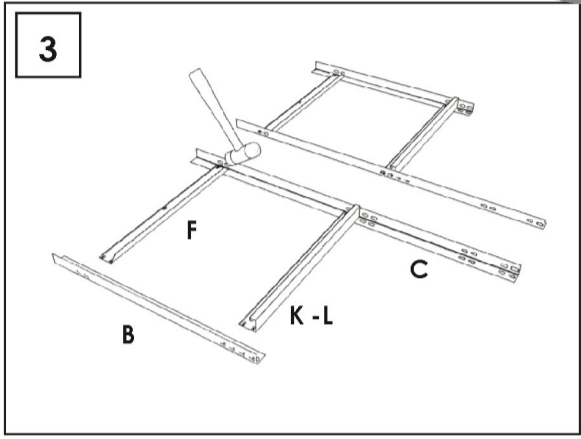
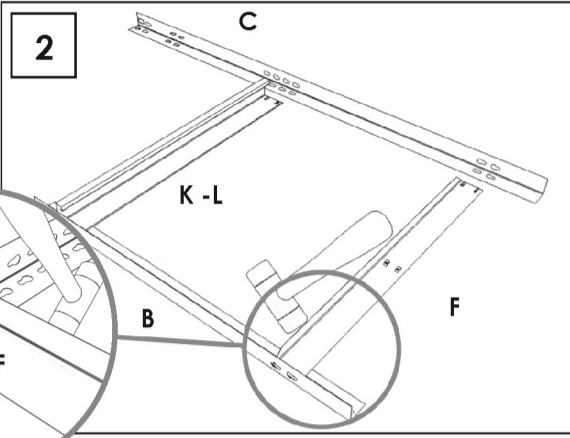
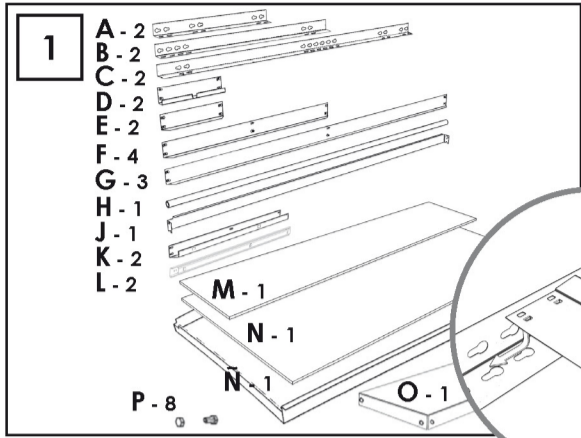
ESTANTERIAS SIMON S.L. B.50.556.463  
 PG. ALFAMEN C/ POLIGONO C. Nº3  
 ALFAMEN (ZARAGOZA)



[www.simonrack.com](http://www.simonrack.com)



INSTRUCCIONES  
 INSTRUCTIONS  
 ANLEITUNG  
 INSTRUCTIONS



www.simonrack.com • www.instructionsrack.com/bt4

**SIMONCLASSIC**



**SIMONCLICK**



**SIMONTALLER**



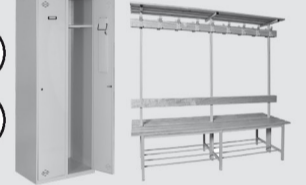
**SIMONAUTO**



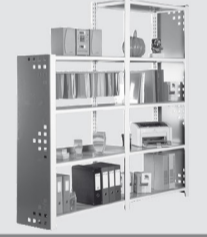
**SIMONWORK**



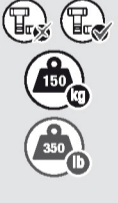
**SIMONLOCKER**



**SIMONOFFICE**



**SIMONHOME**



**SIMONGARDEN**

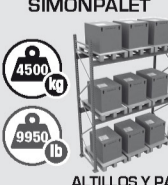


**SIMONTITÁN**

**SIMONINOX**



**SIMONINDUSTRIAL**



**SIMONLEVER**



ALTILLOS Y PASILLOS ELEVADOS  
PLATFORMS AND MEZZANINES  
LAGERBÜHNEN • PLATES-FORMES ET MEZZANINES



\* Kg / lb per bandeja con carga uniformemente repartida  
Kg / lb per shelf uniformly distributed load  
Kg / lb pro fach bei gleichmäßig verteilter last  
Kg / lb par plateau avec charge uniformément répartie

