


KIT BT-2 BOX 1200

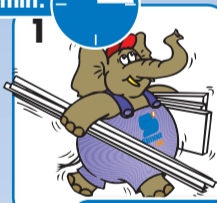
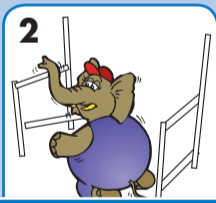




144 x 120 x 60 cm.
56,7 x 47,2 x 23,6 in.



- 1 x  120x60 cm.
47,2x23,6 in.
- 2 x  84 cm.
33,1 in.
- 2 x  144 cm.
56,7 in.
- 1 x  60x120 cm.
23,6x47,2 in.
- 1 x  35x120 cm.
13,8x47,2 in.
- 3 x  120 cm.
47,2 in.
- 4 x  60 cm.
23,6 in.
- 1 x  120 cm.
47,2 in.
- 1 x  60 cm.
23,6 in.
- 4 x  4 x
- 2 x  60 cm.
23,6 in.
- 1 x  35 kg.
77,2 lb.
49 x 111,5 cm.
19,3 x 43,9 in.

6 min. 

- 1 
- 2 
- 3 
- 4 

QR CODE VIDEO INSTRUCTIONS

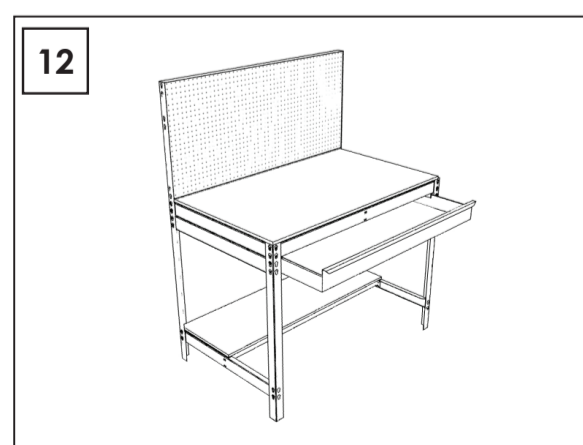
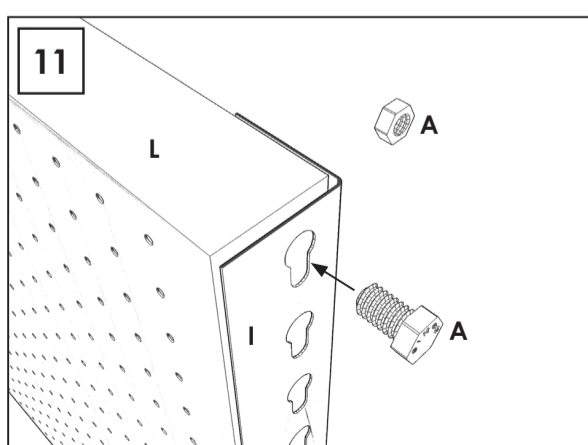
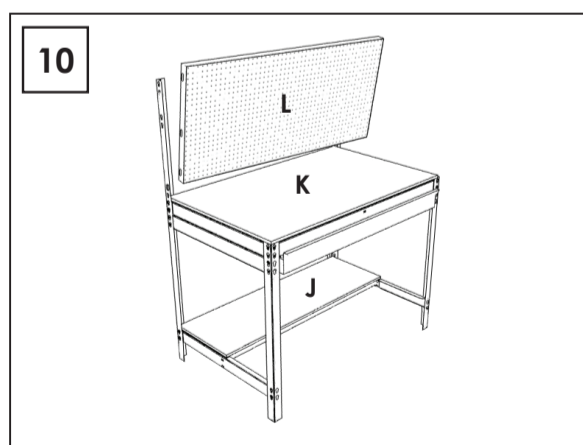
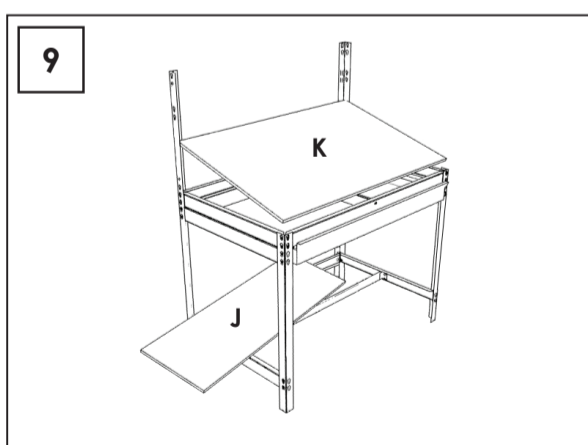
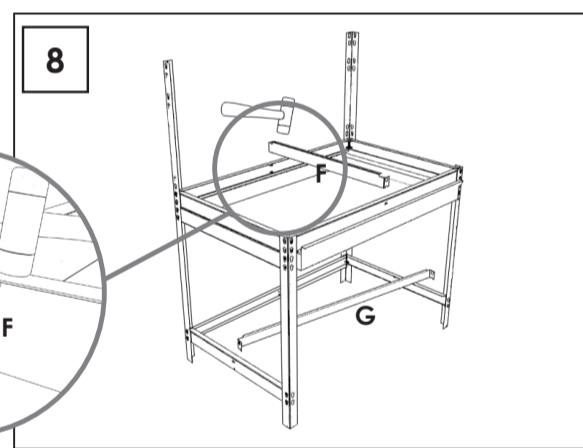
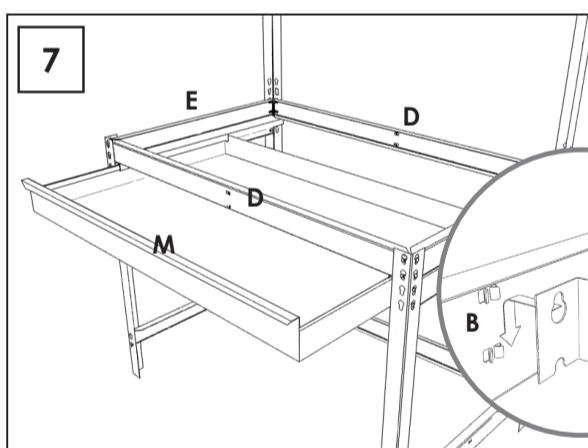
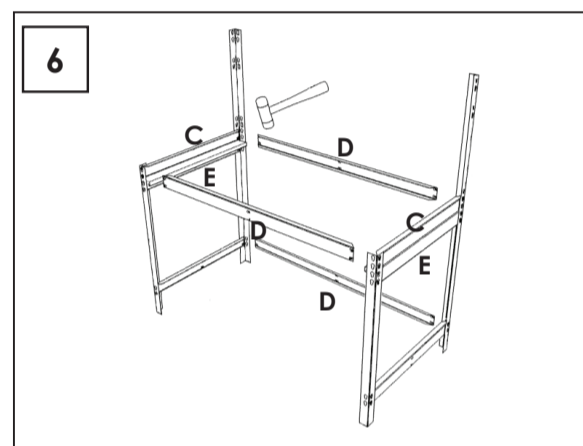
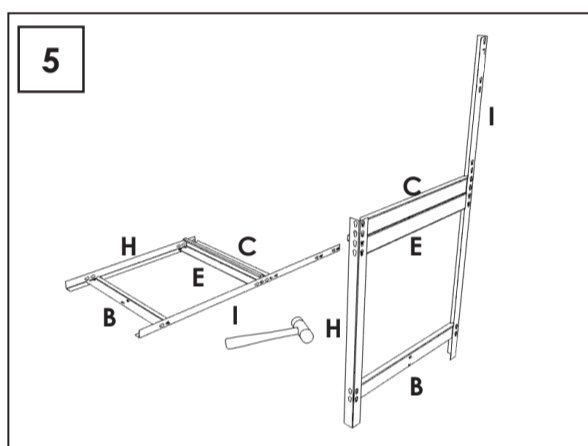
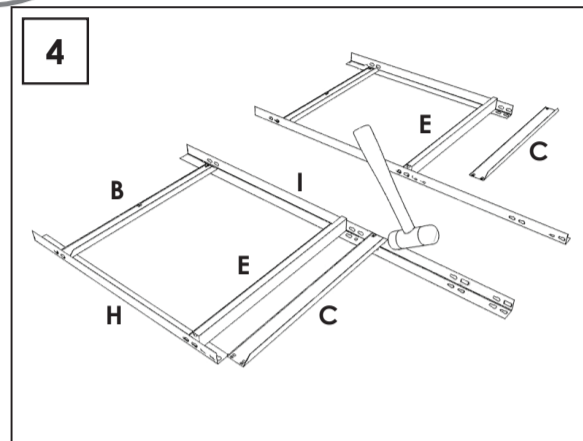
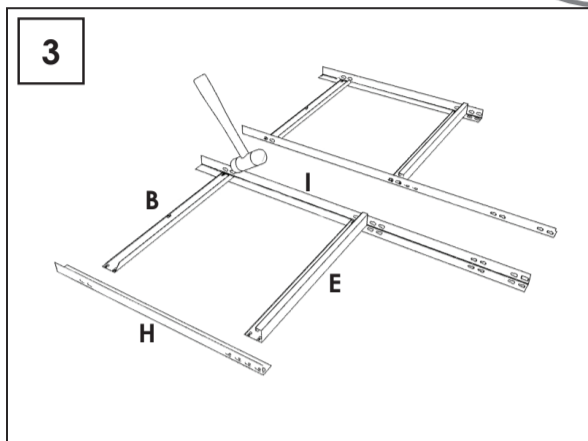
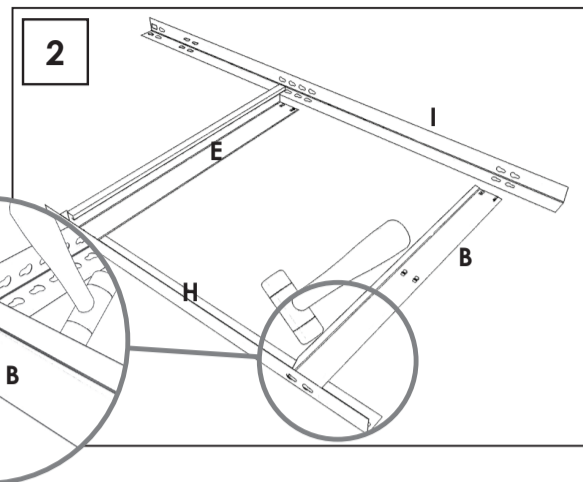
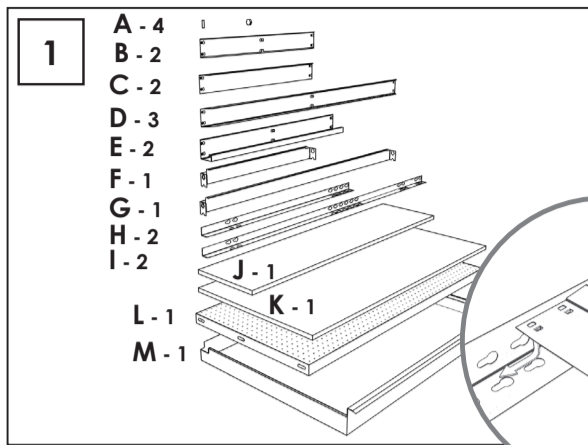
On-line instructions: www.instructionsrack.com/bt2box



www.simonrack.com **MADE IN SPAIN**



INSTRUCTIONS



SIMONCLASSIC



SIMONCLICK



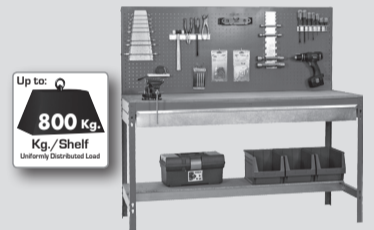
SIMONOFFICE



SIMONTALLER



BANCOS DE TRABAJO



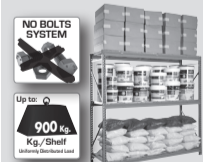
SIMONHOME



TAQUILLAS



SIMONTITÁN



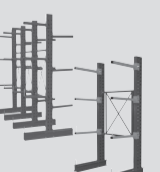
SIMONINOX



SIMONPALET



SIMONLEVER



ALTILLOS Y PASILLOS ELEVADOS

