

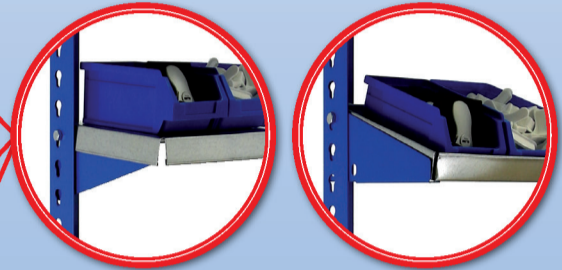
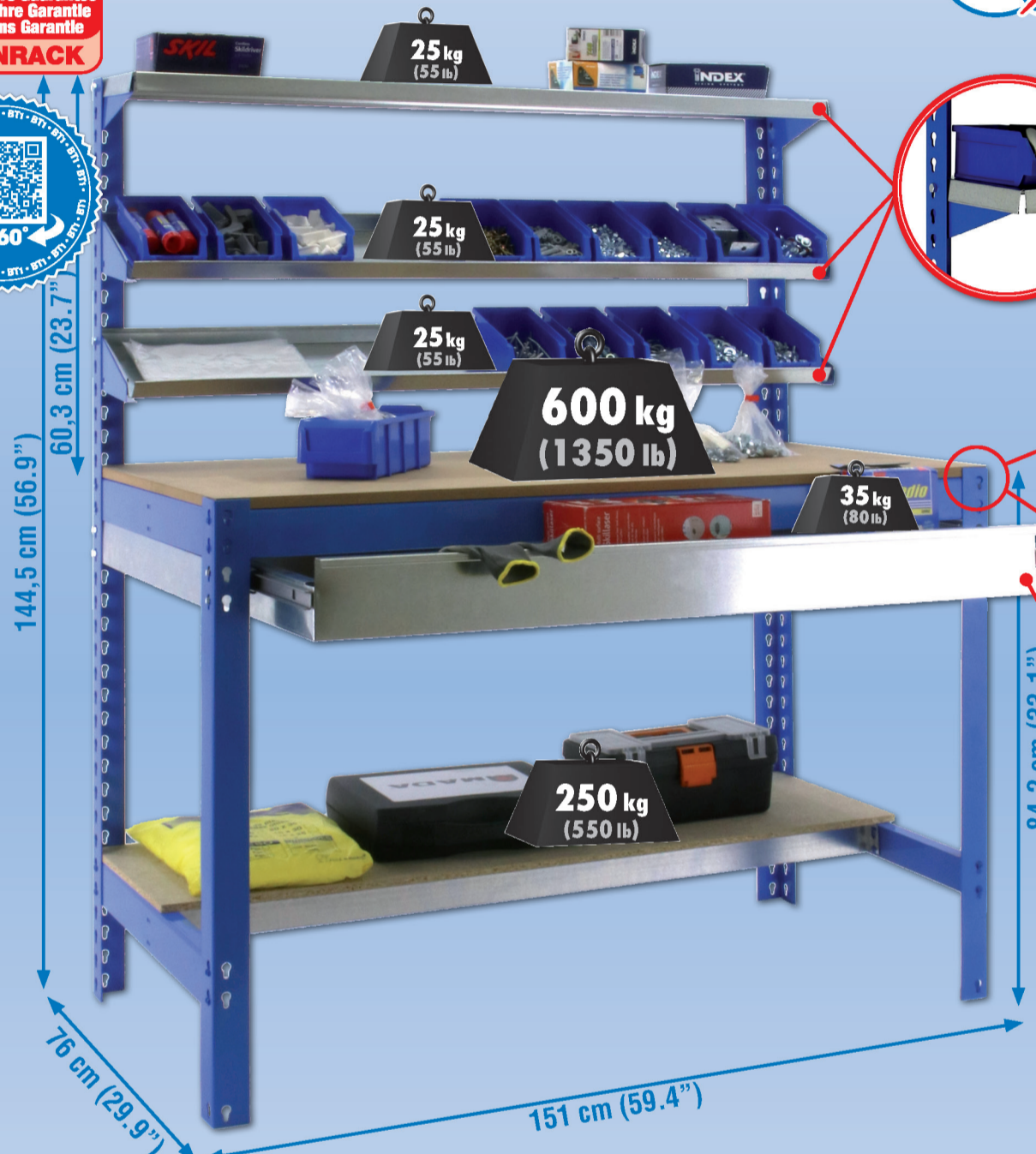
SIMONWORK BT1 BOX 1500



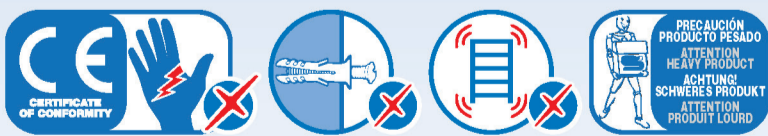
144,5 x 151 x 76 cm
56.9" x 59.4" x 29.9"



5 Años Garantía
 Years Guarantee
 Jahre Garantie
 Ans Garantie
SIMONRACK



- 2 x 144 cm (56.7")
- 2 x 84 cm (33.1")
- 1 x 75x150 cm (29.5"x59.1") MDF
- 1 x 40x150 cm (15.7"x59.1")
- 4 x 75 cm (29.5")
- 3 x 150 cm (59.1")
- 6 x 9,5x19 cm (3.7"x7.5")
- 1 x 150 cm (59.1")
- 1 x 75 cm (29.5")
- 3 x 150x20 cm (59.1"x7.9")
- 6 x
- 2 x 75 cm (29.5")
- 2 x 58 cm (22.8")
- 1 x 35 kg (80 lb)
- 56x137 cm (22.0"x53.9")



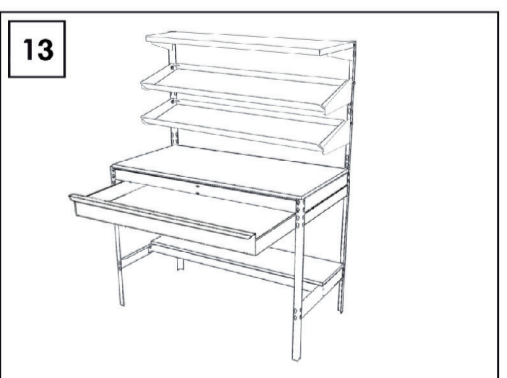
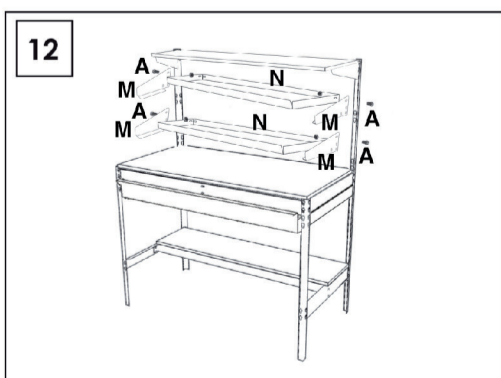
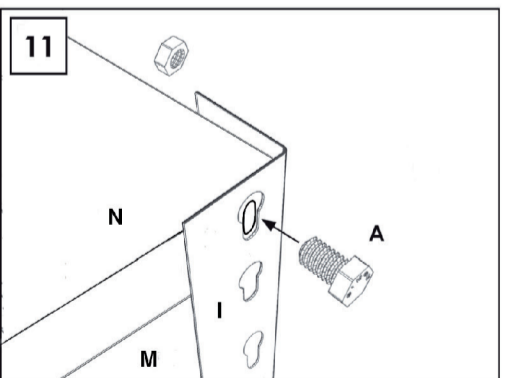
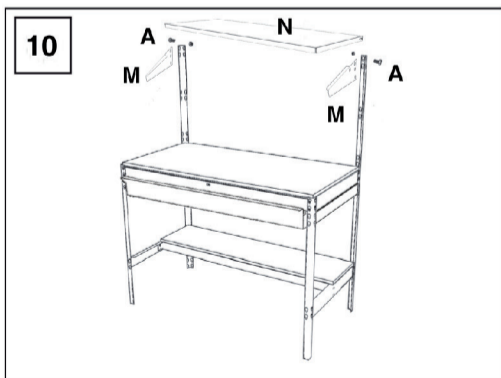
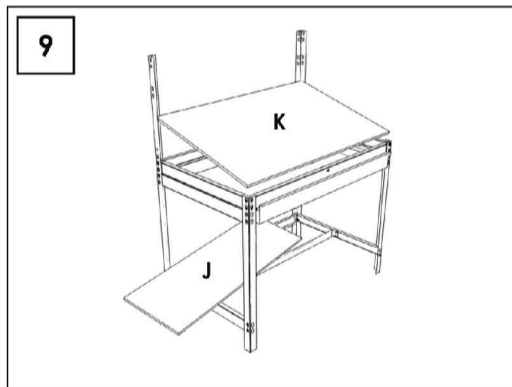
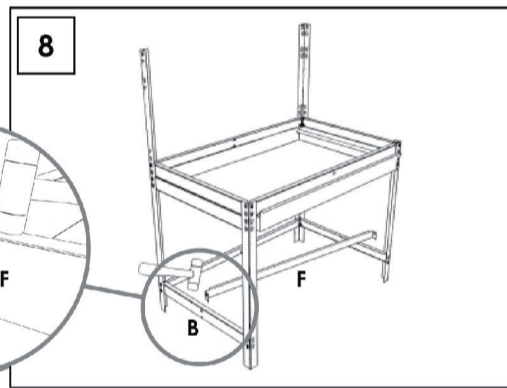
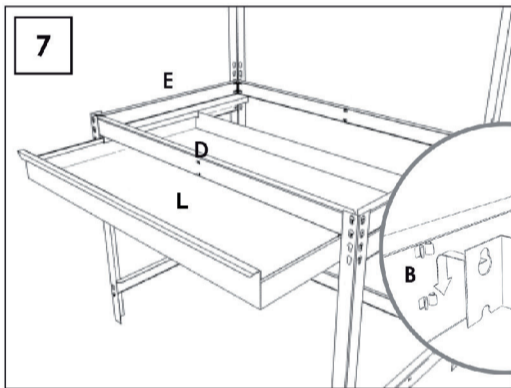
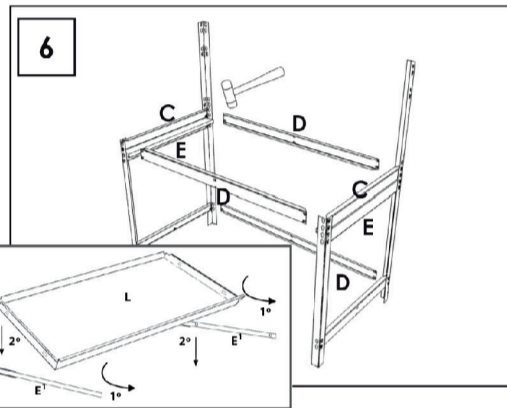
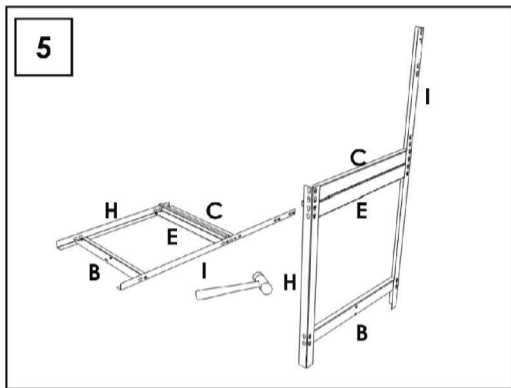
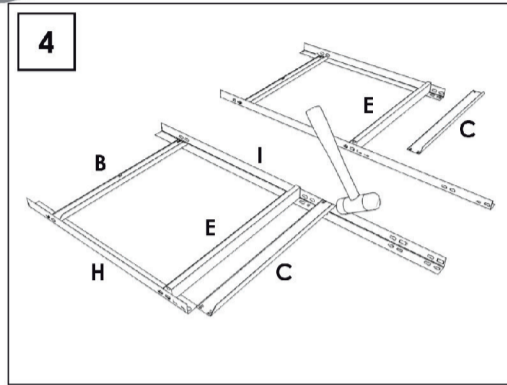
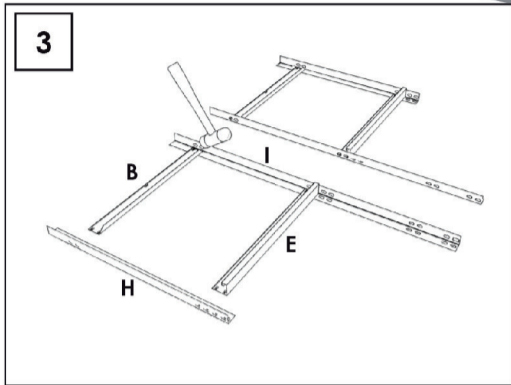
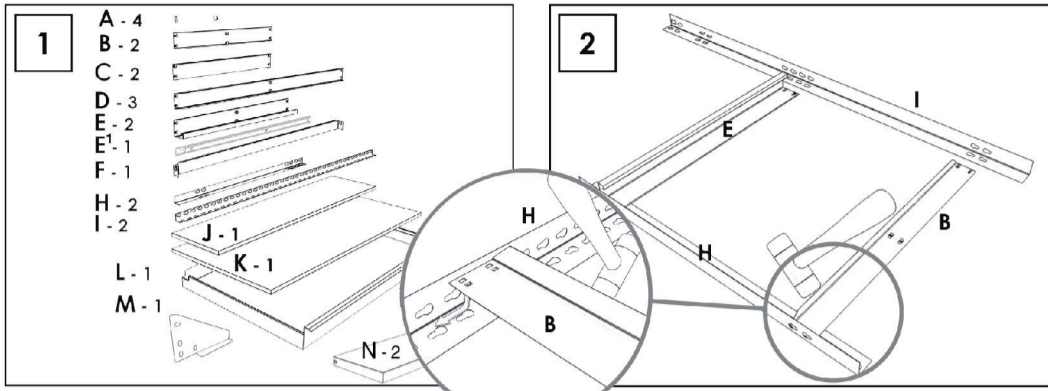
ESTANTERIAS SIMON S.L. B.50.556.463
 PG. ALFAMEN C/ POLIGONO C. Nº3
 ALFAMEN (ZARAGOZA)



www.simonrack.com



INSTRUCCIONES
 INSTRUCTIONS
 ANLEITUNG
 INSTRUCTIONS



SIMONCLASSIC

150 kg / 330 lb

SIMONCLICK

400 kg / 900 lb

SIMONTALLER

700 kg / 1550 lb

SIMONAUTO

300 kg / 660 lb

SIMONWORK

800 kg / 1800 lb

SIMONLOCKER

SIMONOFFICE

275 kg / 600 lb

SIMONHOME

150 kg / 330 lb

SIMONGARDEN

600 kg / 1350 lb

SIMONTITÁN **SIMONINOX**

900 kg / 1990 lb

SIMONINDUSTRIAL

SIMONPALET **SIMONLEVER**

4500 kg / 9950 lb

ALTILLOS Y PASILLOS ELEVADOS
PLATFORMS AND MEZZANINES
LAGERBÜHNEN • PLATES-FORMES ET MEZZANINES

www.simonrack.com • www.simonrack.com • www.simonrack.com • www.simonrack.com • www.simonrack.com • www.simonrack.com • www.simonrack.com • www.simonrack.com • www.simonrack.com • www.simonrack.com

* Kg / lb por bandeja con carga uniformemente repartida
Kg / lb per shelf uniformly distributed load
Kg / lb pro fach bei gleichmäßig verteilter last
Kg / lb par plateau avec charge uniformément répartie