

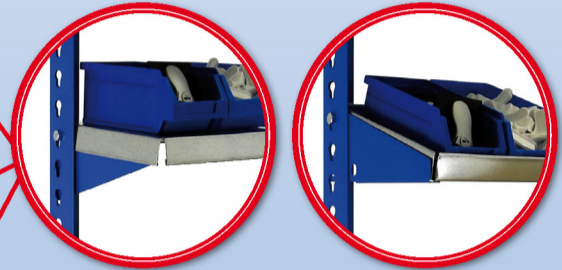
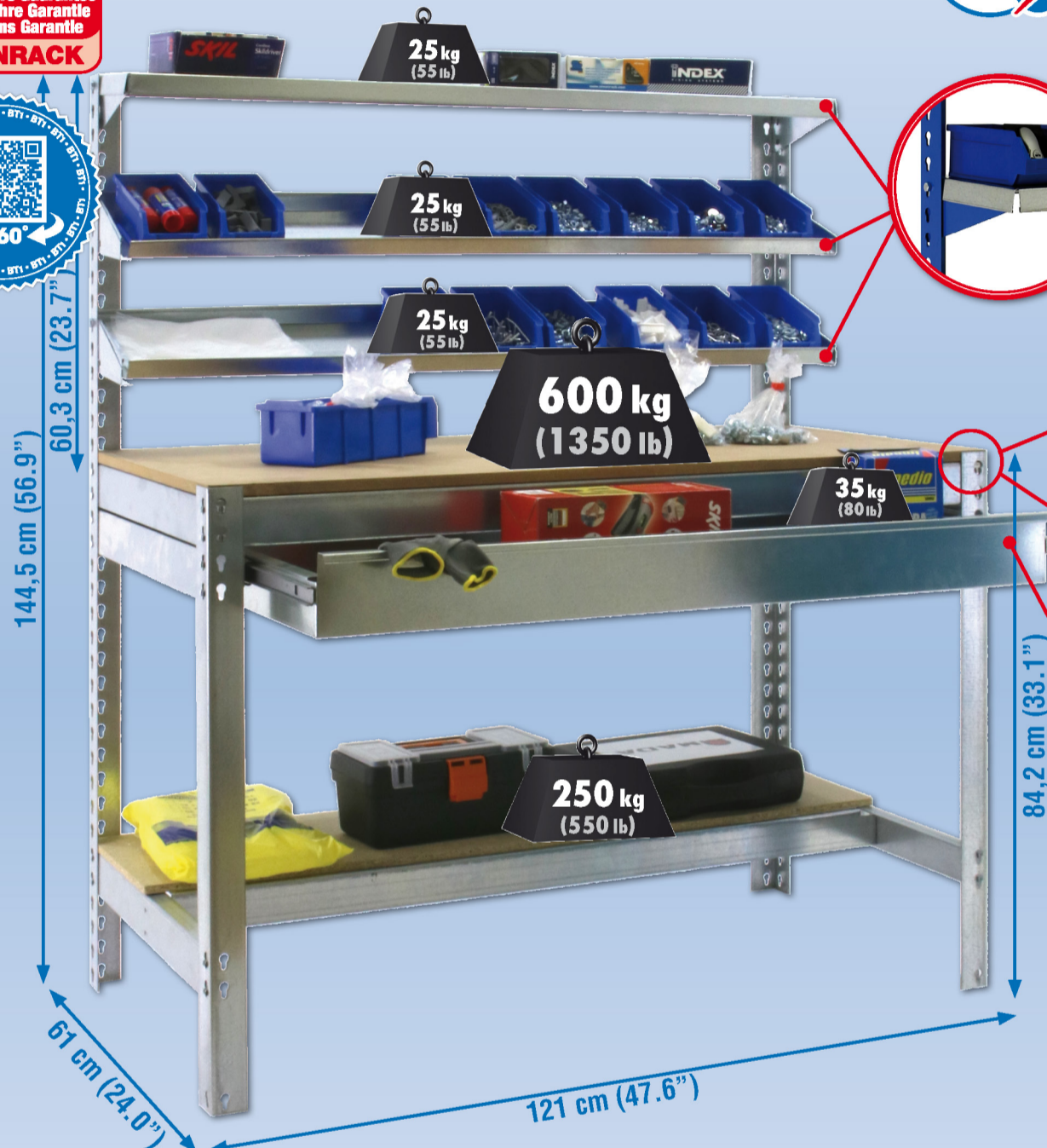
SIMONWORK BT1 BOX 1200



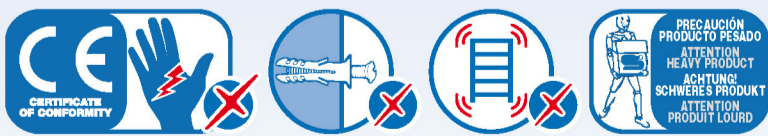
144,5 x 121 x 61 cm
56.9" x 47.6" x 24.0"



5 Años Garantía
 Years Guarantee
 Jahre Garantie
 Ans Garantie
SIMONRACK



- | | | | | | | |
|------------------------|-----------------------|--|---------------------------------|-----------------------|------------------------|---|
| 2 x
144 cm
56.7" | 2 x
84 cm
33.1" | 1 x
MDF
60x120 cm
23.6"x47.2" | 1 x
35x120 cm
13.8"x47.2" | 4 x
60 cm
23.6" | 3 x
120 cm
47.2" | 6 x
9,5x19 cm
3.7"x7.5" |
| 1 x
120 cm
47.2" | 1 x
60 cm
23.6" | 3 x
120x20 cm
47.2"x7.9" | 6 x | 2 x
60 cm
23.6" | 2 x
58 cm
22.8" | 1 x
35 kg
(80 lb)
56x107 cm
22.0"x42.1" |



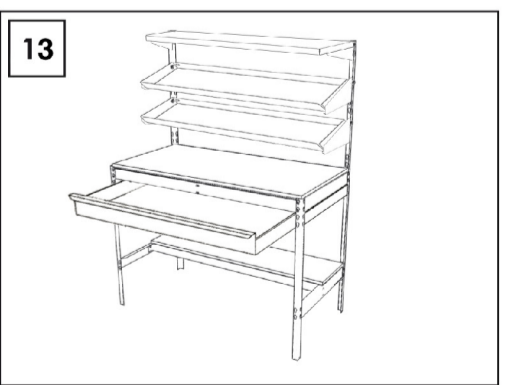
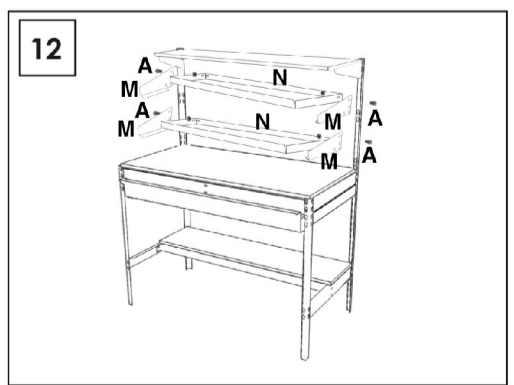
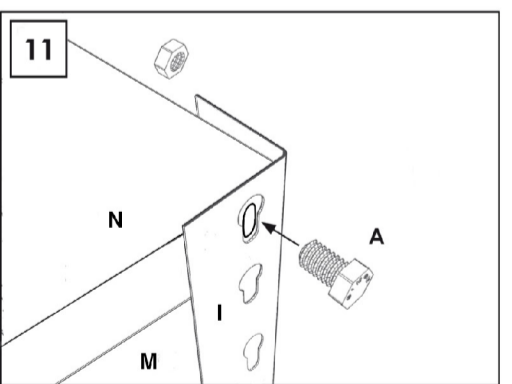
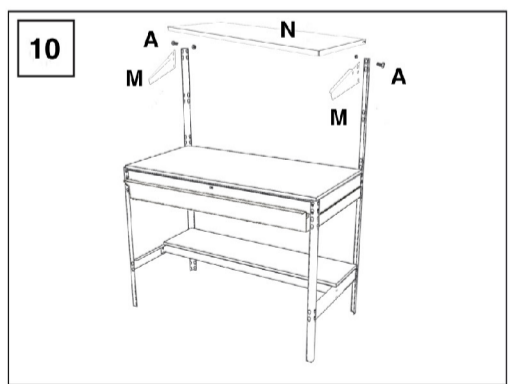
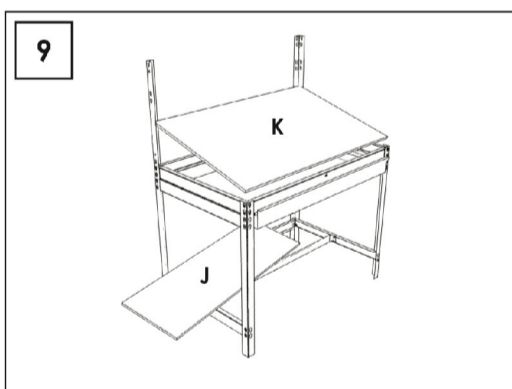
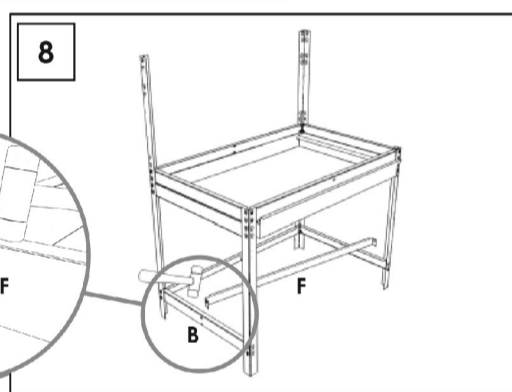
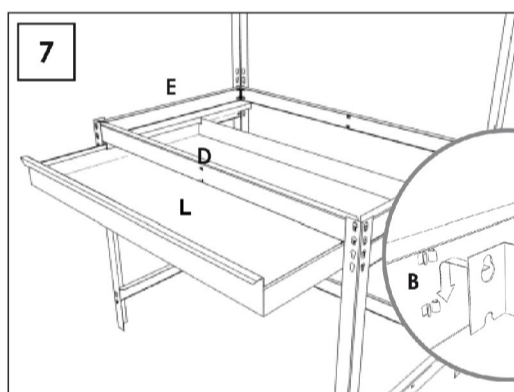
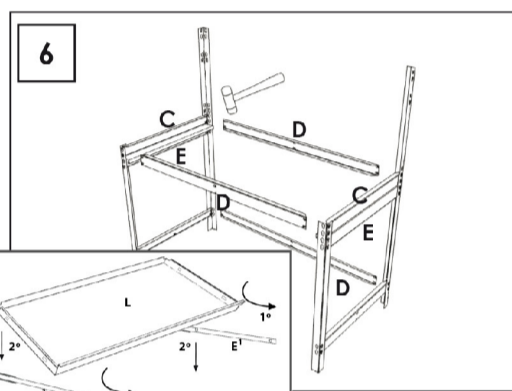
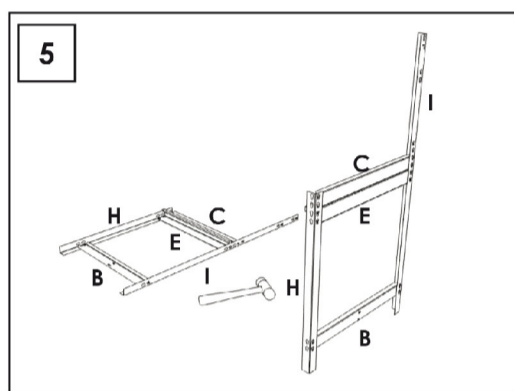
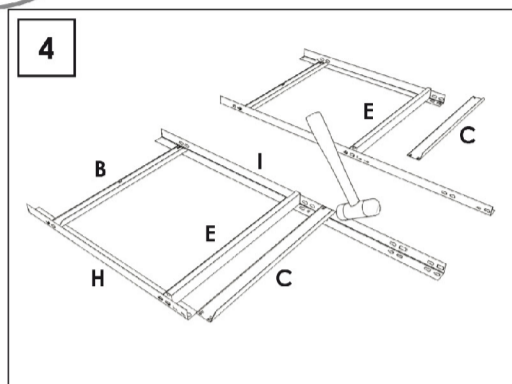
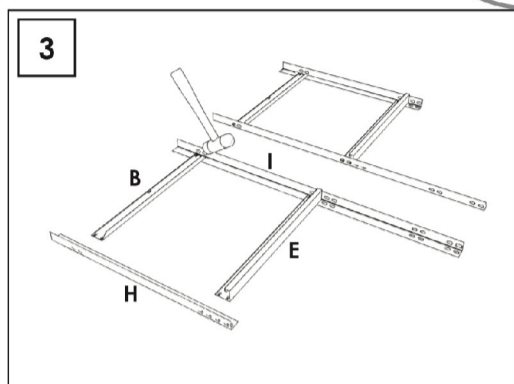
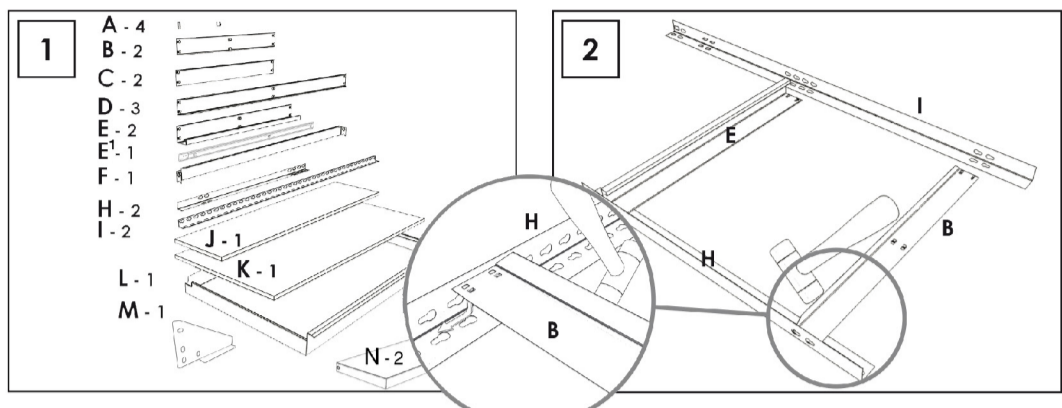
ESTANTERIAS SIMON S.L. B.50.556.463
 PG. ALFAMEN C/ POLIGONO C. Nº3
 ALFAMEN (ZARAGOZA)



www.simonrack.com



INSTRUCCIONES
 INSTRUCTIONS
 ANLEITUNG
 INSTRUCTIONS



SIMONCLASSIC

150 kg
350 lb

SIMONCLICK

400 kg
900 lb

SIMONTALLER

700 kg
1550 lb

SIMONAUTO

300 kg
660 lb

SIMONWORK

800 kg
1800 lb

SIMONLOCKER

SIMONOFFICE

275 kg
600 lb

SIMONHOME

150 kg
350 lb

SIMONGARDEN

600 kg
1350 lb

SIMONTITÁN **SIMONINOX**

900 kg
1990 lb

SIMONINDUSTRIAL

SIMONPALET **SIMONLEVER**

4500 kg
9950 lb

ALTILOS Y PASILLOS ELEVADOS
PLATFORMS AND MEZZANINES
LAGERBÜHNEN • PLATES-FORMES ET MEZZANINES

* Kg / lb por bandeja con carga uniformemente repartida
Kg / lb per shelf uniformly distributed load
Kg / lb pro fach bei gleichmäßig verteilter last
Kg / lb par plateau avec charge uniformément répartie

www.simonrack.com • www.simonrack.com • www.simonrack.com • www.simonrack.com • www.simonrack.com • www.simonrack.com

