

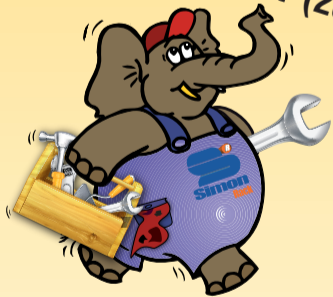
200 x 120 x 60 cm.

78,7 x 47,2 x 23,6 in.

BRICOFORTE 1206-5



Chipboard



9 min.



VIDEO INSTRUCTIONS

On-line instructions: www.instructionsrack.com/bricofortechipboard



www.simonrack.com



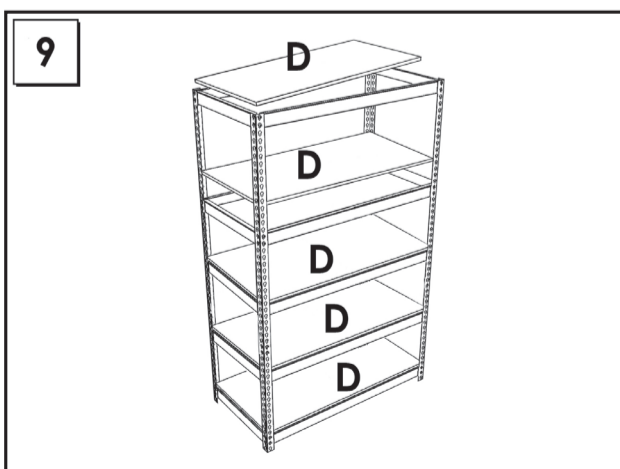
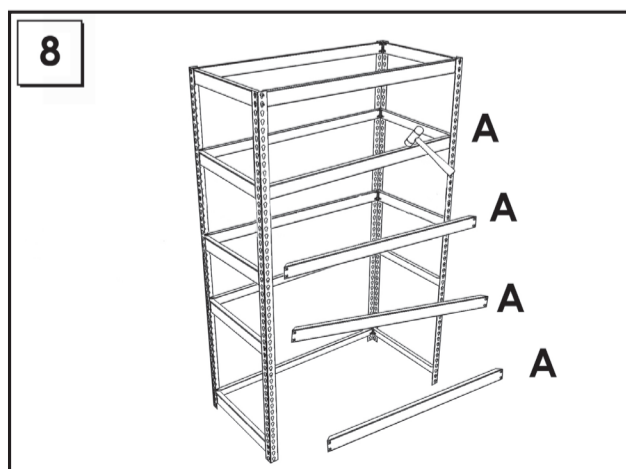
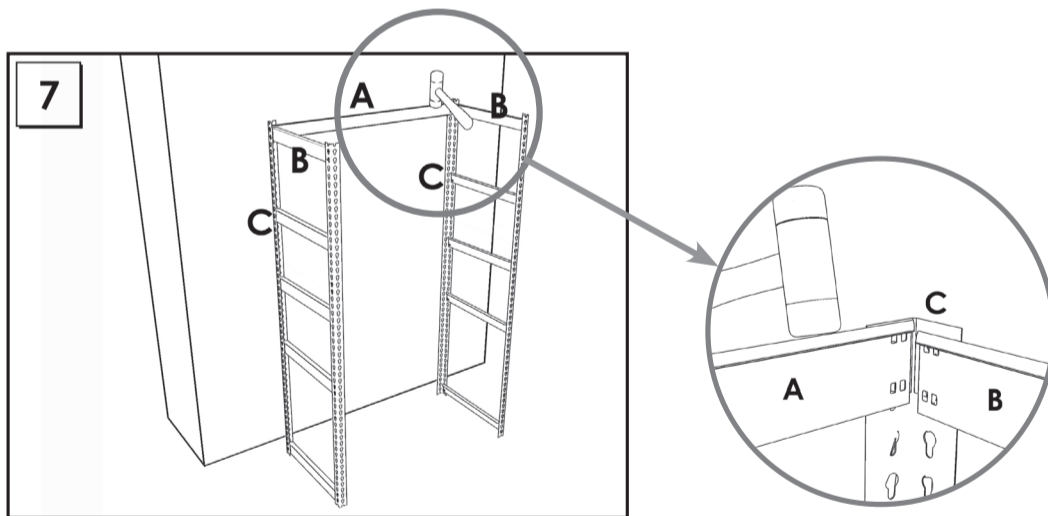
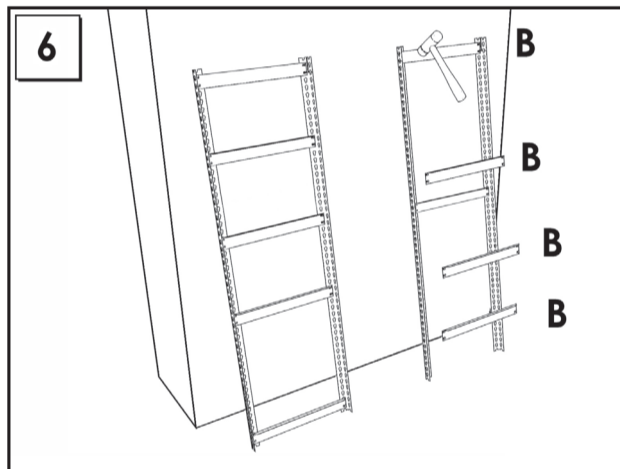
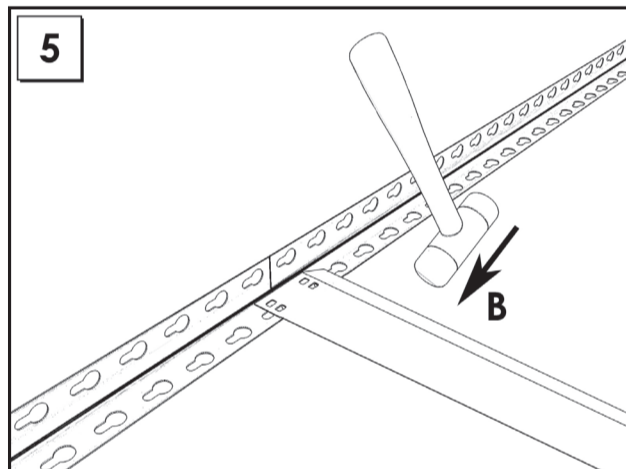
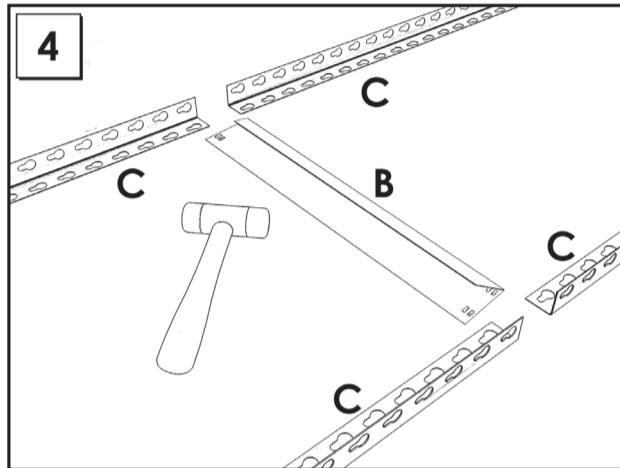
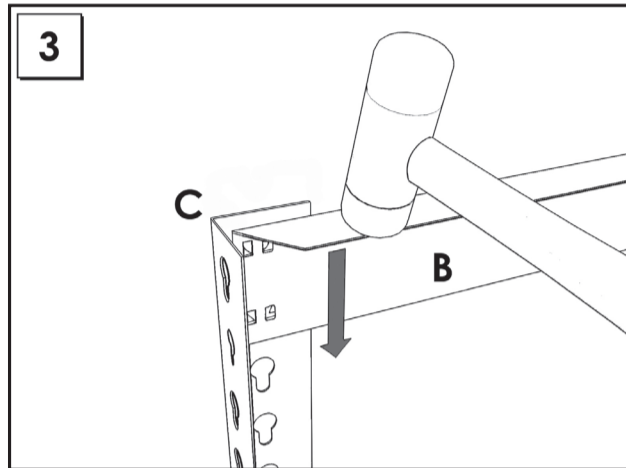
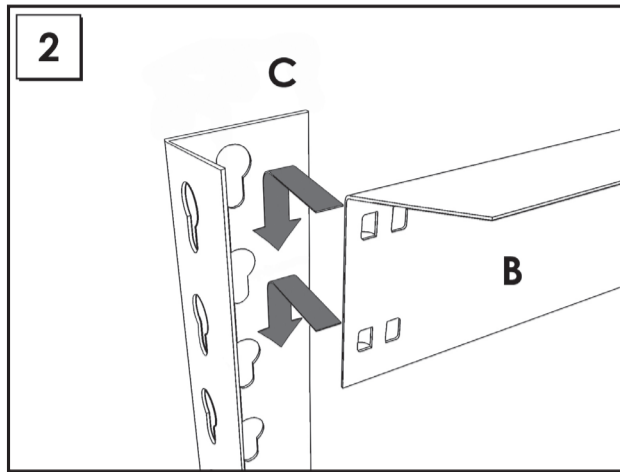
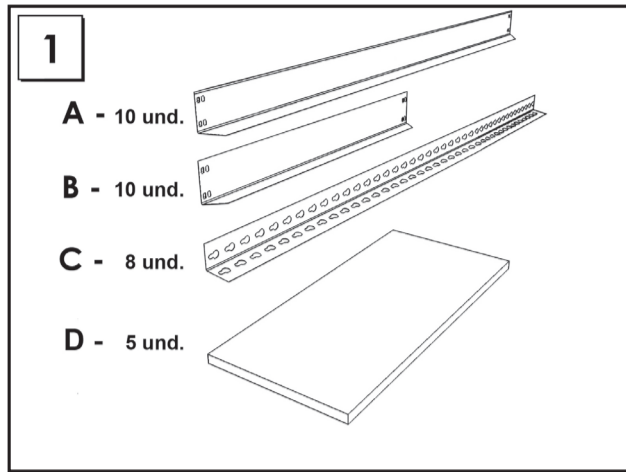
www.simonrack.com

MADE IN SPAIN



Management System
ISO 9001:2008
www.tuv.com
ID 9105944225

INSTRUCTIONS



www.simonrack.com • www.instructionsrack.com • www.bricofortechipboard.com

SIMONCLASSIC

BOLTS SYSTEM

Up to: **100 Kg.**
 Kg./Shelf
 Uniformly Distributed Load



SIMONCLICK

NO BOLTS SYSTEM

Up to: **180 Kg.**
 Kg./Shelf
 Uniformly Distributed Load



SIMONOFFICE

NO BOLTS SYSTEM

Up to: **275 Kg.**
 Kg./Shelf
 Uniformly Distributed Load



SIMONTALLER

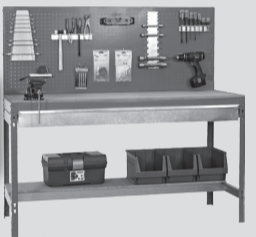
NO BOLTS SYSTEM

Up to: **600 Kg.**
 Kg./Shelf
 Uniformly Distributed Load



BANCOS DE TRABAJO

Up to: **800 Kg.**
 Kg./Shelf
 Uniformly Distributed Load



SIMONHOME

Up to: **150 Kg.**
 Kg./Shelf
 Uniformly Distributed Load



TAQUILLAS



SIMONTITÁN

NO BOLTS SYSTEM

Up to: **900 Kg.**
 Kg./Shelf
 Uniformly Distributed Load



SIMONINOX

NO BOLTS SYSTEM



SIMONPALET

Up to: **4500 Kg.**
 Kg./Shelf
 Uniformly Distributed Load



SIMONLEVER



ALTILLOS Y PASILLOS ELEVADOS

