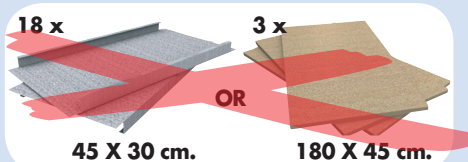


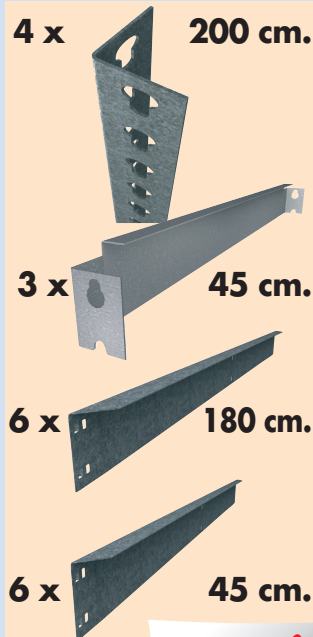
**200 x 180 x 45 cm.**



NOT INCLUDED:

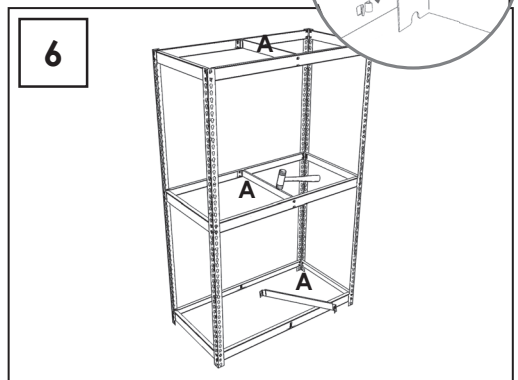
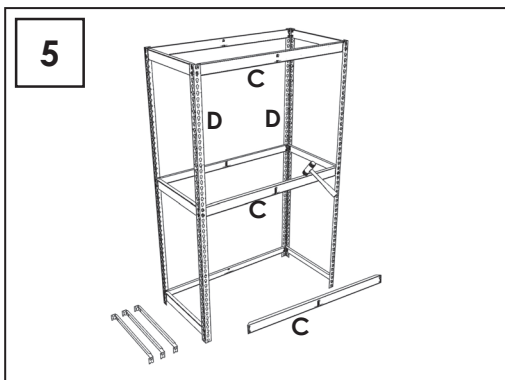
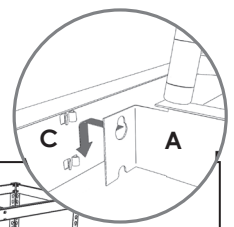
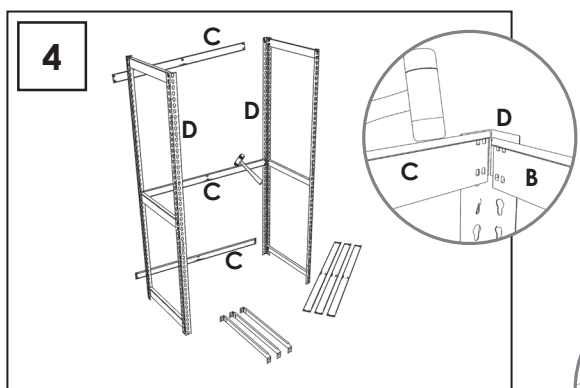
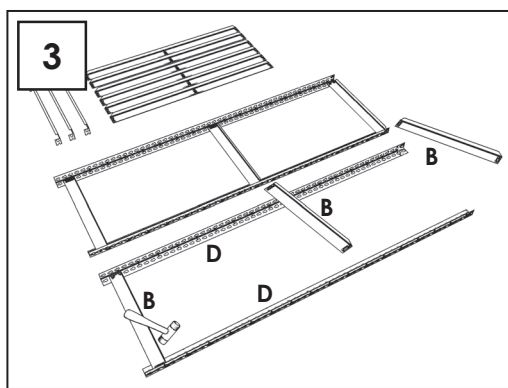
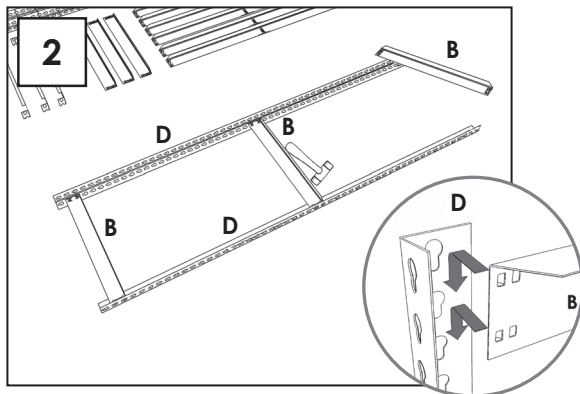
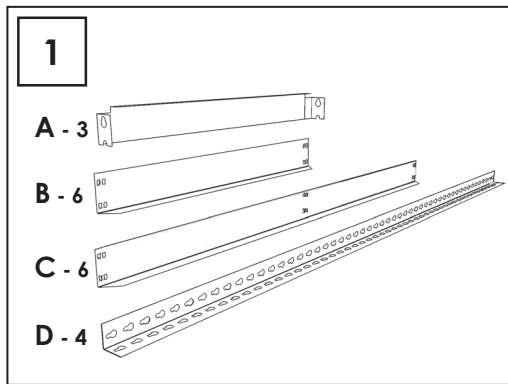


9 min.



GALVANIZADO





On-line instructions: [www.simonrack.com/instructions](http://www.simonrack.com/instructions) LOGIN: 196004

[www.simonrack.com](http://www.simonrack.com) • [www.simonrack.com](http://www.simonrack.com) • [www.simonrack.com](http://www.simonrack.com) • [www.simonrack.com](http://www.simonrack.com)

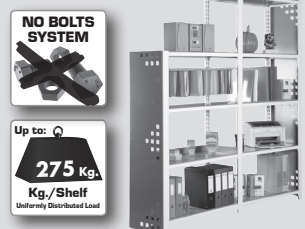
**SIMONCLASSIC**



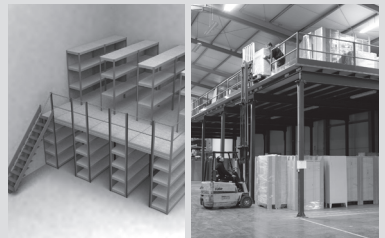
**SIMONCLICK**



**OFFIClick**



**SIMONFORTE**



**SIMONCROMO**



**SIMONINOX**



**SIMONTITÁN**



**SIMONPALET**



**SIMONLEVER**

