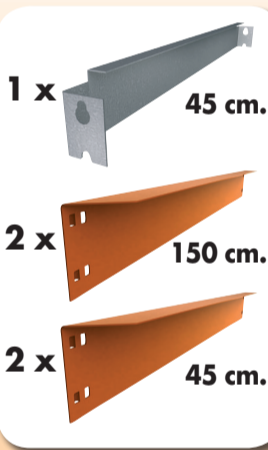
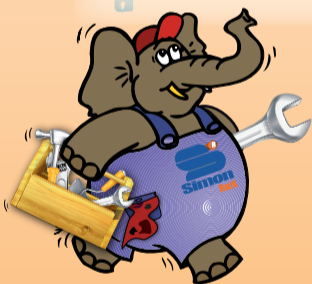
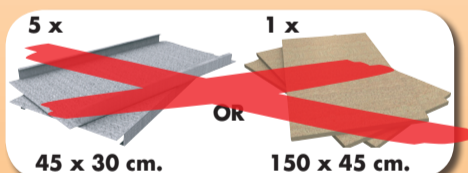


## Additional Shelf

**150 x 45 cm.**



NOT INCLUDED:



5 min.



VIDEO INSTRUCTIONS

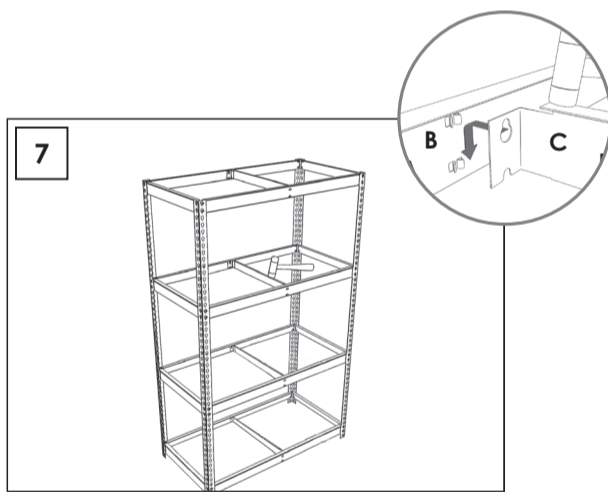
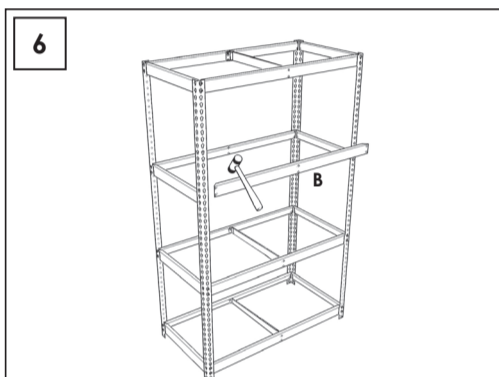
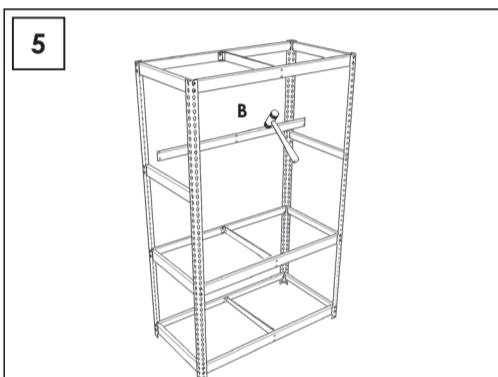
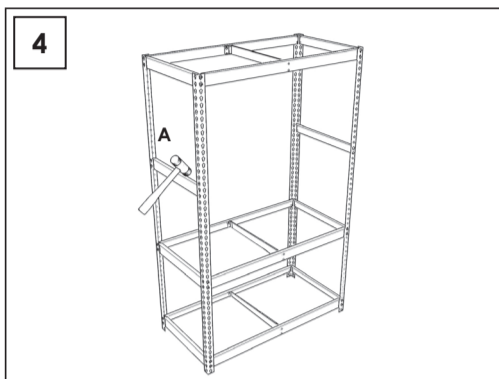
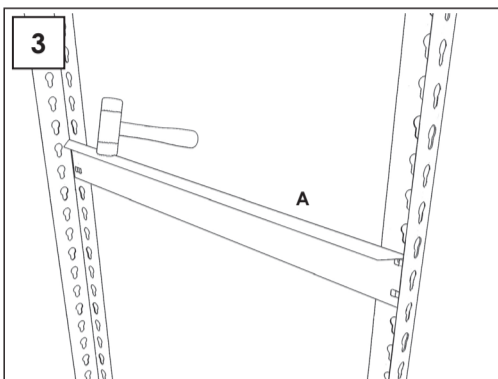
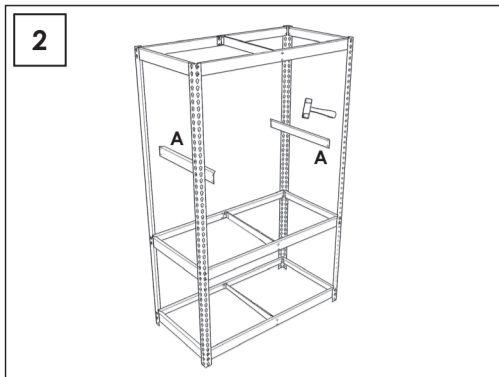
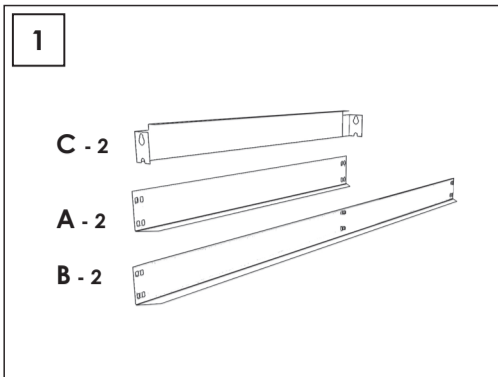
On-line instructions: [www.instructionsrack.com/simontaller](http://www.instructionsrack.com/simontaller)



MADE IN SPAIN



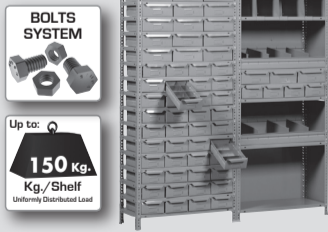
Management System  
ISO 9001:2008  
www.siv.com  
P. 91094028



On-line instructions: [www.instructionsrack.com/simontaller](http://www.instructionsrack.com/simontaller)

[www.simonrack.com](http://www.simonrack.com) • [www.simonrack.com](http://www.simonrack.com) • [www.simonrack.com](http://www.simonrack.com) • [www.simonrack.com](http://www.simonrack.com)

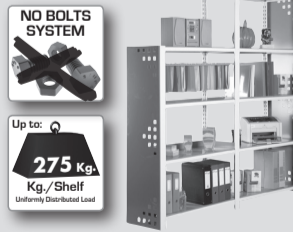
**SIMONCLASSIC**



**SIMONCLICK**



**OFFCLICK**



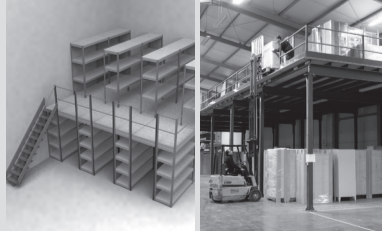
**SIMONTALLER**



**BANCOS DE TRABAJO**



**ALTILLOS Y PASILLOS ELEVADOS**



**SIMONHOME**



**TAQUILLAS**



**SIMONINOX**



**SIMONTITÁN**



**SIMONPALET**



**SIMONLEVER**

