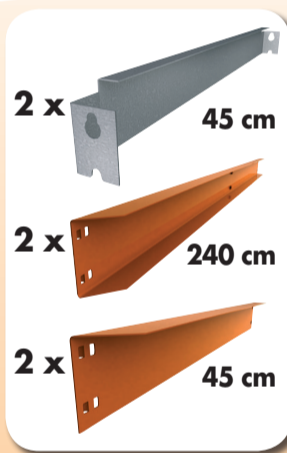
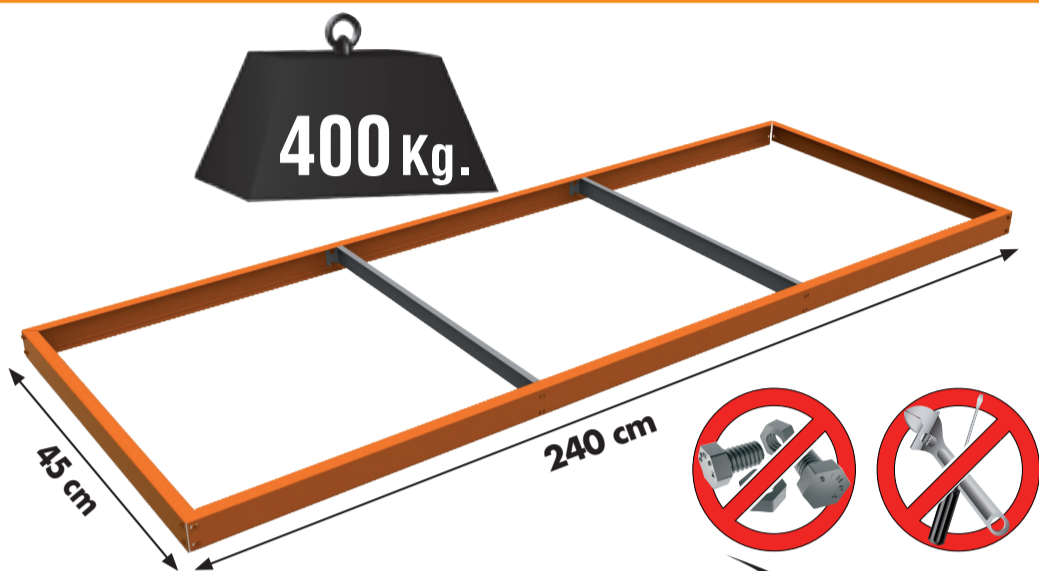
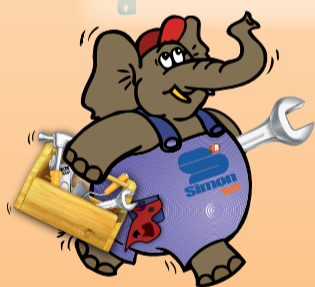
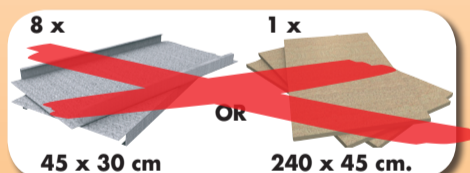


## Additional Shelf

**240 x 45 cm**



**NOT INCLUDED:**



5 min.



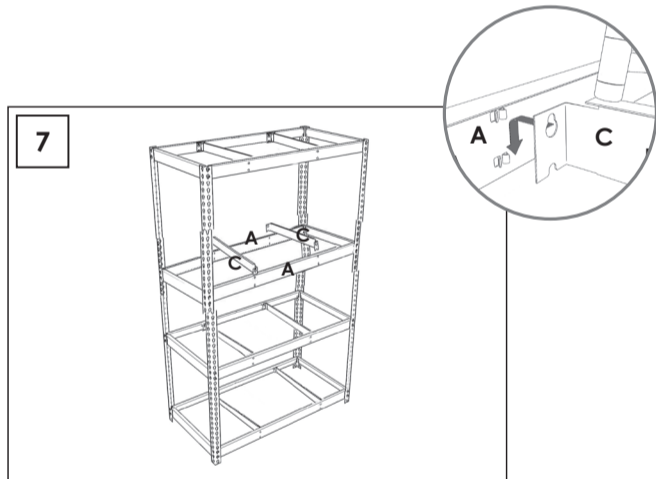
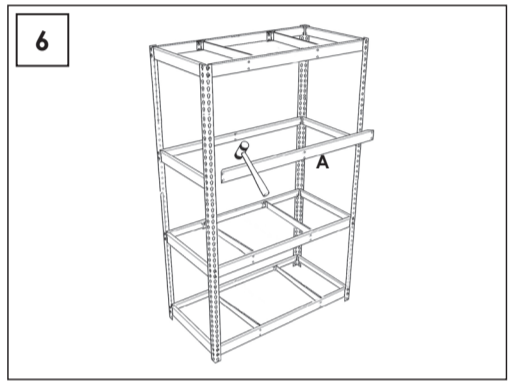
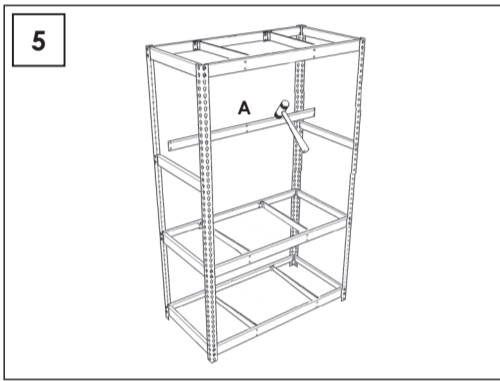
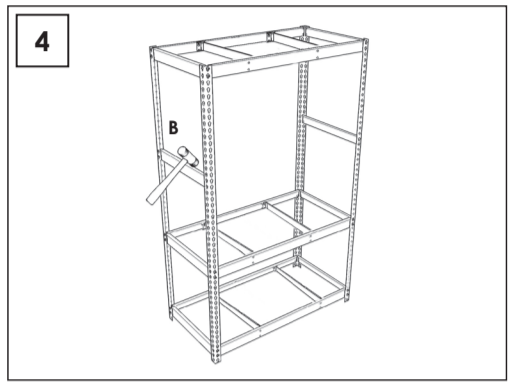
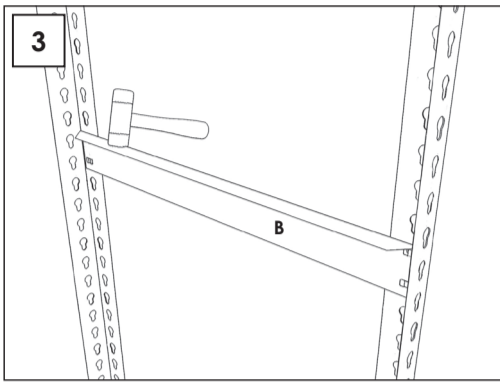
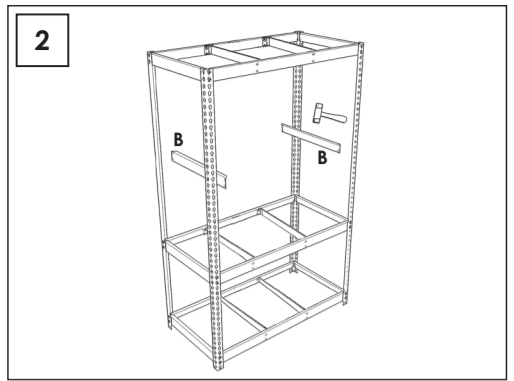
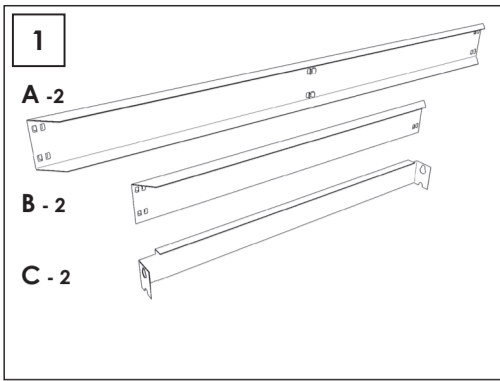
VIDEO INSTRUCTIONS

On-line instructions: [www.instructionsrack.com/simontaller](http://www.instructionsrack.com/simontaller)



MADE IN SPAIN

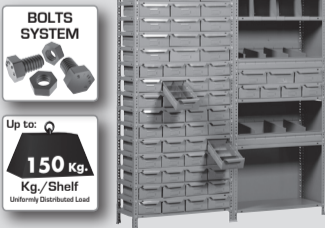




On-line instructions: [www.instructionsrack.com/simontaller](http://www.instructionsrack.com/simontaller)

[www.simonrack.com](http://www.simonrack.com) • [www.simonrack.com](http://www.simonrack.com) • [www.simonrack.com](http://www.simonrack.com) • [www.simonrack.com](http://www.simonrack.com)

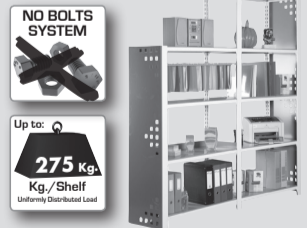
**SIMONCLASSIC**



**SIMONCLICK**



**OFFCLICK**



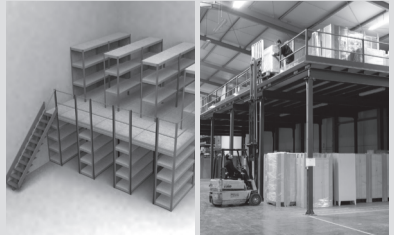
**SIMONTALLER**



**BANCOS DE TRABAJO**



**ALTILLOS Y PASILLOS ELEVADOS**



**SIMONHOME**



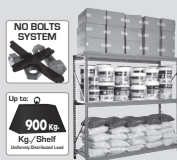
**TAQUILLAS**



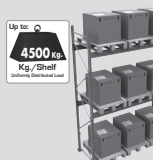
**SIMONINOX**



**SIMONTITÁN**



**SIMONPALET**



**SIMONLEVER**

