



# SIMONFORTE ST 1509-3

**200 x 150 x 90 cm.**  
**78,7 x 59 x 35,4 in.**



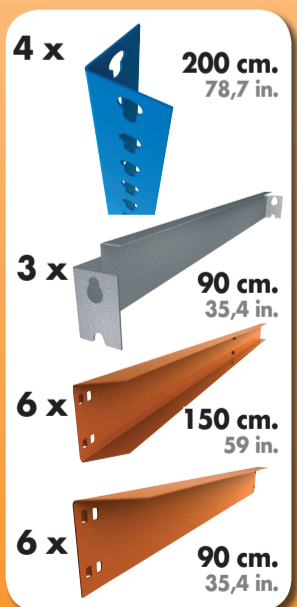
**NOT INCLUDED:**



**9 min.**



On-line instructions: [www.instructionsrack.com/simontaller](http://www.instructionsrack.com/simontaller)

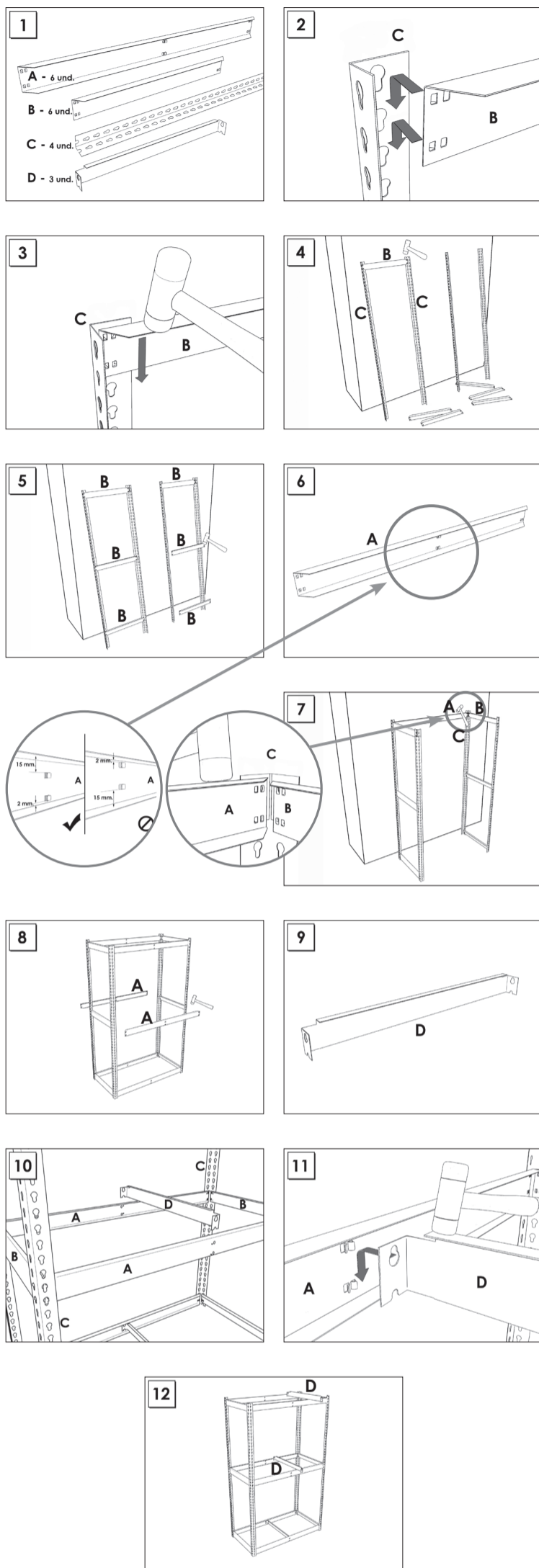


**MADE IN SPAIN**

[www.simonrack.com](http://www.simonrack.com)



**INSTRUCTIONS**



On-line instructions: [www.instructionsrack.com/simontaller](http://www.instructionsrack.com/simontaller)

[www.simonrack.com](http://www.simonrack.com) • [www.simonrack.com](http://www.simonrack.com) • [www.simonrack.com](http://www.simonrack.com) • [www.simonrack.com](http://www.simonrack.com)

**SIMONCLASSIC**



Up to: **100 Kg.**  
Kg./Shelf  
Uniformly Distributed Load



**SIMONCLICK**



Up to: **180 Kg.**  
Kg./Shelf  
Uniformly Distributed Load



**OFFCLICK**



Up to: **275 Kg.**  
Kg./Shelf  
Uniformly Distributed Load



**SIMONTALLER**



Up to: **600 Kg.**  
Kg./Shelf  
Uniformly Distributed Load



**BANCOS DE TRABAJO**

Up to: **800 Kg.**  
Kg./Shelf  
Uniformly Distributed Load



**ALTILLOS Y PASILLOS ELEVADOS**



**SIMONHOME**

Up to: **150 Kg.**  
Kg./Shelf  
Uniformly Distributed Load



**TAQUILLAS**



**SIMONINOX**

Up to: **900 Kg.**  
Kg./Shelf  
Uniformly Distributed Load



**SIMONTITÁN**

Up to: **900 Kg.**  
Kg./Shelf  
Uniformly Distributed Load



**SIMONPALET**

Up to: **4500 Kg.**  
Kg./Shelf  
Uniformly Distributed Load



**SIMONLEVER**

