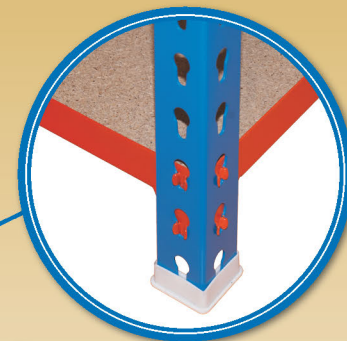
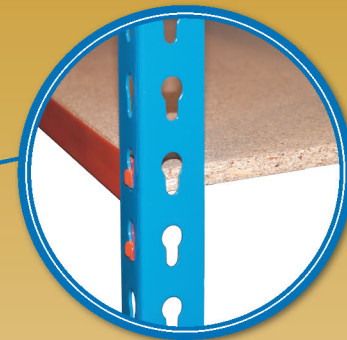
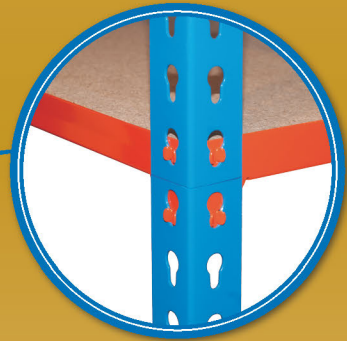


200 x 110 x 50 cm*

78.7" x 43.3" x 19.7"

MADERCLICK SUPERPLUS 5/500

5 years
SIMONRACK
GUARANTEE



*MEDIDAS EN USO: 1979 x 1111 x 510 mm
USED MEASUREMENTS: 77.91" x 43.74" x 20.08"



ESTANTERIAS SIMON S.L. B.50.556.463
PG. ALFAMEN C/ POLIGONO C, N°3
ALFAMEN (ZARAGOZA)



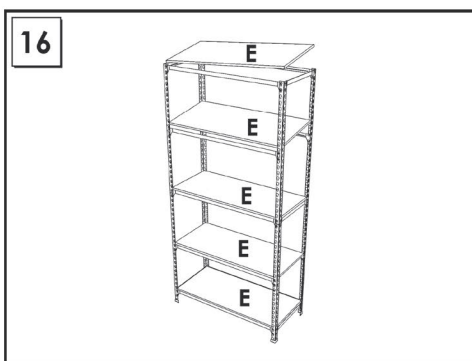
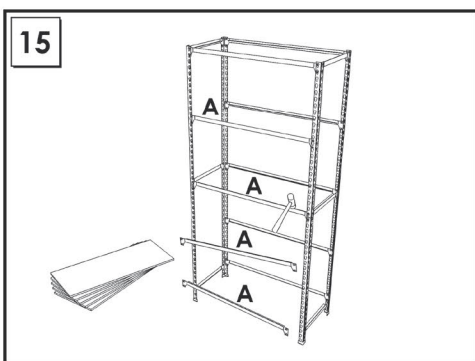
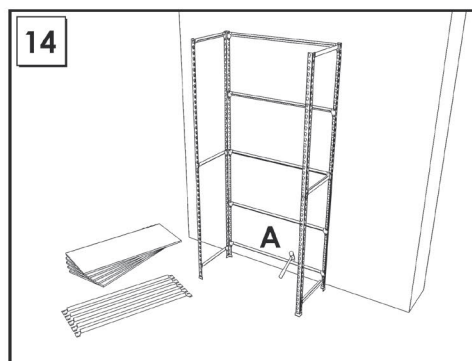
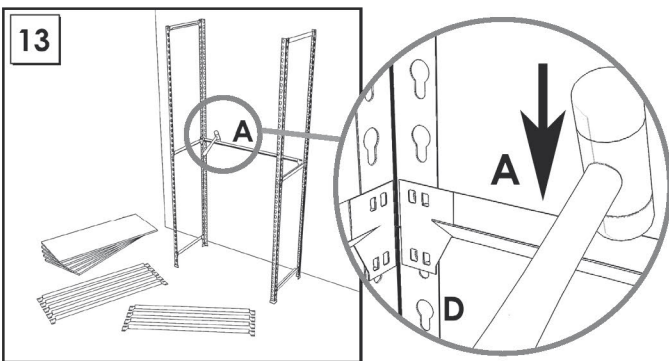
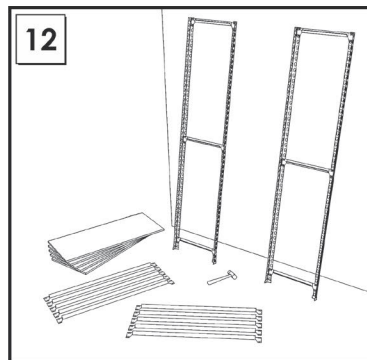
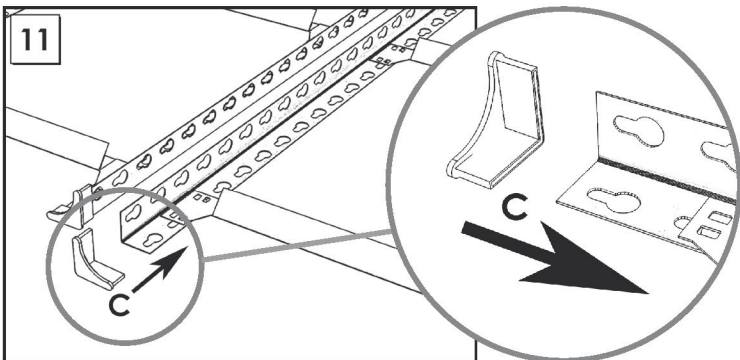
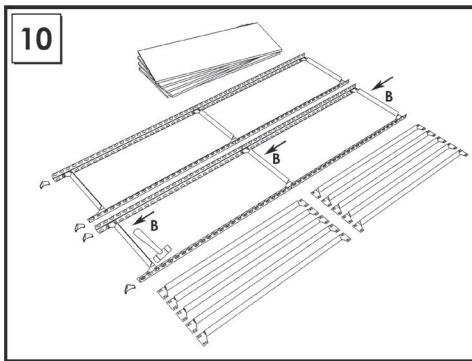
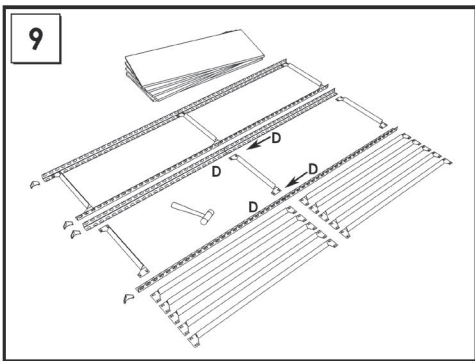
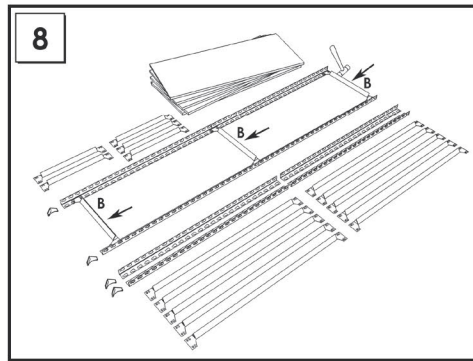
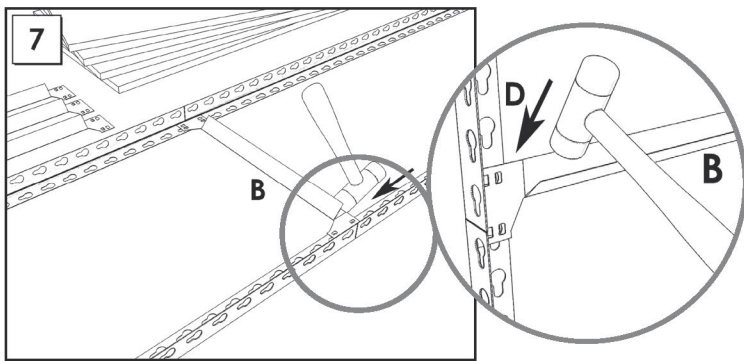
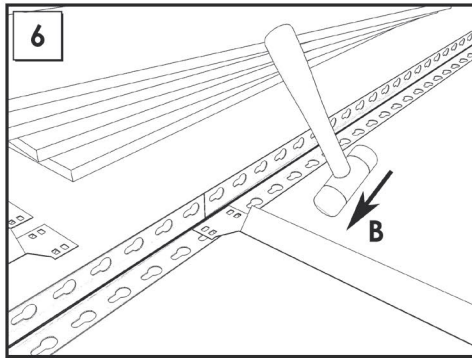
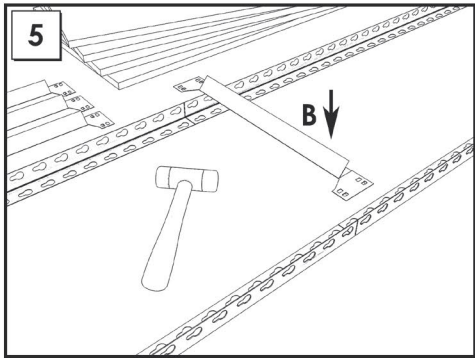
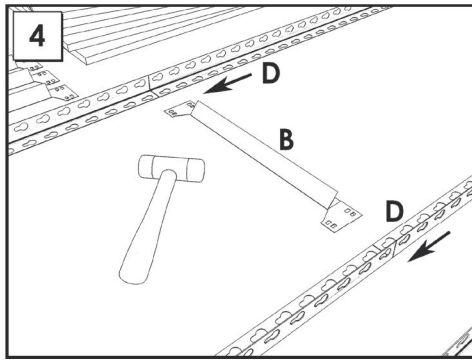
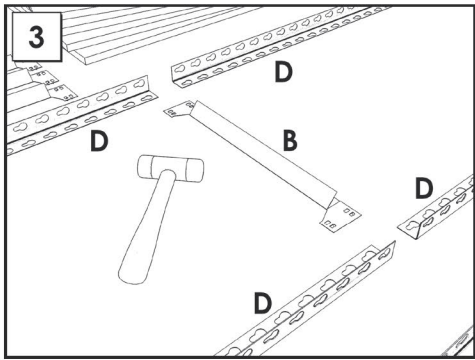
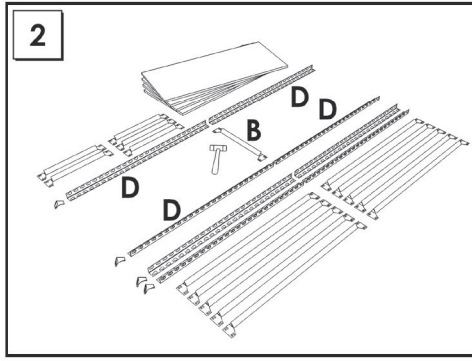
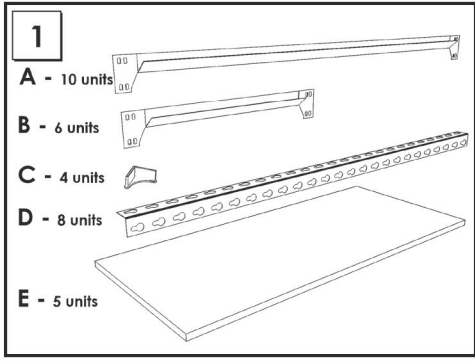
www.simonrack.com

Simon
Rack
SINCE 1964 - MANUFACTURER



Management System
ISO 9001:2008
www.tuv.com
ID 910504425

INSTRUCTIONS



SIMONCLASSIC

BOLTS SYSTEM
Up to: **150 Kg**
(331 lb)
Kg/Shelf
Uniformly Distributed Load



SIMONCLICK

NO BOLTS SYSTEM
Up to: **400 Kg**
(882 lb)
Kg/Shelf
Uniformly Distributed Load



SIMONOFFICE

NO BOLTS SYSTEM
Up to: **275 Kg**
(606 lb)
Kg/Shelf
Uniformly Distributed Load



SIMONTALLER

NO BOLTS SYSTEM
Up to: **700 Kg**
(1543 lb)
Kg/Shelf
Uniformly Distributed Load



**BANCOS DE TRABAJO
WORK BENCHES**

Up to: **800 Kg**
(1764 lb)
Kg/Shelf
Uniformly Distributed Load



SIMONHOME

Up to: **150 Kg**
(331 lb)
Kg/Shelf
Uniformly Distributed Load



**TAQUILLAS
LOCKER**



SIMONTITÁN

NO BOLTS SYSTEM
Up to: **900 kg**
(1984 lb)
Kg/Shelf
Uniformly Distributed Load



SIMONINOX

NO BOLTS SYSTEM



SIMONPALET

Up to: **4500 kg**
(9921 lb)
Kg/Shelf
Uniformly Distributed Load



SIMONLEVER



**ALTILLOS Y PASILLOS ELEVADOS
PLATFORMS AND MEZZANINES**

