

200 x 110 x 40 cm*

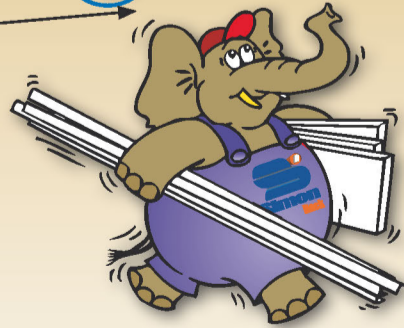
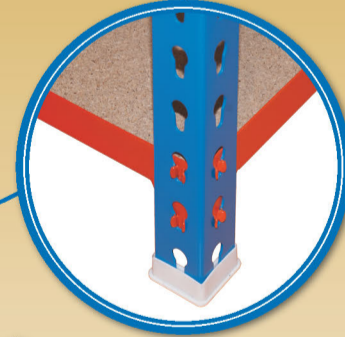
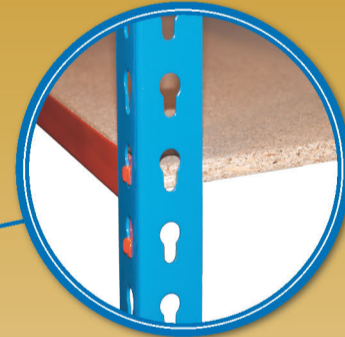
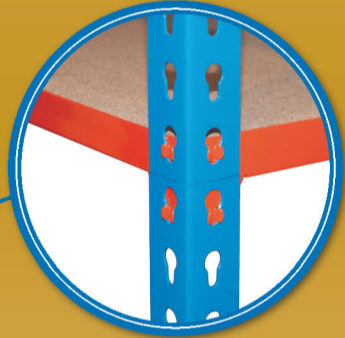
78.7" x 43.3" x 15.8"

MADERCLICK SUPERPLUS 5/400

5 years
SIMONRACK
GUARANTEE



**500 kg
(1100 lb)
Total**



*MEDIDAS EN USO: 1979 x 1111 x 410 mm
USED MEASUREMENTS: 77.91" x 43.74" x 16.14"



ESTANTERIAS SIMON S.L. B.50.556.463
PG. ALFAMEN C/ POLIGONO C, N°3
ALFAMEN (ZARAGOZA)

Simon
Rack
SINCE 1964 - MANUFACTURER

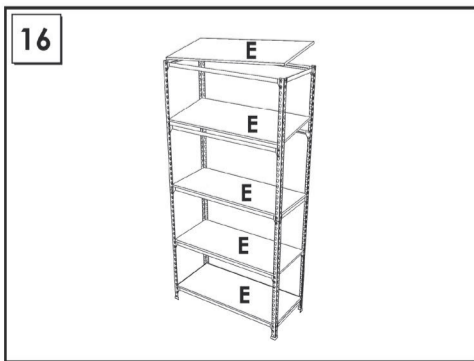
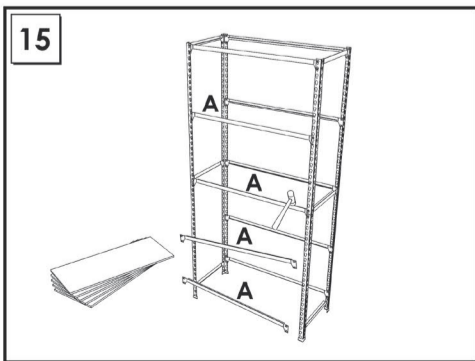
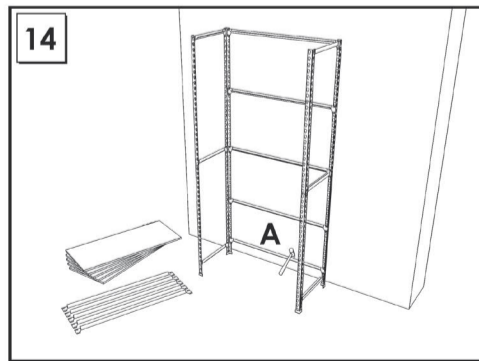
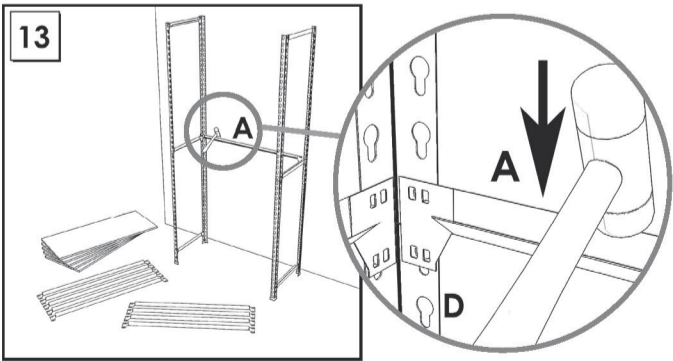
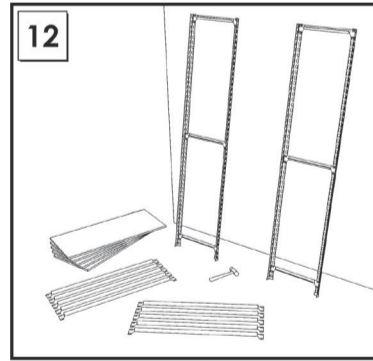
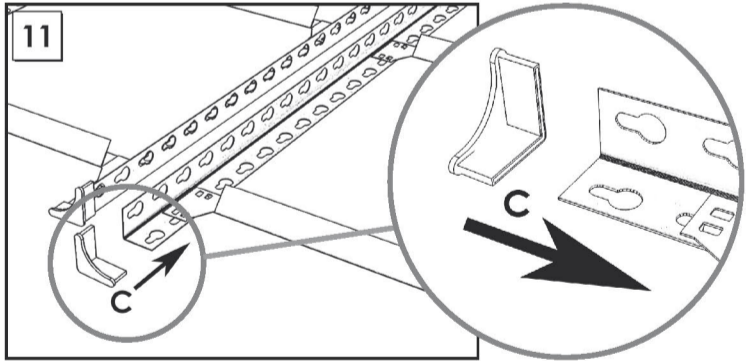
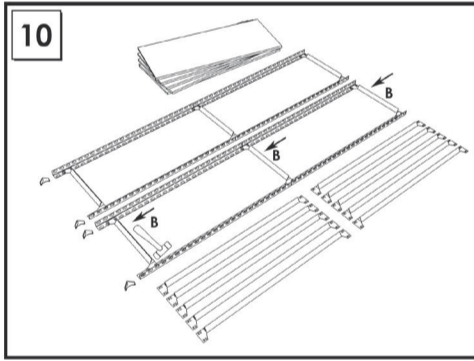
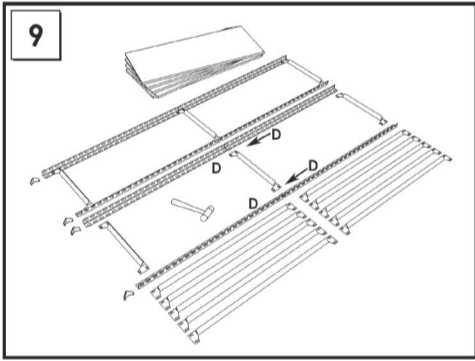
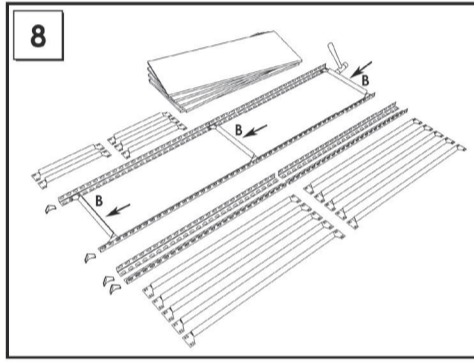
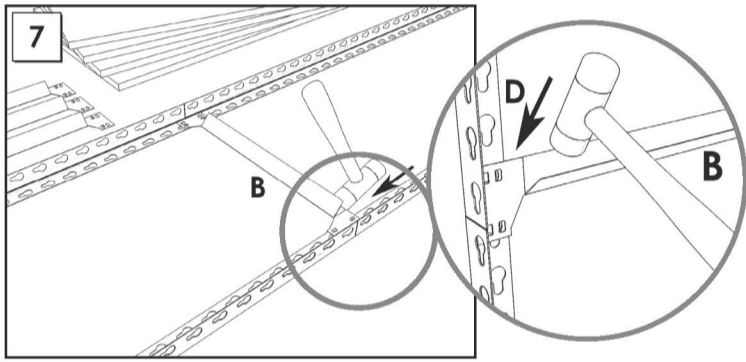
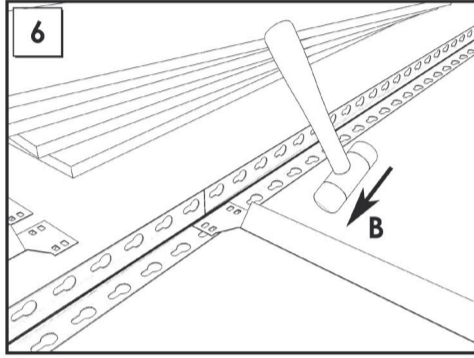
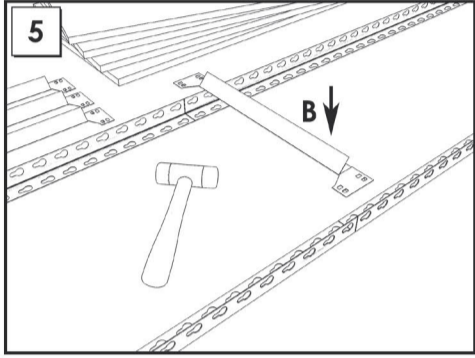
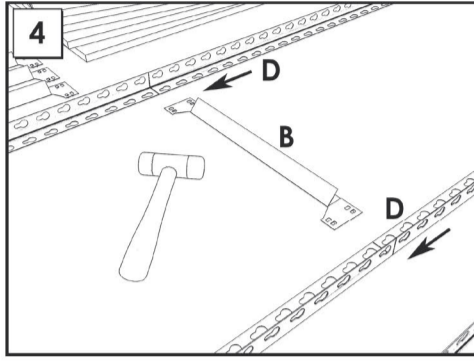
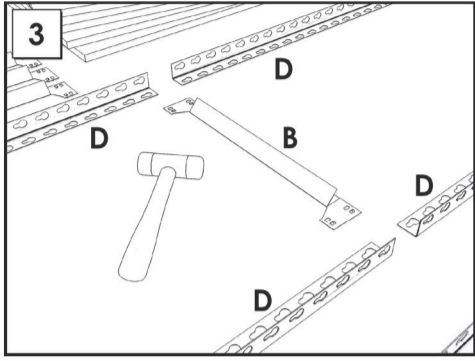
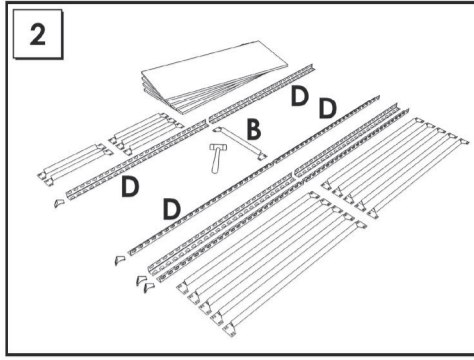
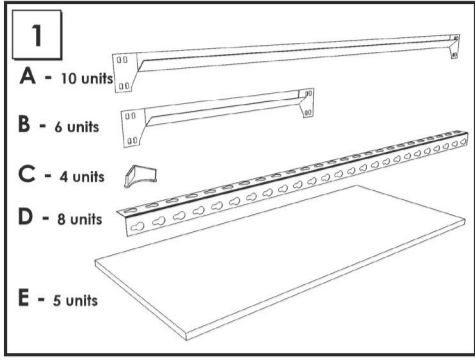


www.simonrack.com



Management System
ISO 9001:2008
www.tuv.com
ID 910504425

INSTRUCTIONS



On-line instructions: www.instructionsrack.com/maderclick

SIMONCLASSIC



SIMONCLICK



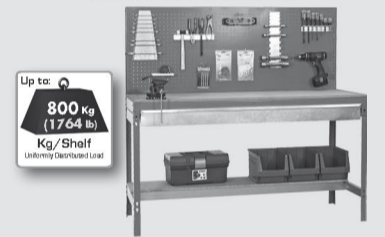
SIMONOFFICE



SIMONTALLER



BANCOS DE TRABAJO
WORK BENCHES



SIMONHOME



TAQUILLAS
LOCKER



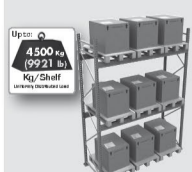
SIMONTITÁN



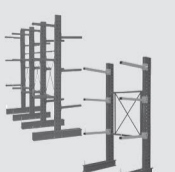
SIMONINOX



SIMONPALET



SIMONLEVER



ALTILLOS Y PASILLOS ELEVADOS
PLATFORMS AND MEZZANINES

