

180 x 90 x 30 cm*

70.9" x 35.4" x 11.8"

MADERCLICK 5/300

5 years
SIMONRACK
GUARANTEE

8 x 90 cm (35.4")

5 x 90x30 cm (35.4" x 11.8")

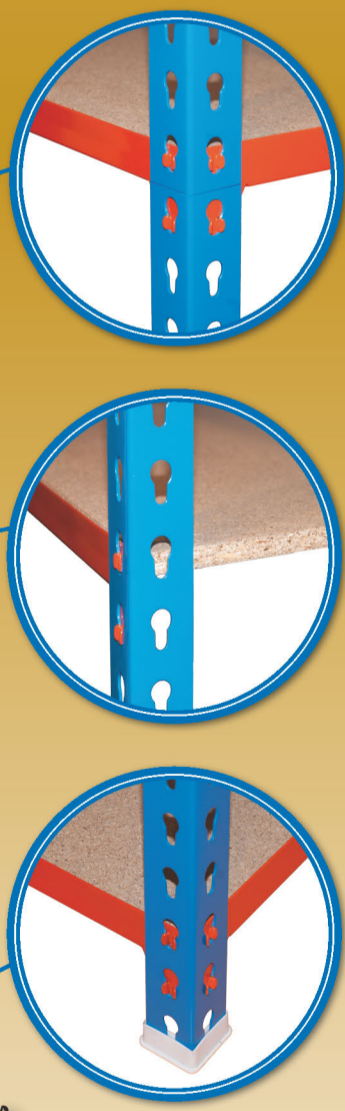
6 x 30 cm (11.8")

10 x 90 cm (35.4")

4 x

9 min MONTAGE

VIDEO INSTRUCTIONS



CE CERTIFICATE OF CONFORMITY

*MEDIDAS EN USO: 1781 x 911 x 310 mm
USED MEASUREMENTS: 70.12" x 35.87" x 12.20"

BLUE / ORANGE / WOOD

8 435104 912768

ESTANTERIAS SIMON S.L. B.50.556.463
PG. ALFAMEN C/ POLIGONO C, N°3
ALFAMEN (ZARAGOZA)

Simon Rack
SINCE 1964 - MANUFACTURER

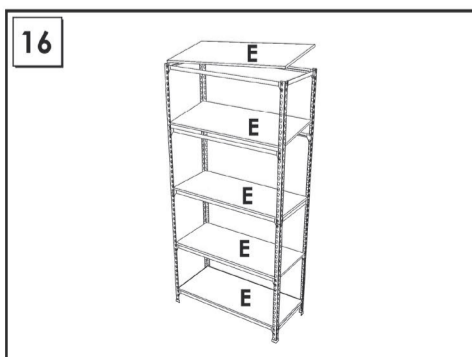
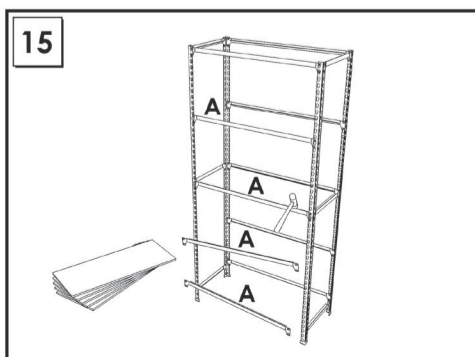
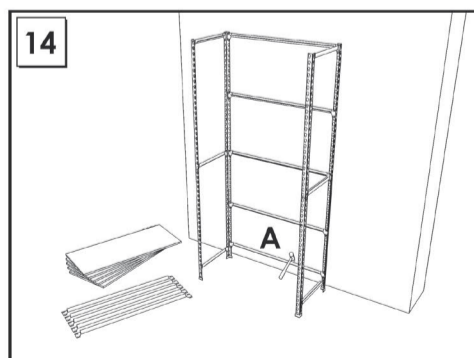
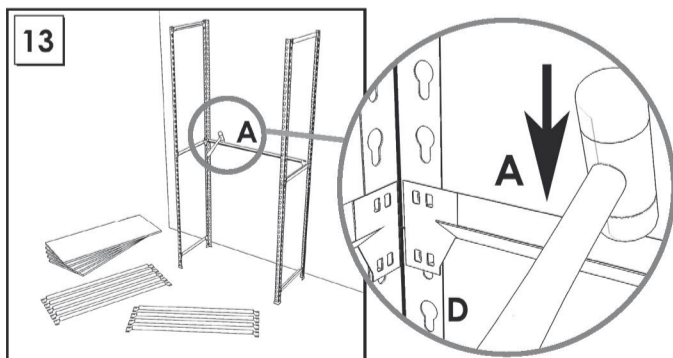
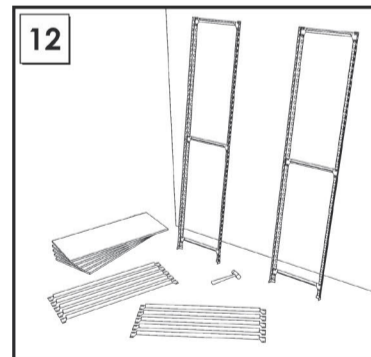
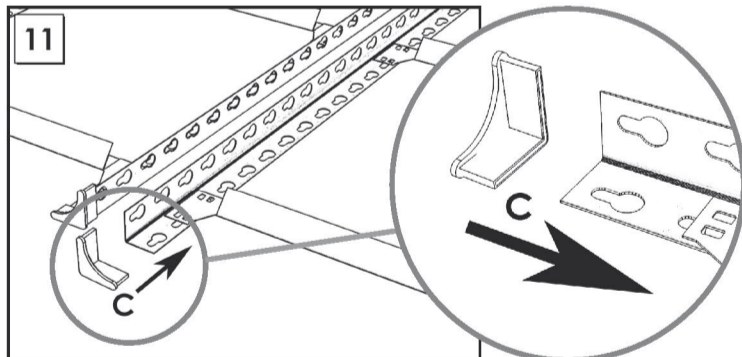
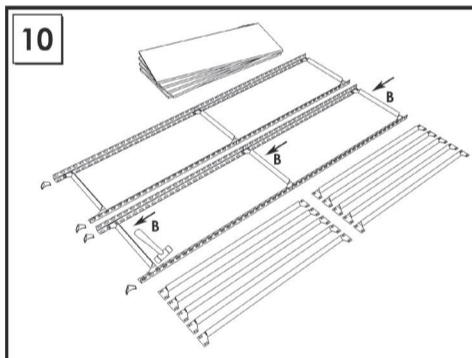
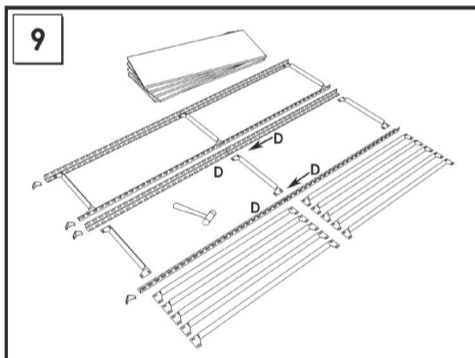
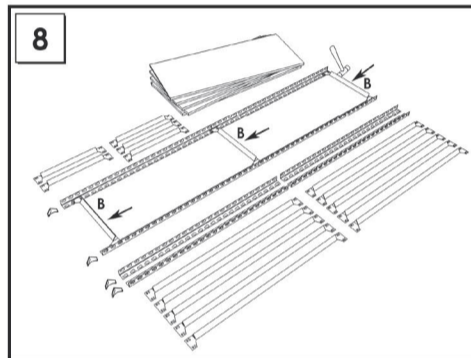
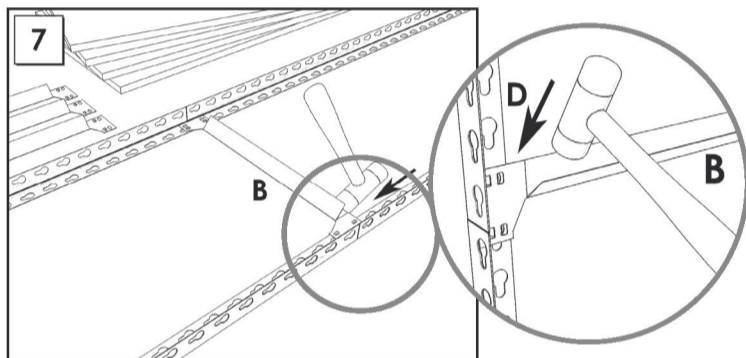
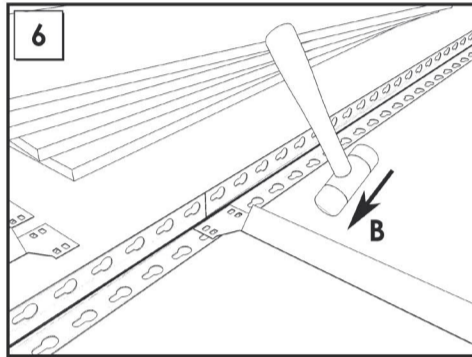
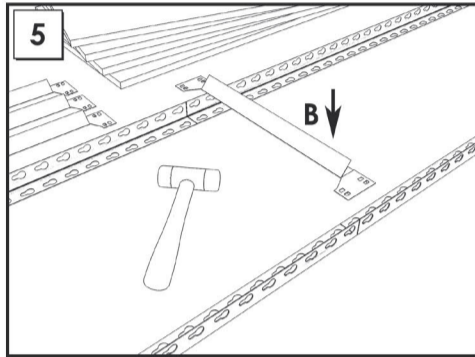
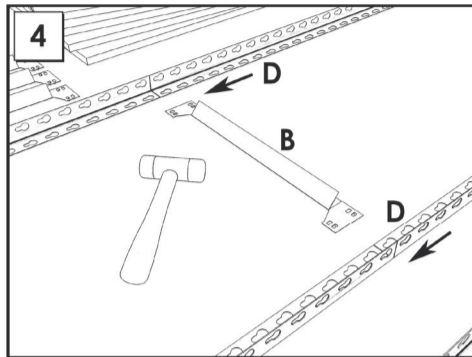
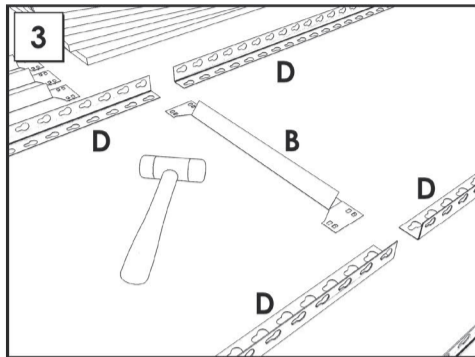
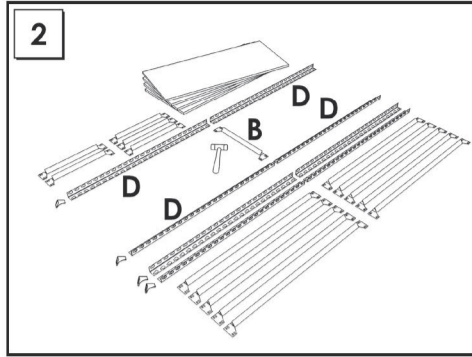
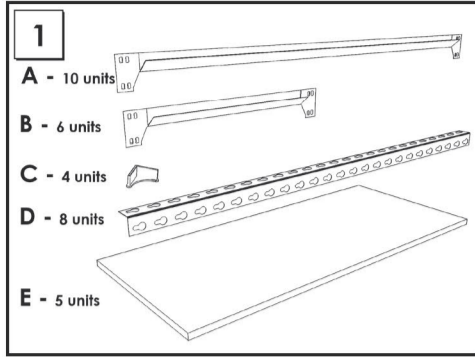


www.simonrack.com



Management System
ISO 9001:2008
www.tuv.com
ID 910604425

INSTRUCTIONS



On-line instructions: www.instructionsrack.com/maderclick

www.simonrack.com • www.simonrack.com • www.simonrack.com • www.simonrack.com • www.simonrack.com • www.simonrack.com • www.simonrack.com • www.simonrack.com • www.simonrack.com • www.simonrack.com

SIMONCLASSIC



SIMONCLICK



SIMONOFFICE



SIMONTALLER



**BANCOS DE TRABAJO
WORK BENCHES**



SIMONHOME



**TAQUILLAS
LOCKER**



SIMONTITÁN



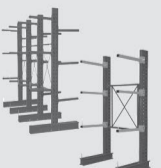
SIMONINOX



SIMONPALET



SIMONLEVER



**ALTILOS Y PASILLOS ELEVADOS
PLATFORMS AND MEZZANINES**

