

# 180 x 90 x 30 cm\*

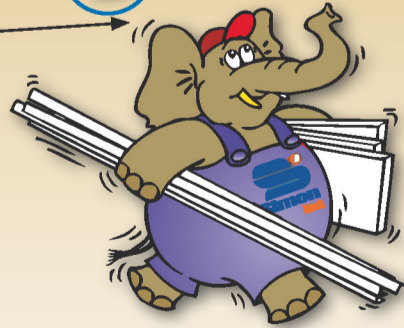
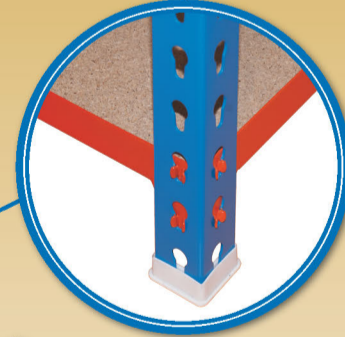
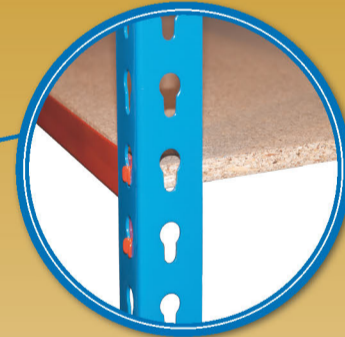
## 70.9" x 35.4" x 11.8"

### MADERCLICK 5/300

**5 years**  
SIMONRACK  
GUARANTEE



**750 kg**  
(1654 lb)  
Total



\*MEDIDAS EN USO: 1781 x 911 x 310 mm  
USED MEASUREMENTS: 70.12" x 35.87" x 12.20"



ESTANTERIAS SIMON S.L. B.50.556.463  
PG. ALFAMEN C/ POLIGONO C, Nº3  
ALFAMEN (ZARAGOZA)

**Simon**  
Rack  
SINCE 1964 - MANUFACTURER

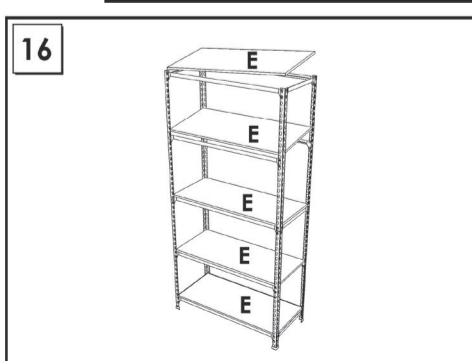
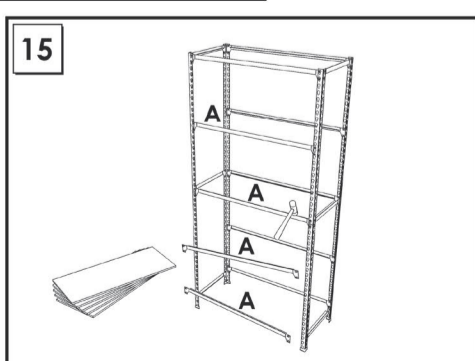
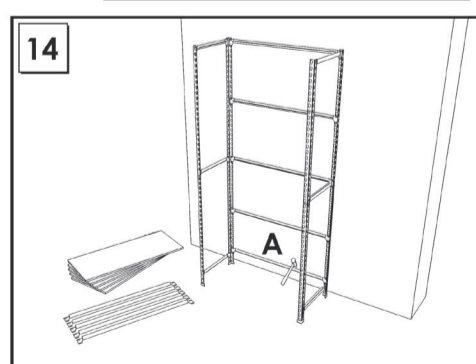
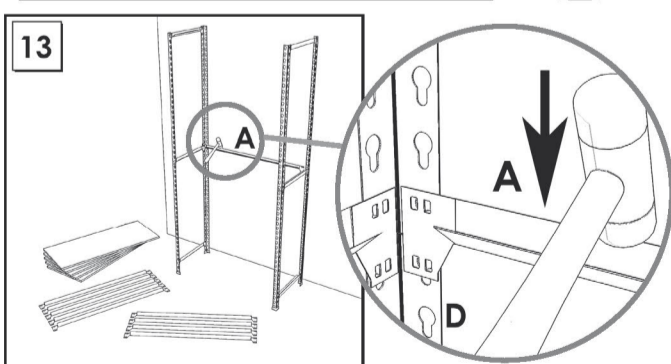
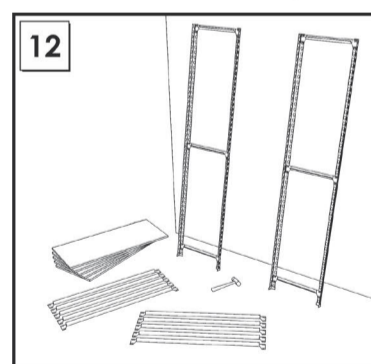
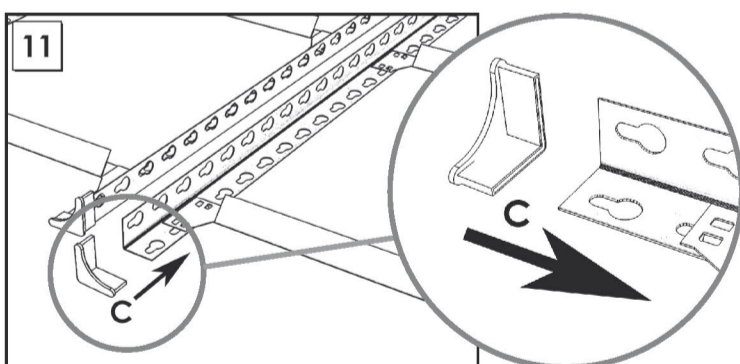
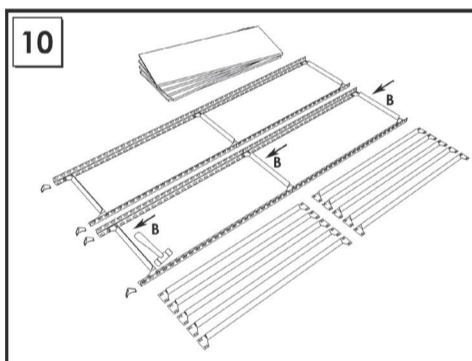
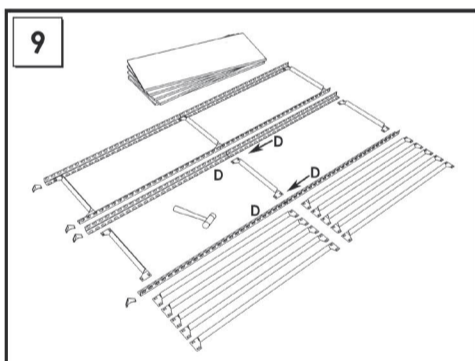
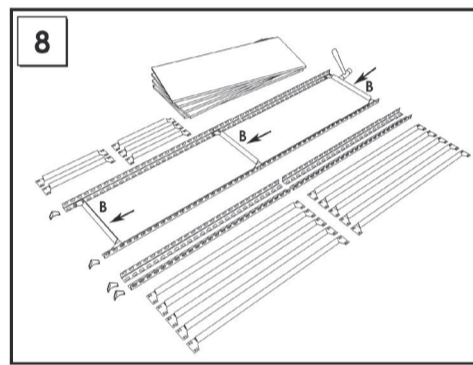
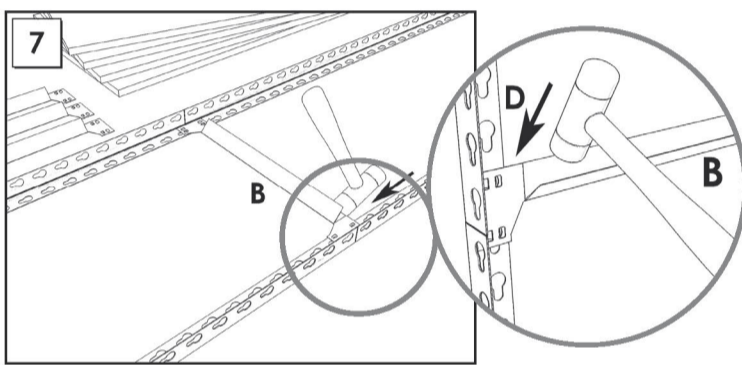
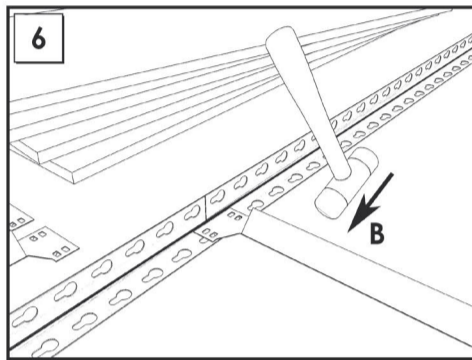
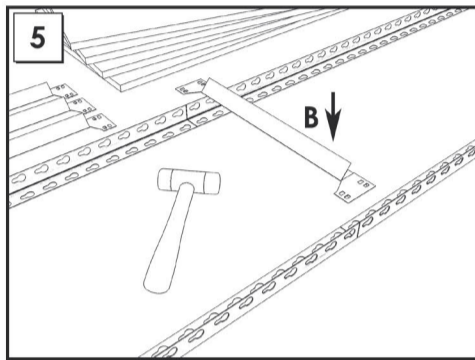
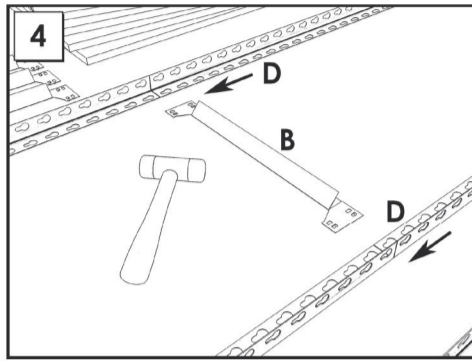
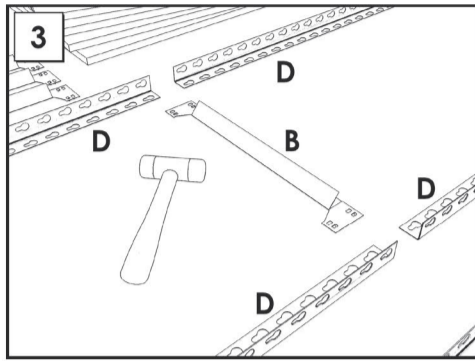
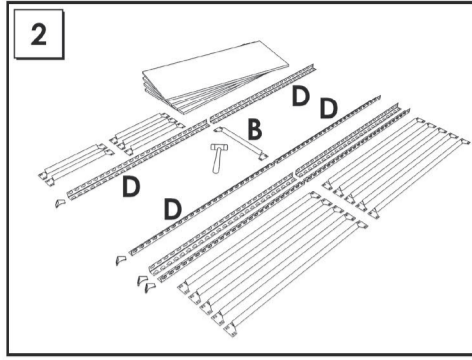
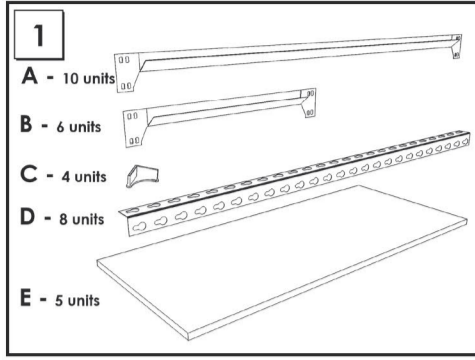


[www.simonrack.com](http://www.simonrack.com)



Management System  
ISO 9001:2008  
[www.tuv.com](http://www.tuv.com)  
ID 910604425

INSTRUCTIONS



### SIMONCLASSIC

**BOLTS SYSTEM**  
Up to: **150 Kg** (331 lb) Uniformly Distributed Load



### SIMONCLICK

**NO BOLTS SYSTEM**  
Up to: **400 Kg** (882 lb) Uniformly Distributed Load



### SIMONOFFICE

**NO BOLTS SYSTEM**  
Up to: **275 Kg** (606 lb) Uniformly Distributed Load



### SIMONTALLER

**NO BOLTS SYSTEM**  
Up to: **700 Kg** (1543 lb) Uniformly Distributed Load



### BANCOS DE TRABAJO / WORK BENCHES

Up to: **800 Kg** (1764 lb) Uniformly Distributed Load



### SIMONHOME

Up to: **150 Kg** (331 lb) Uniformly Distributed Load



### TAQUILLAS / LOCKER



### SIMONTITÁN

**NO BOLTS SYSTEM**  
Up to: **900 Kg** (1984 lb) Uniformly Distributed Load



### SIMONINOX

**NO BOLTS SYSTEM**



### SIMONPALET

Up to: **4500 Kg** (9921 lb) Uniformly Distributed Load



### SIMONLEVER



### ALTILLOS Y PASILLOS ELEVADOS / PLATFORMS AND MEZZANINES



On-line instructions: [www.instructionsrack.com/maderclick](http://www.instructionsrack.com/maderclick)

www.simonrack.com • www.simonrack.com • www.simonrack.com • www.simonrack.com • www.simonrack.com