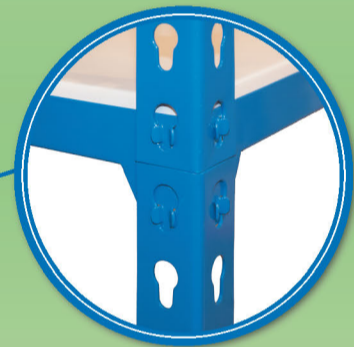


180 x 90 x 50 cm*

70.9" x 35.4" x 19.7"

SIMONCLICK 5/500

5 years
SIMONRACK
GUARANTEE



*MEDIDAS EN USO: 1781 x 911 x 510 mm
USED MEASUREMENTS: 70.12" x 35.87" x 20.08"



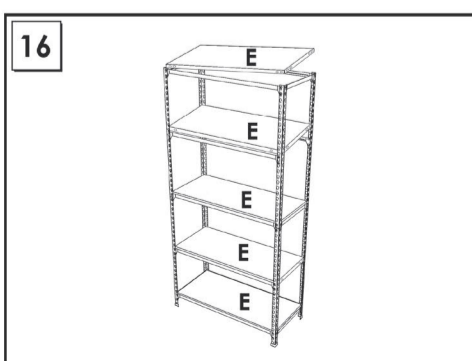
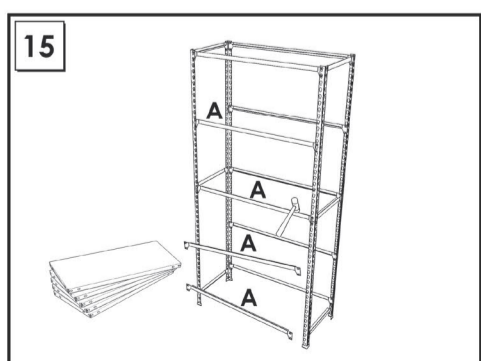
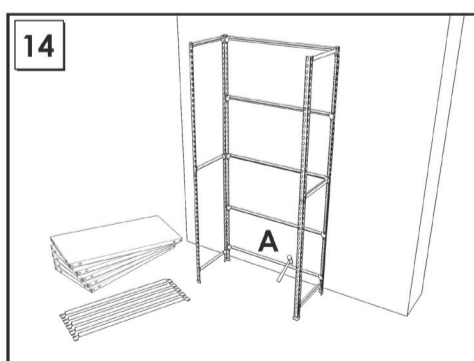
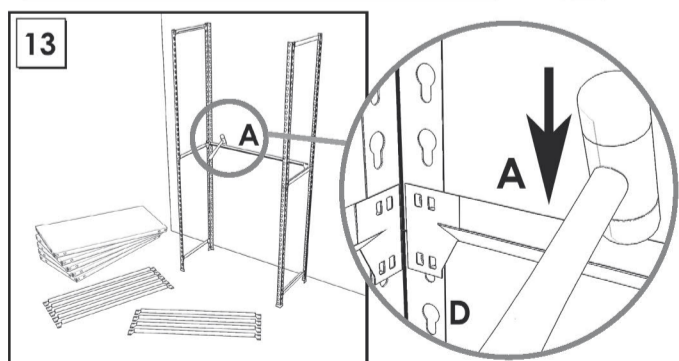
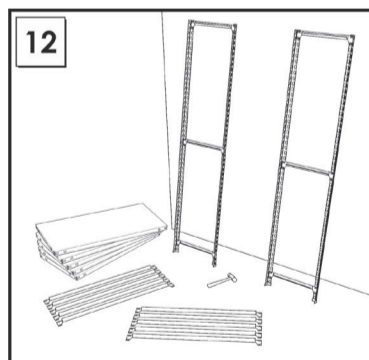
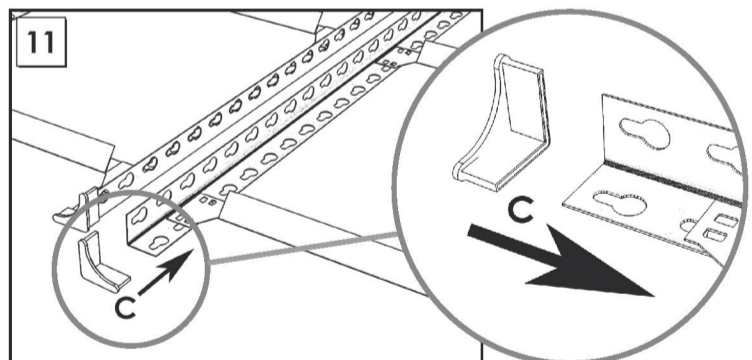
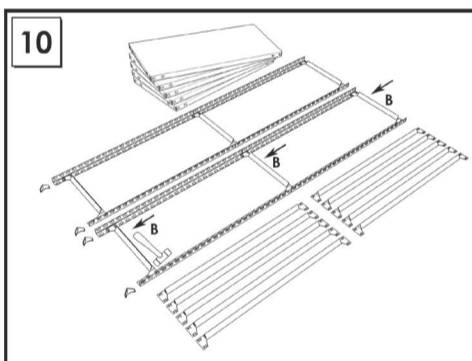
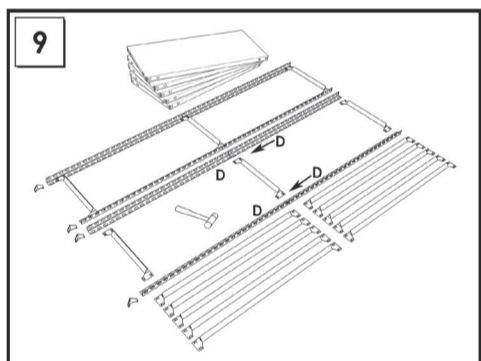
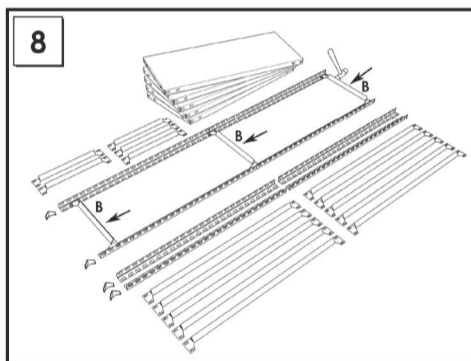
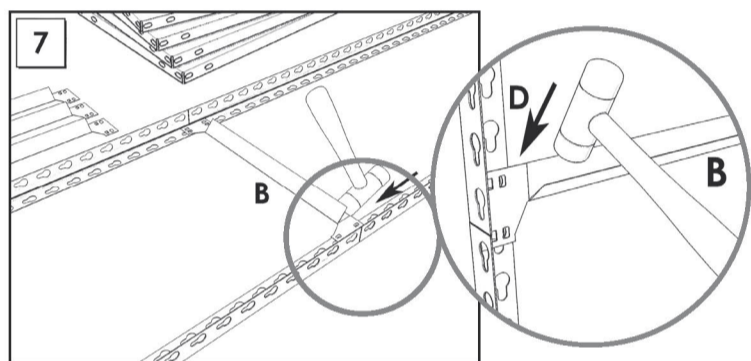
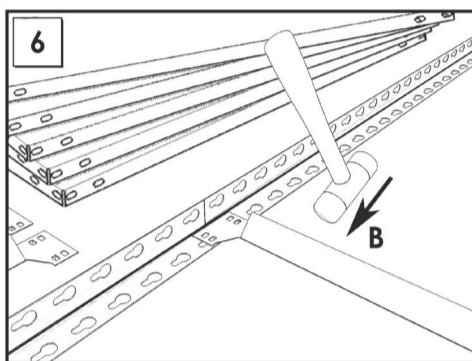
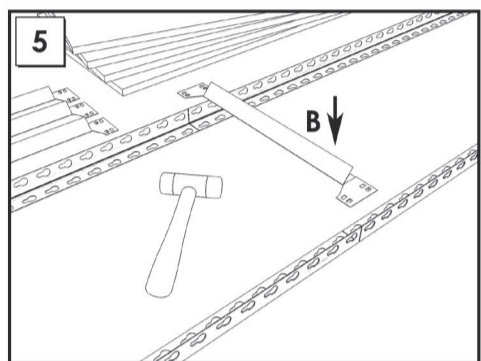
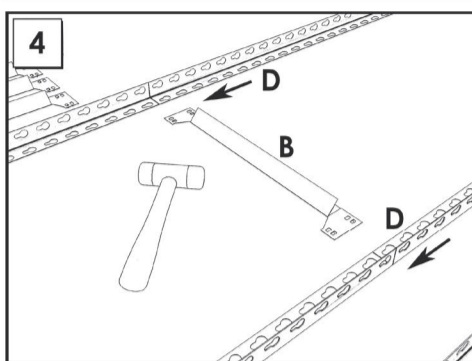
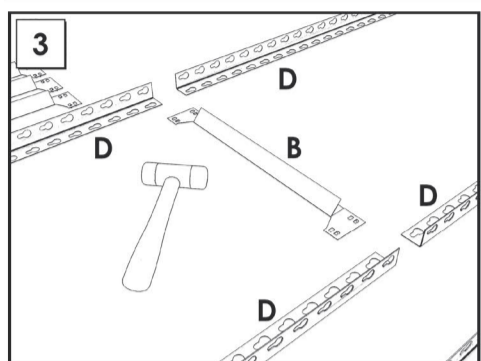
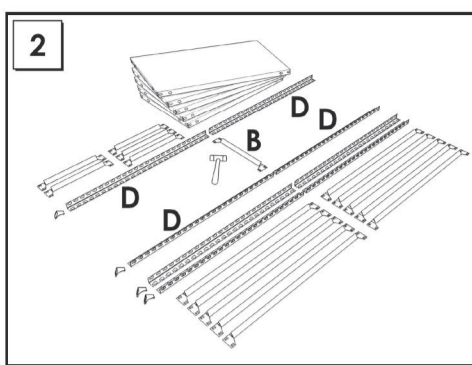
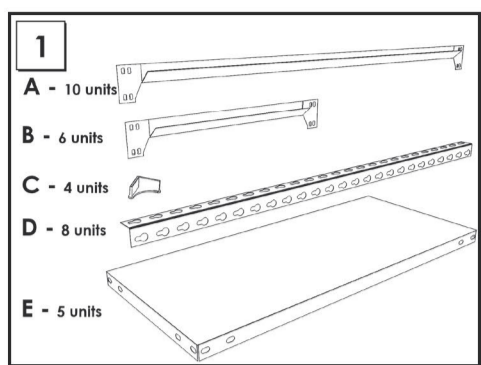
ESTANTERIAS SIMON S.L. B.50.556.463
PG. ALFAMEN C/ POLIGONO C, N°3
ALFAMEN (ZARAGOZA)



www.simonrack.com



INSTRUCTIONS



SIMONCLASSIC



Up to: **150 Kg** (331 lb)
Kg/Shelf
Uniformly Distributed Load

SIMONCLICK



Up to: **400 Kg** (882 lb)
Kg/Shelf
Uniformly Distributed Load

SIMONOFFICE



Up to: **275 Kg** (606 lb)
Kg/Shelf
Uniformly Distributed Load

SIMONTALLER



Up to: **700 Kg** (1543 lb)
Kg/Shelf
Uniformly Distributed Load

**BANCOS DE TRABAJO
WORK BENCHES**

Up to: **800 Kg** (1764 lb)
Kg/Shelf
Uniformly Distributed Load



SIMONHOME

Up to: **150 Kg** (331 lb)
Kg/Shelf
Uniformly Distributed Load



**TAQUILLAS
LOCKER**



SIMONTITÁN



Up to: **900 Kg** (1984 lb)
Kg/Shelf
Uniformly Distributed Load

SIMONINOX



SIMONPALET

Up to: **4500 Kg** (9921 lb)
Kg/Shelf
Uniformly Distributed Load



SIMONLEVER



**ALTILOS Y PASILLOS ELEVADOS
PLATFORMS AND MEZZANINES**

