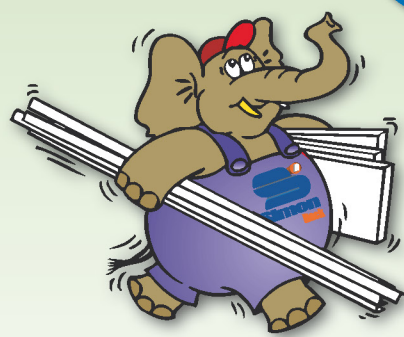
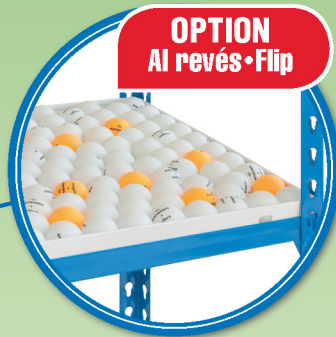
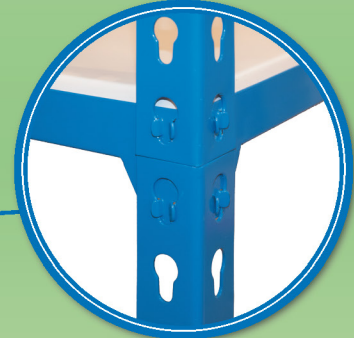
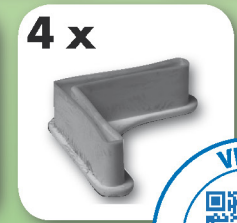


180 x 80 x 40 cm*

70.9" x 31.5" x 15.8"

SIMONCLICK MINI 5/400

5 years
SIMONRACK
GUARANTEE



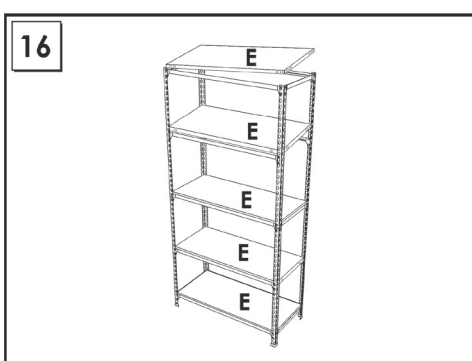
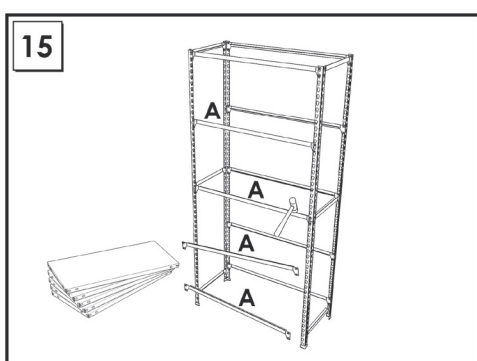
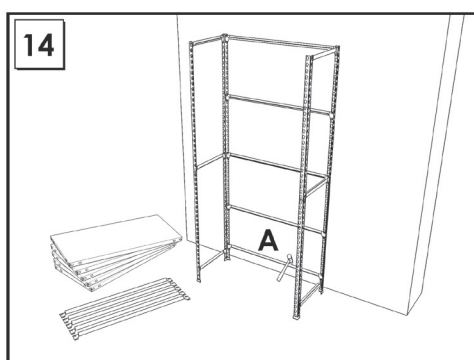
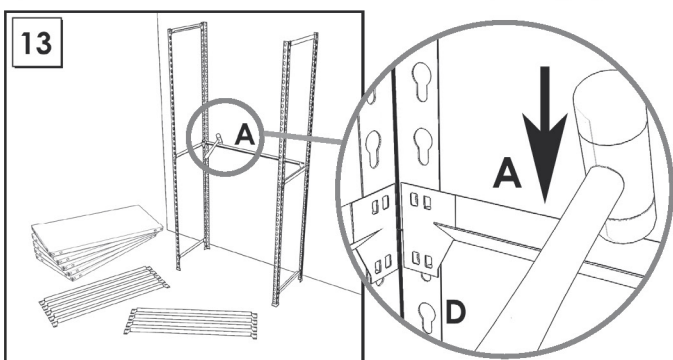
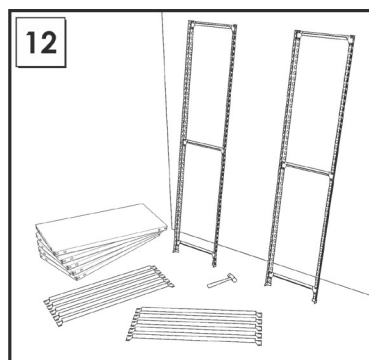
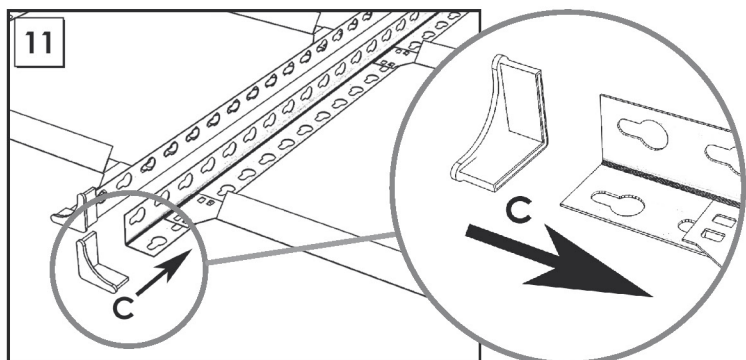
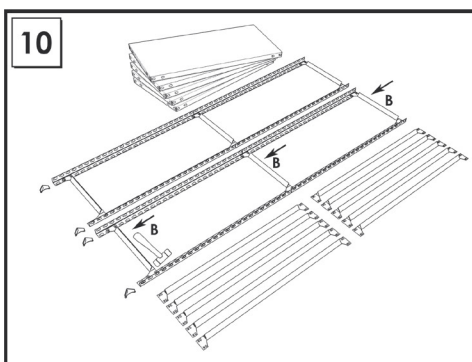
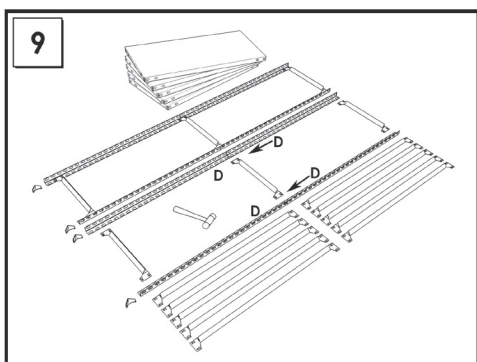
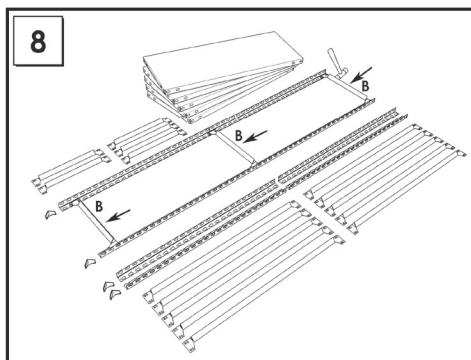
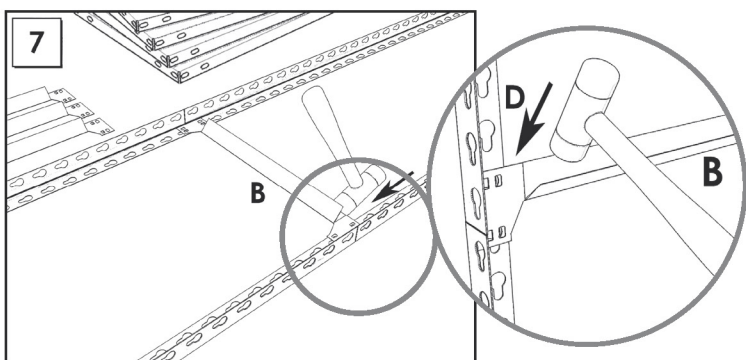
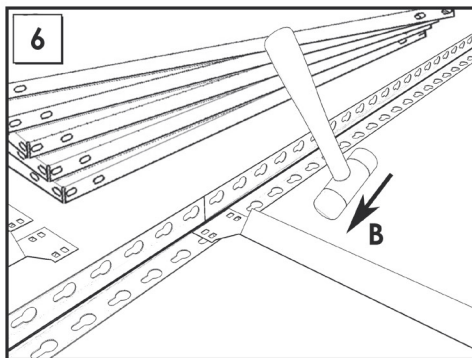
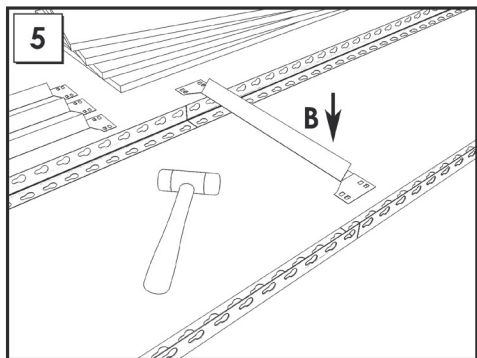
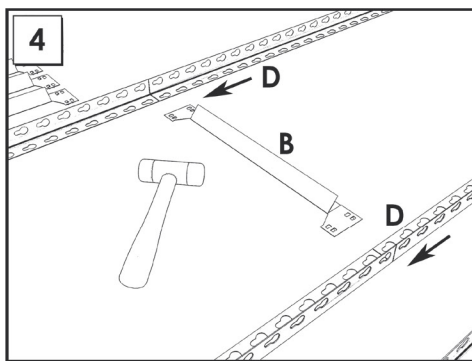
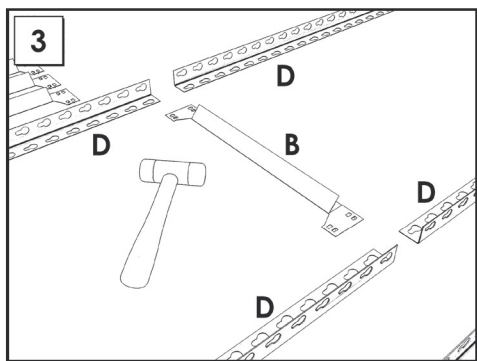
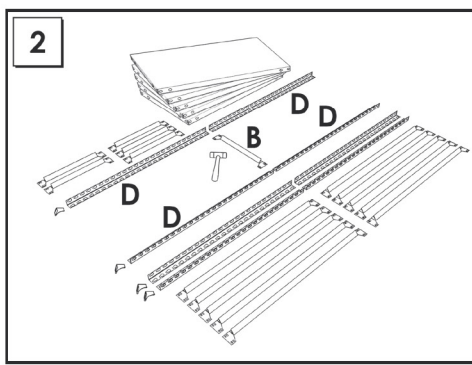
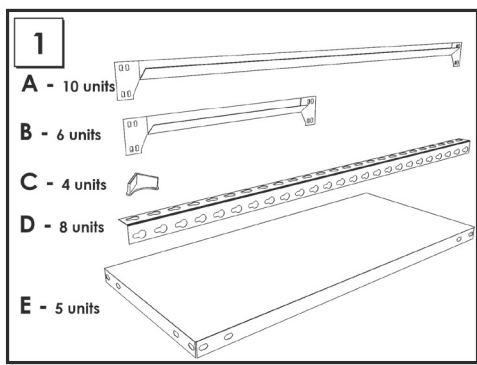
ESTANTERIAS SIMON S.L. B.50.556.463
PG. ALFAMEN C/ POLIGONO C, N°3
ALFAMEN (ZARAGOZA)



www.simonrack.com



INSTRUCTIONS



On-line instructions: www.instructionsrack.com/simonclick

SIMONCLASSIC



SIMONCLICK



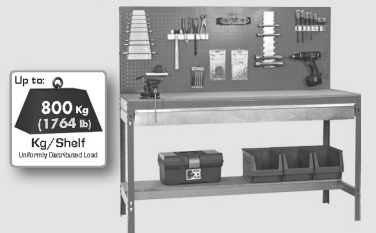
SIMONOFFICE



SIMONTALLER



**BANCOS DE TRABAJO
WORK BENCHES**



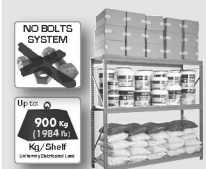
SIMONHOME



**TAQUILLAS
LOCKER**



SIMONTITÁN



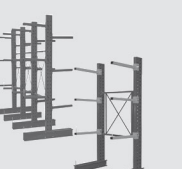
SIMONINOX



SIMONPALET



SIMONLEVER



**ALTILOS Y PASILLOS ELEVADOS
PLATFORMS AND MEZZANINES**

