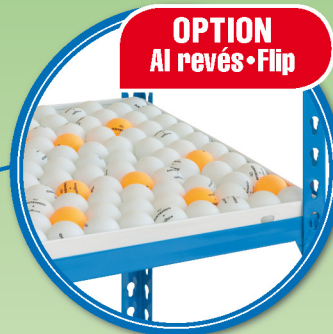
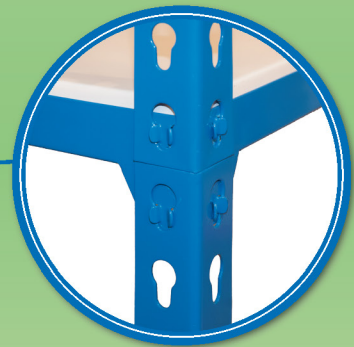


180 x 80 x 40 cm*

70.9" x 31.5" x 15.8"

SIMONCLICK MINI 5/400

5 years
SIMONRACK
GUARANTEE



*MEDIDAS EN USO: 1781 x 811 x 410 mm
USED MEASUREMENTS: 70.12" x 31.93" x 16.14"



ESTANTERIAS SIMON S.L. B.50.556.463
PG. ALFAMEN C/ POLIGONO C, Nº3
ALFAMEN (ZARAGOZA)



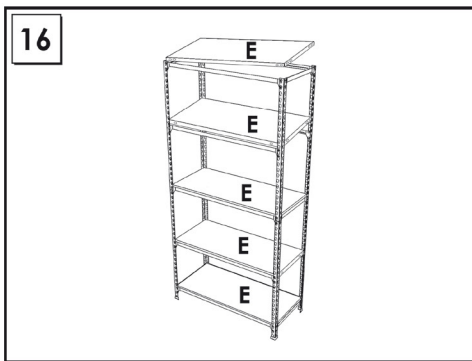
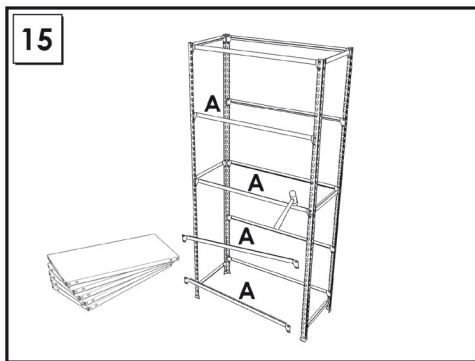
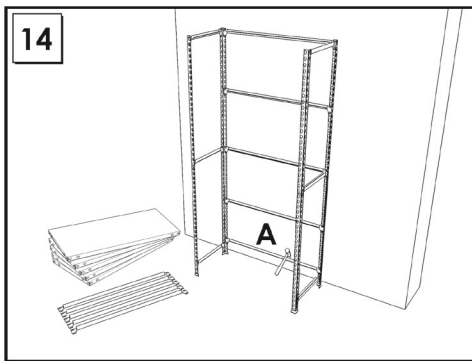
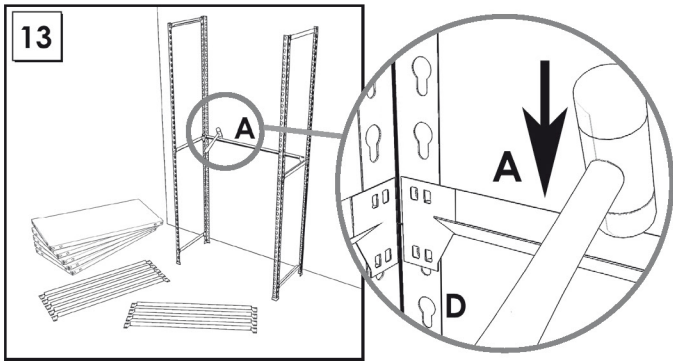
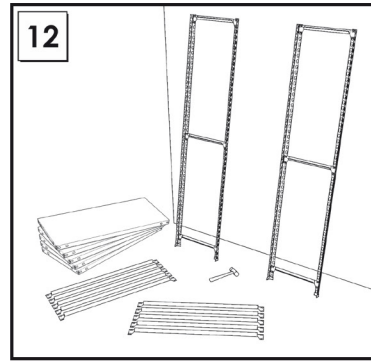
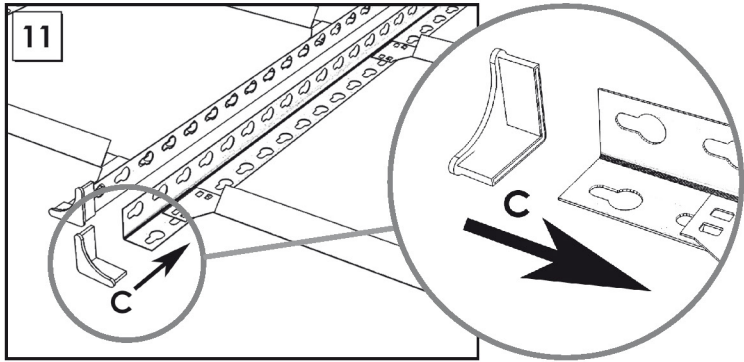
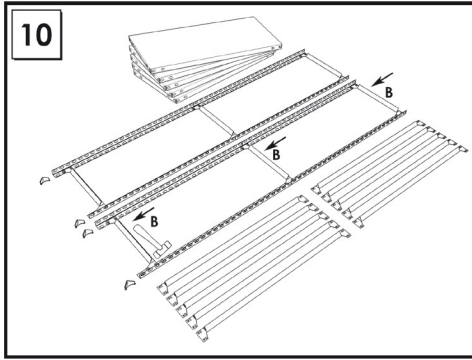
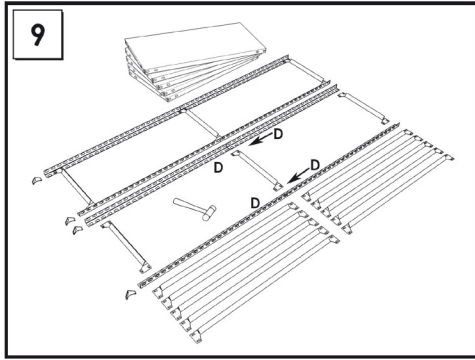
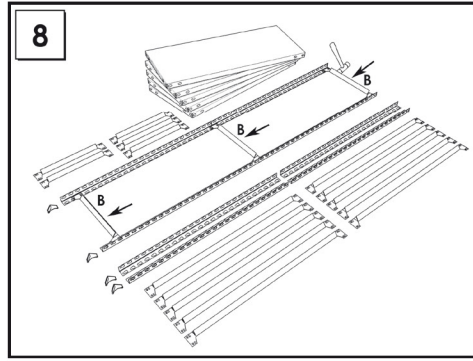
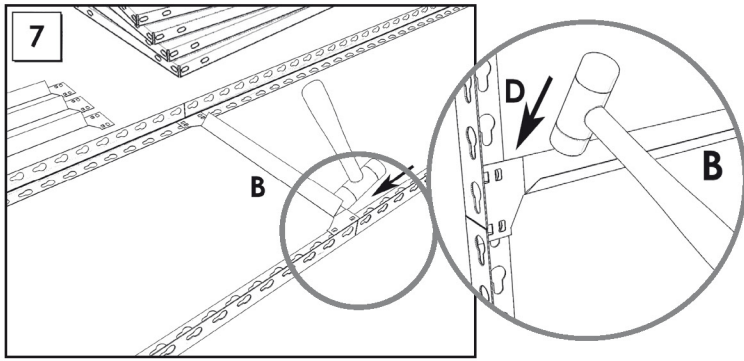
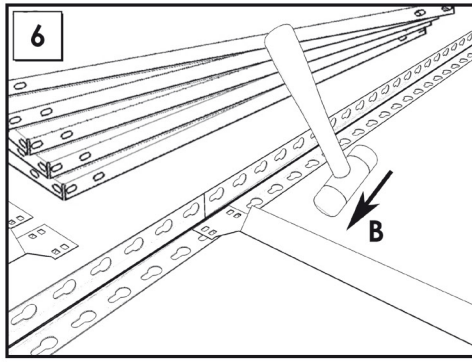
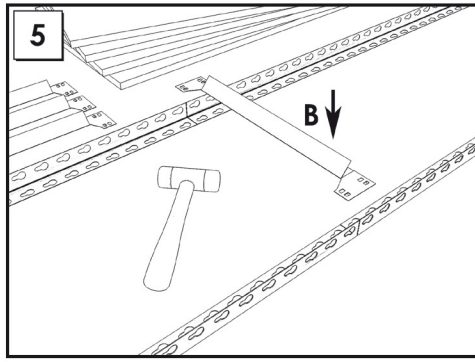
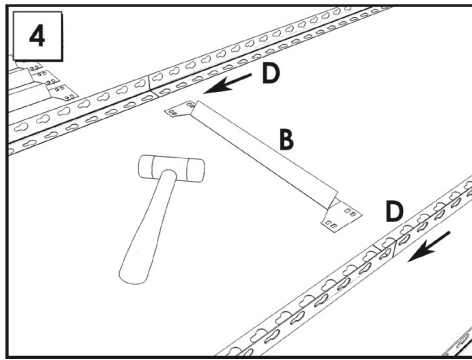
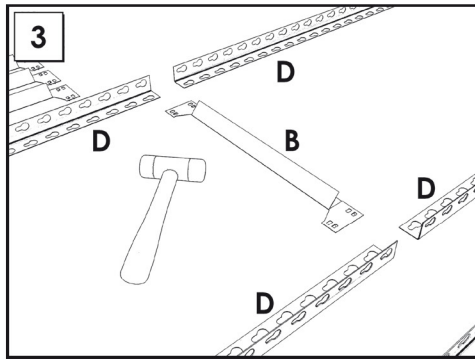
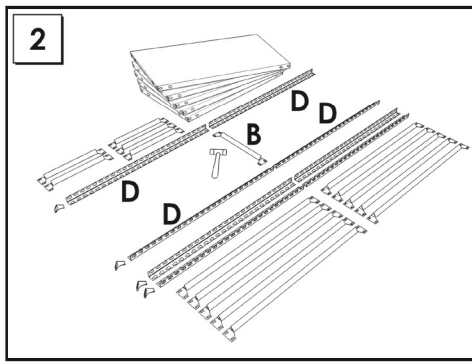
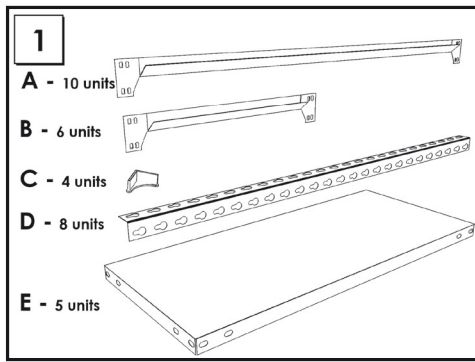
www.simonrack.com

Simon
Rack
SINCE 1964 - MANUFACTURER



Management System
ISO 9001:2008
www.tuv.com
ID 910604425

INSTRUCTIONS



On-line instructions: www.instructionsrack.com/simonclick

SIMONCLASSIC



SIMONCLICK



SIMONOFFICE



SIMONTALLER



**BANCOS DE TRABAJO
WORK BENCHES**



SIMONHOME



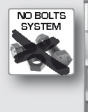
**TAQUILLAS
LOCKER**



SIMONTITÁN



SIMONINOX



SIMONPALET



SIMONLEVER



**ALTILLOS Y PASILLOS ELEVADOS
PLATFORMS AND MEZZANINES**

