

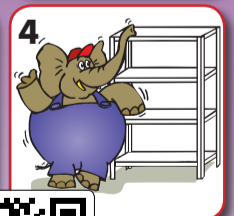
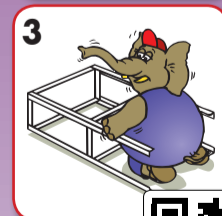
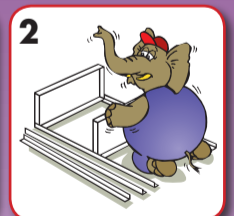
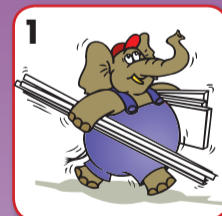
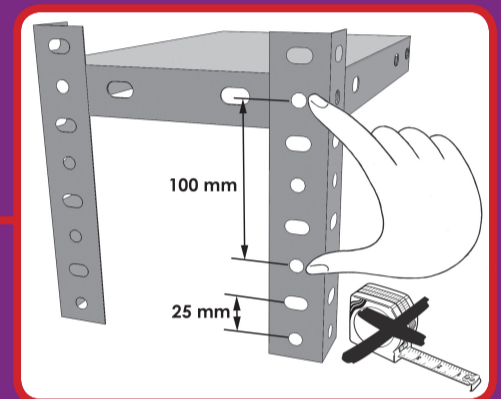
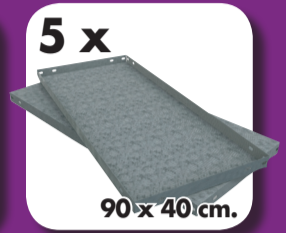
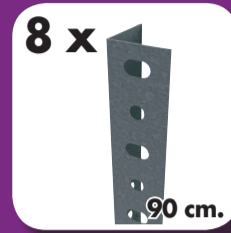
# 180 x 90 x 40 cm.



Advantage 5/400



**Simon**  
Rack

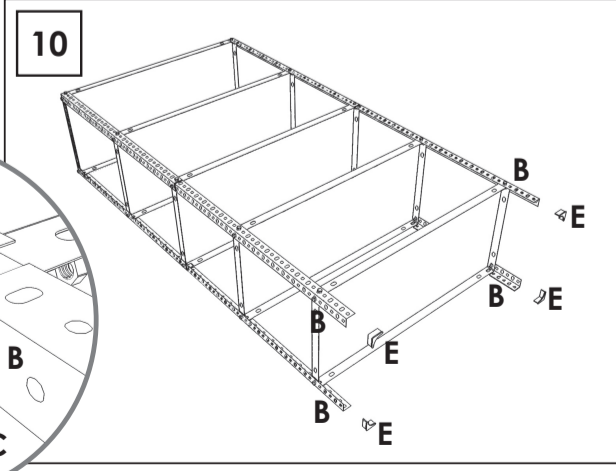
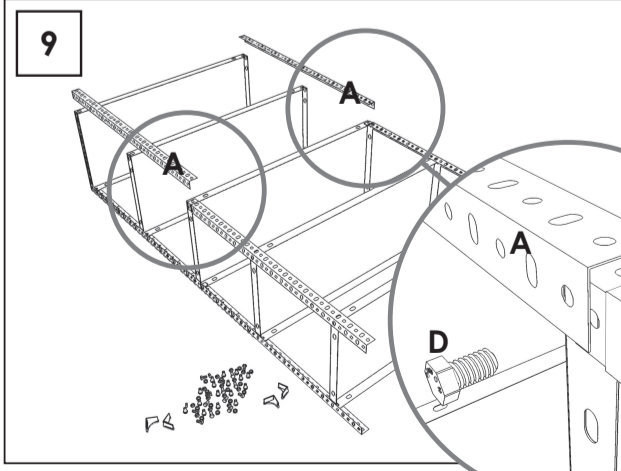
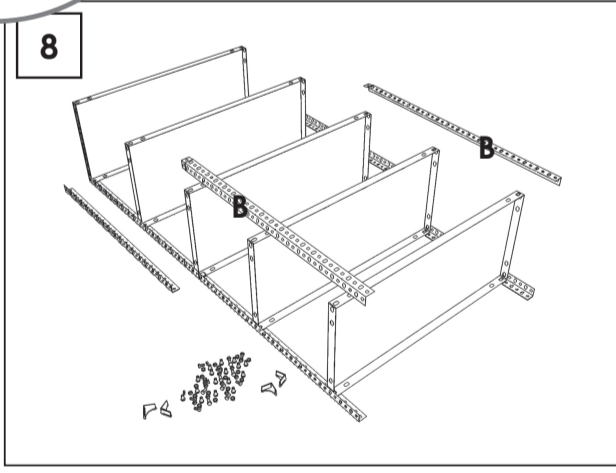
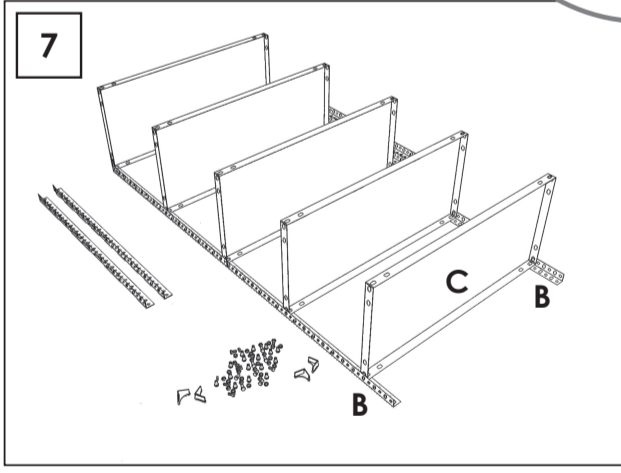
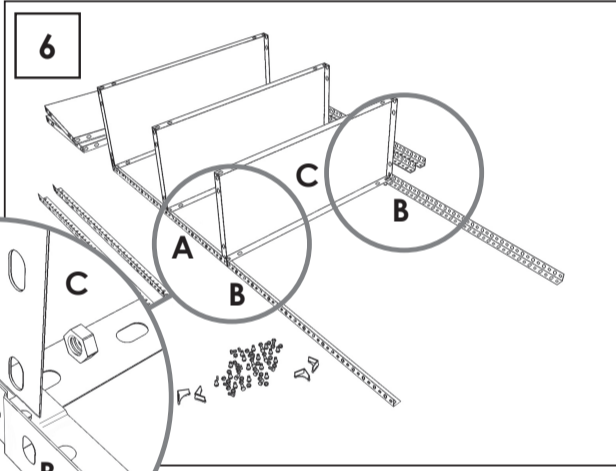
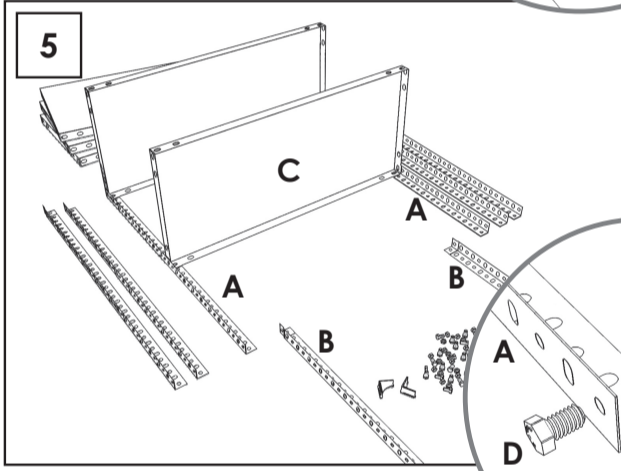
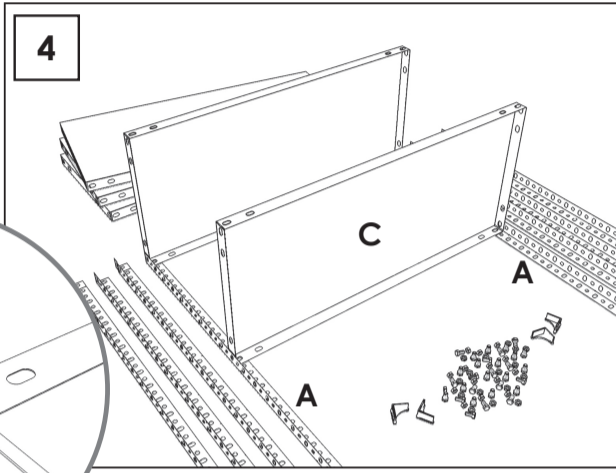
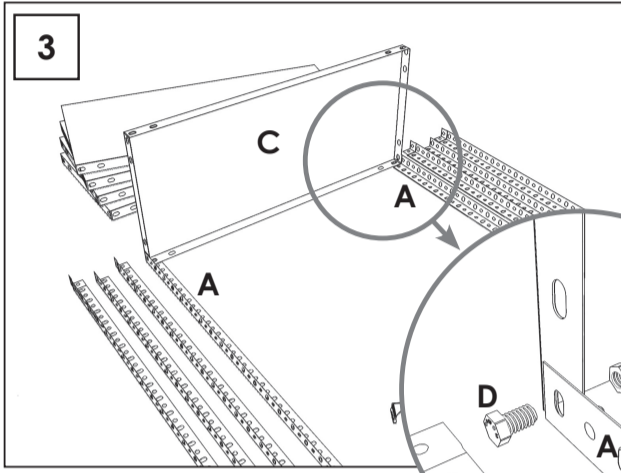
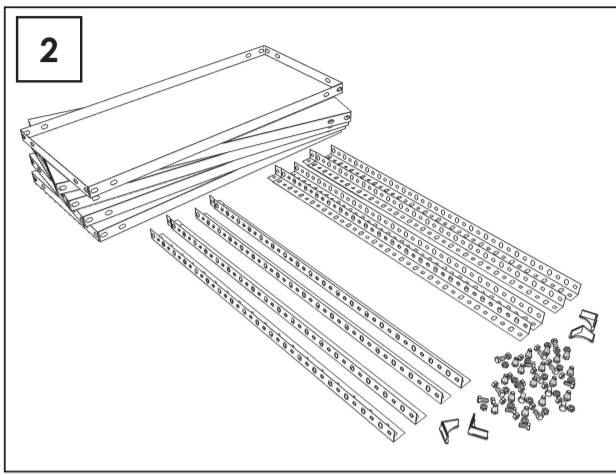
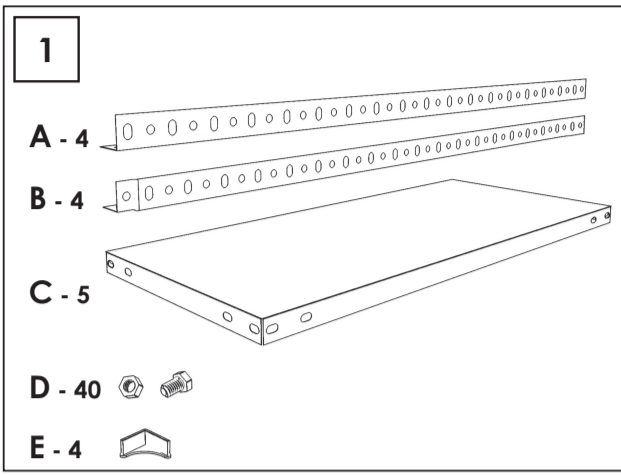


[www.simonrack.com](http://www.simonrack.com)



MADE IN SPAIN

INSTRUCTIONS



On-line instructions: [www.instructionsrack.com/simonclassic](http://www.instructionsrack.com/simonclassic)

[www.simonrack.com](http://www.simonrack.com)

**SIMONCLASSIC**



**SIMONCLICK**



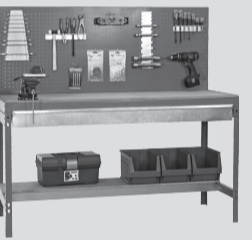
**SIMONOFFICE**



**SIMONTALLER**



**BANCOS DE TRABAJO**



**SIMONHOME**



**TAQUILLAS**



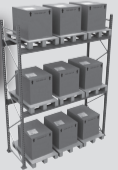
**SIMONTITÁN**



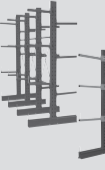
**SIMONINOX**



**SIMONPALET**



**SIMONLEVER**



**ALTILLOS Y PASILLOS ELEVADOS**

