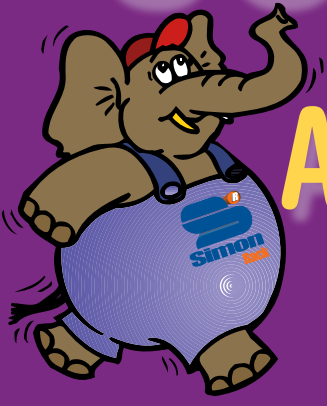
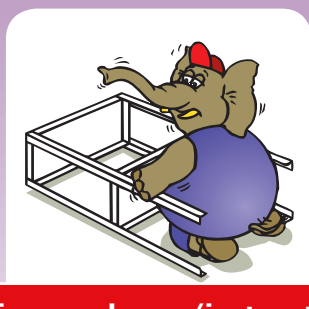
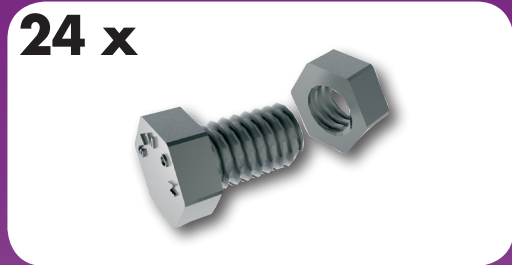
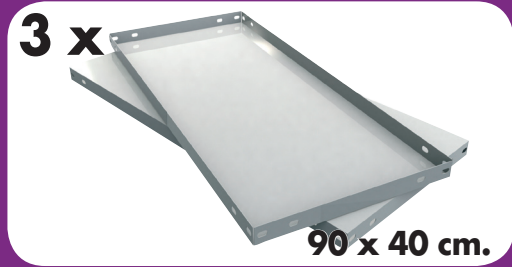


# 90 x 90 x 40 cm.



## Advantage 3/400



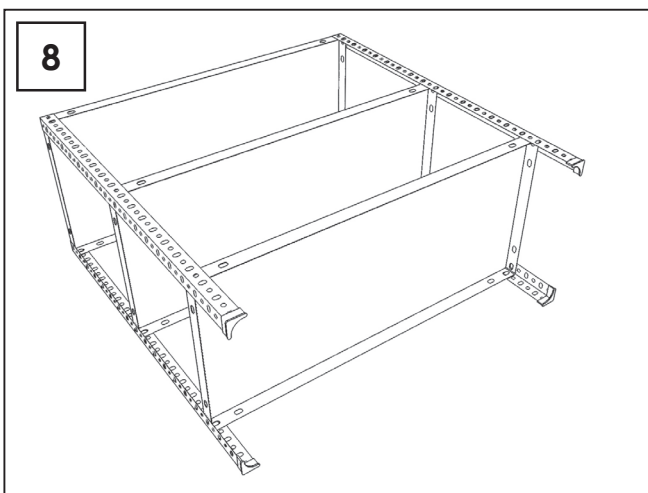
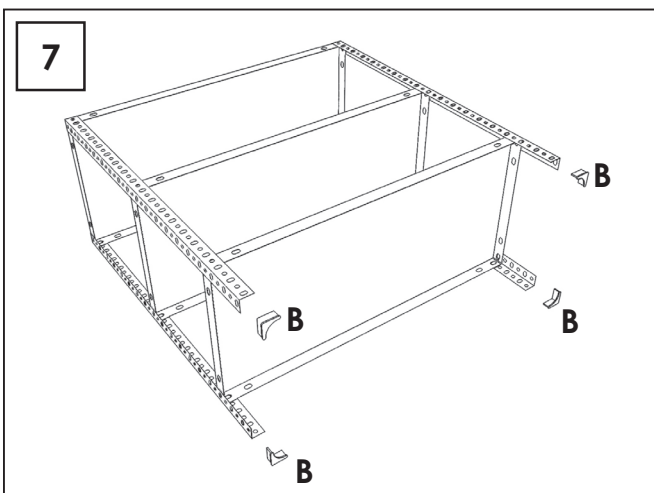
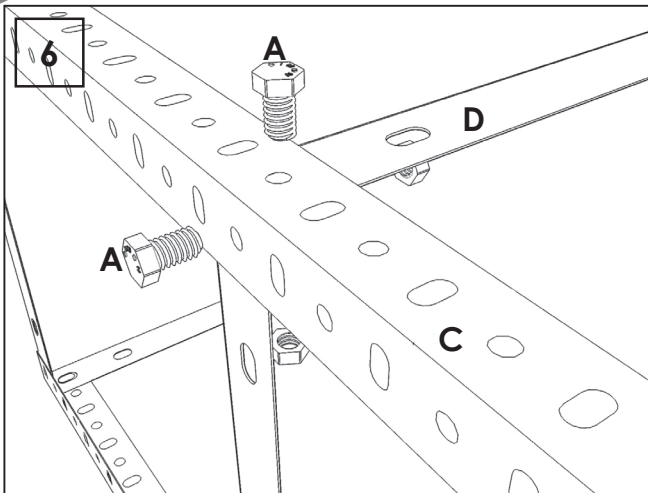
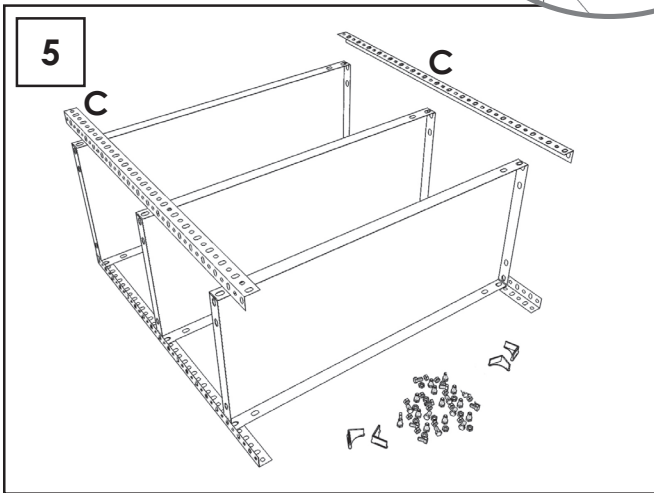
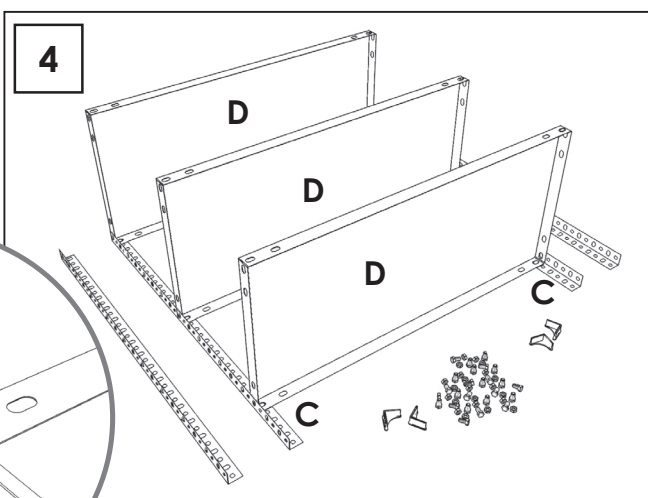
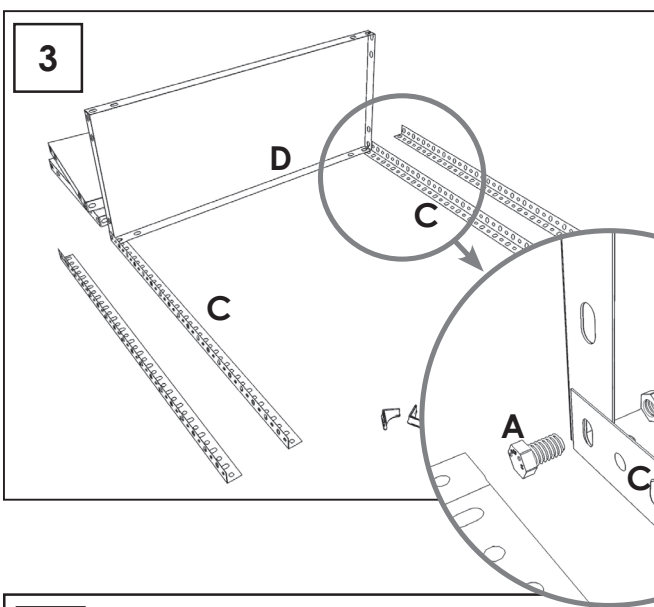
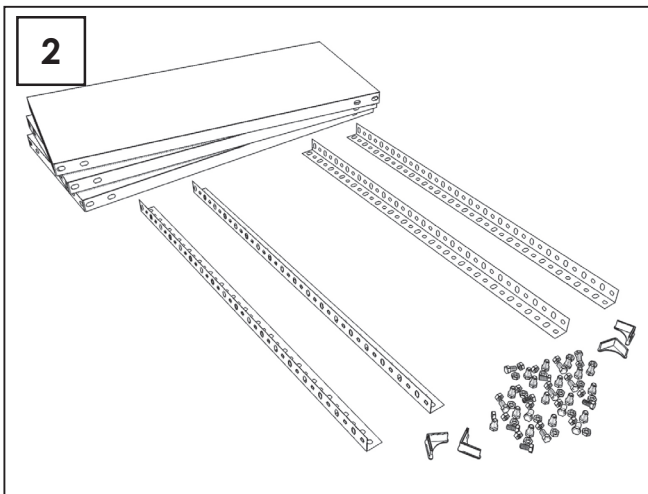
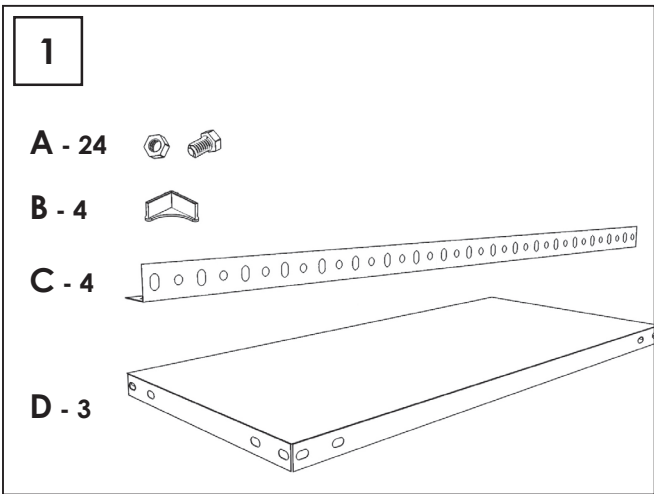
On-line instructions: [www.simonrack.com/instructions](http://www.simonrack.com/instructions) LOGIN: 120753

MADE IN EUROPE

[www.simonrack.com](http://www.simonrack.com)



INSTRUCTIONS



On-line instructions: [www.simonrack.com/instructions](http://www.simonrack.com/instructions)

LOGIN: 120753

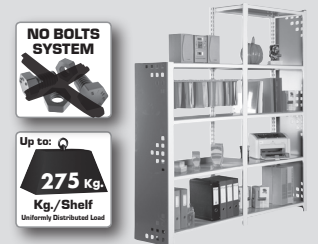
### SIMONCLASSIC



### SIMONCLICK



### OFFCLICK



### SIMONFORTE



### SIMONCROMO



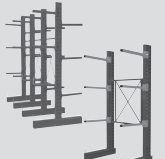
### SIMONINOX



### SIMONTITAN



### SIMONLEVER



### SIMONPALET

