

180 x 90 x 50 cm

70.8" x 35.4" x 19.6"

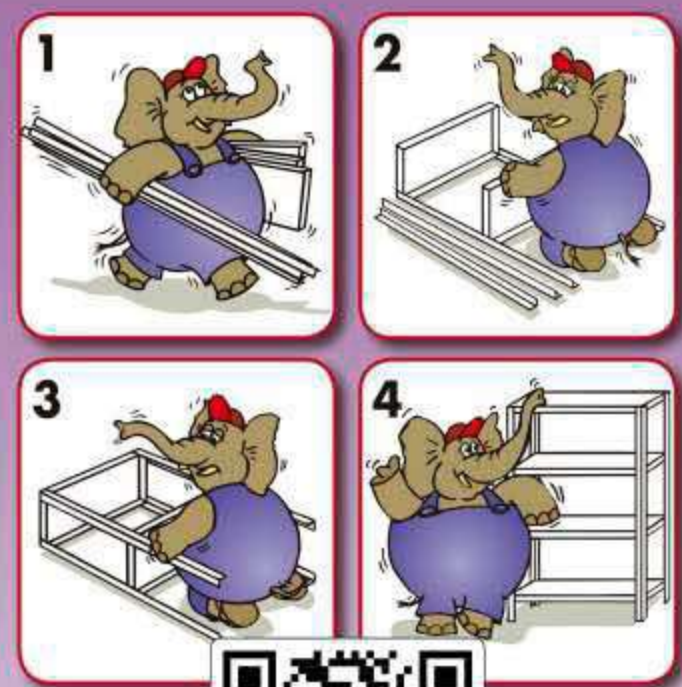
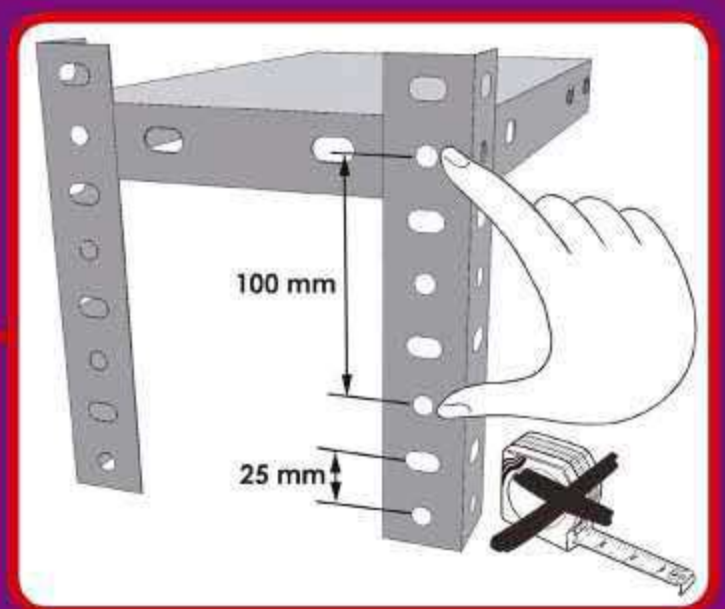
ADVANTAGE 5/500



Simon Rack
SINCE 1964 MANUFACTURER



375 kg (827 lb) Total



*MEDIDAS EN USO / USED MEASUREMENTS / MASSNAHMEN IM EINSATZ / MESURES EN EMPLOI / MEDIDAS EM USO:
1800 x 910 x 510 mm (70.8" x 35.8" x 20.1")



www.simonrack.com



INSTRUCTIONS

